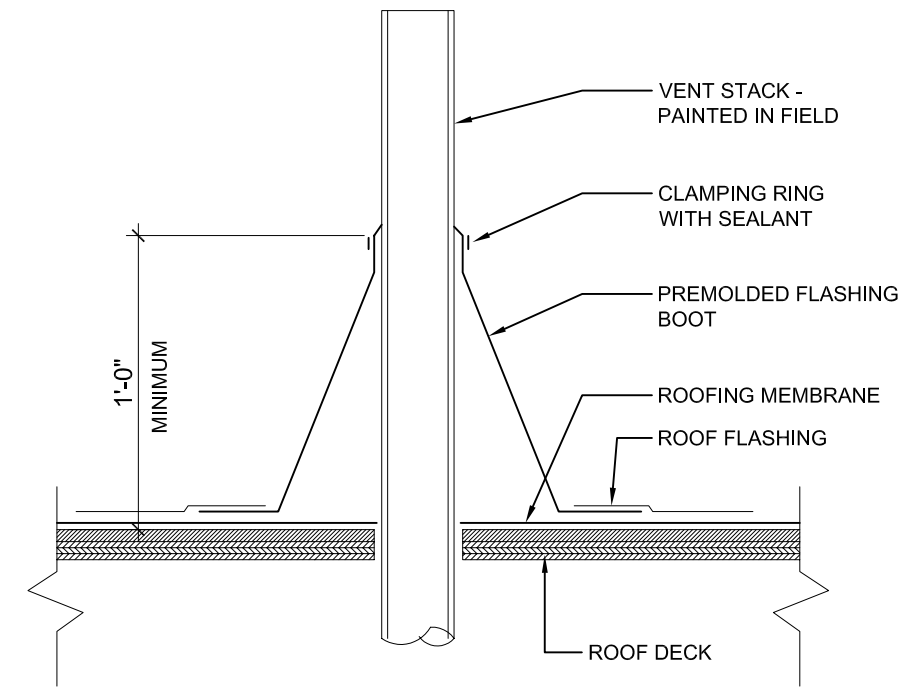
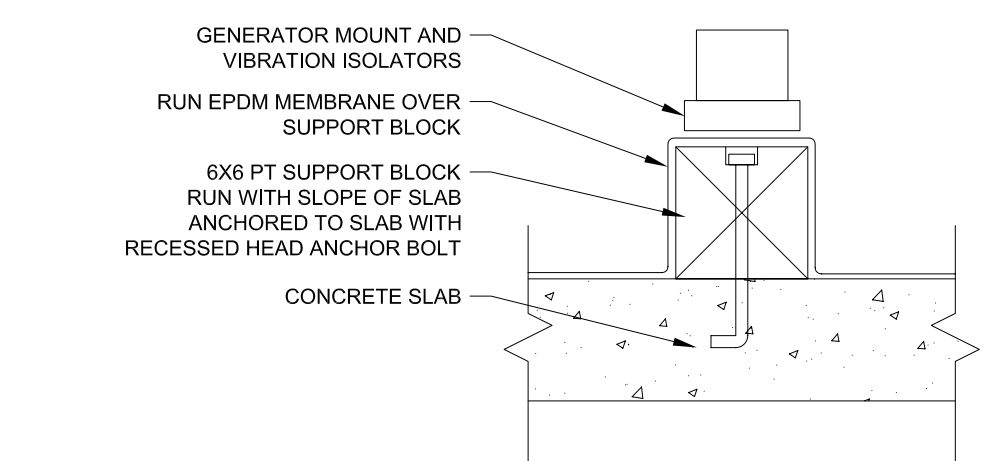


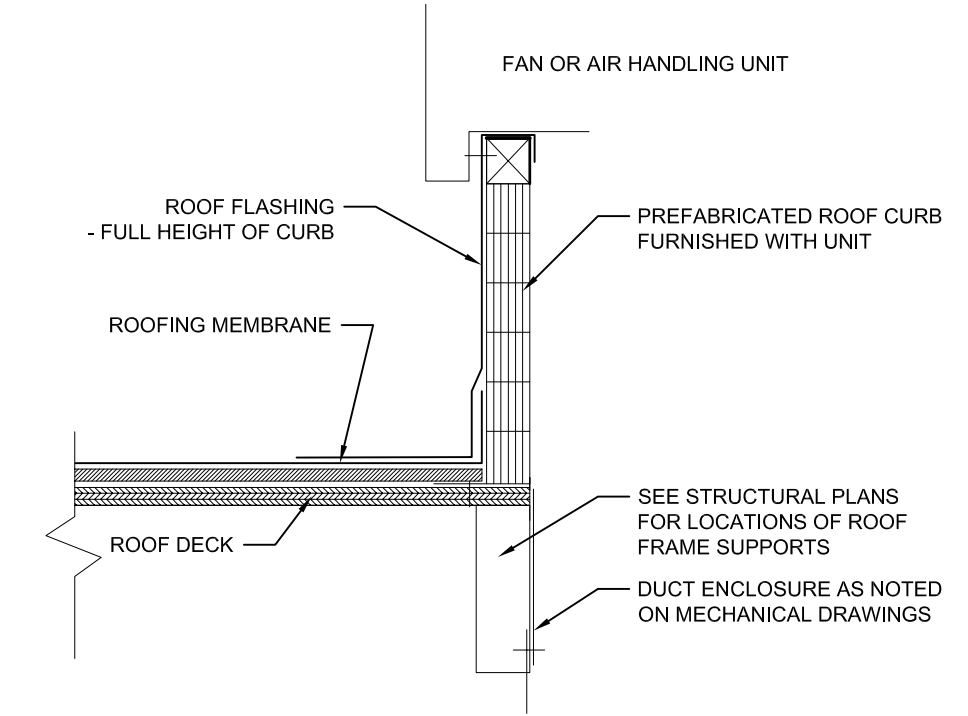
10 SECTION DETAIL AT TYPICAL ROOF EDGE
 A5.8 3" = 1'-0"



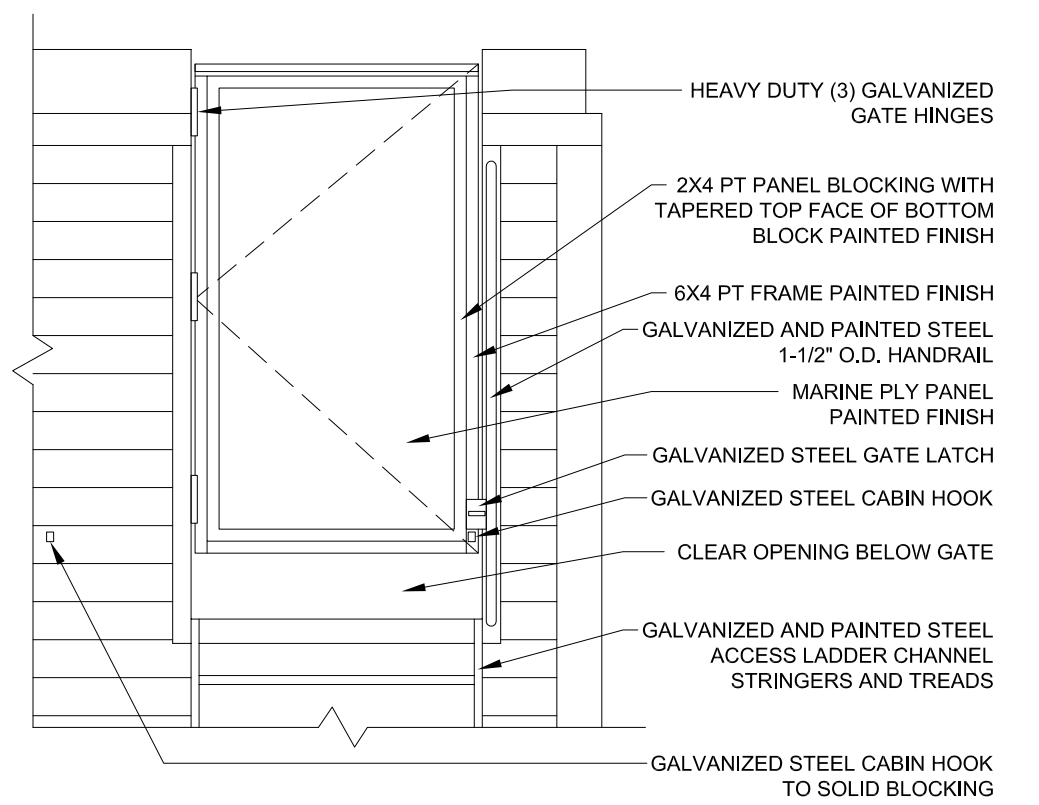
9 SECTION DETAIL AT TYPICAL ROOF PIPE PENETRATION
 A5.8 1-1/2" = 1'-0"



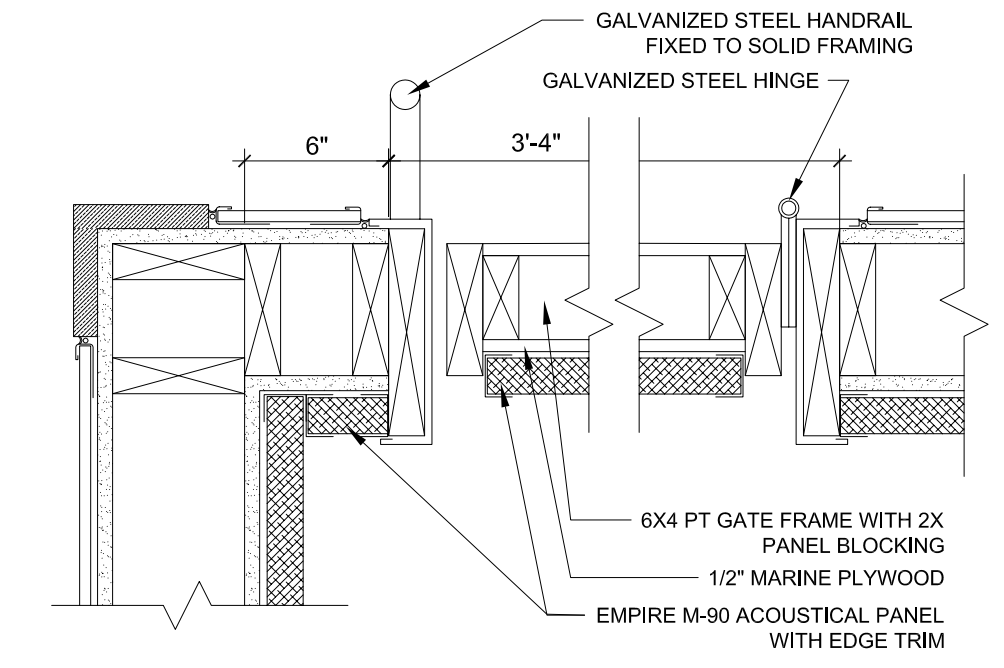
5A GENERATOR MOUNTING BLOCK DETAIL AT SLAB
 A5.8 1/2" = 1'-0"



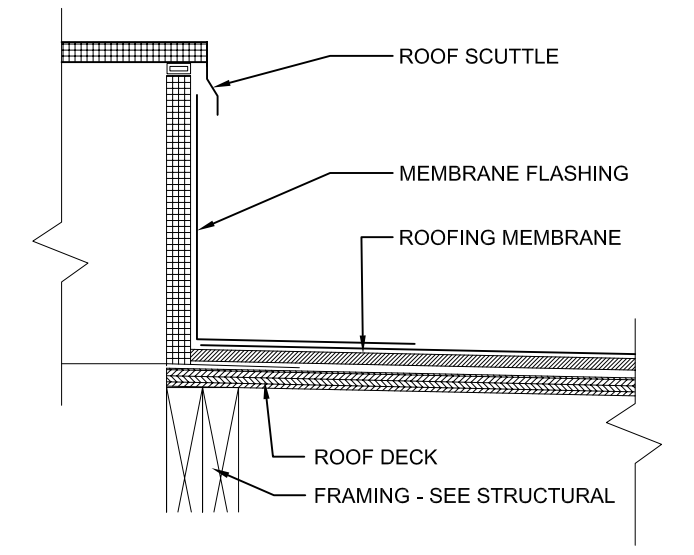
8 SECTION DETAIL AT MECHANICAL CURB TYPICAL
 A5.8 1-1/2" = 1'-0"



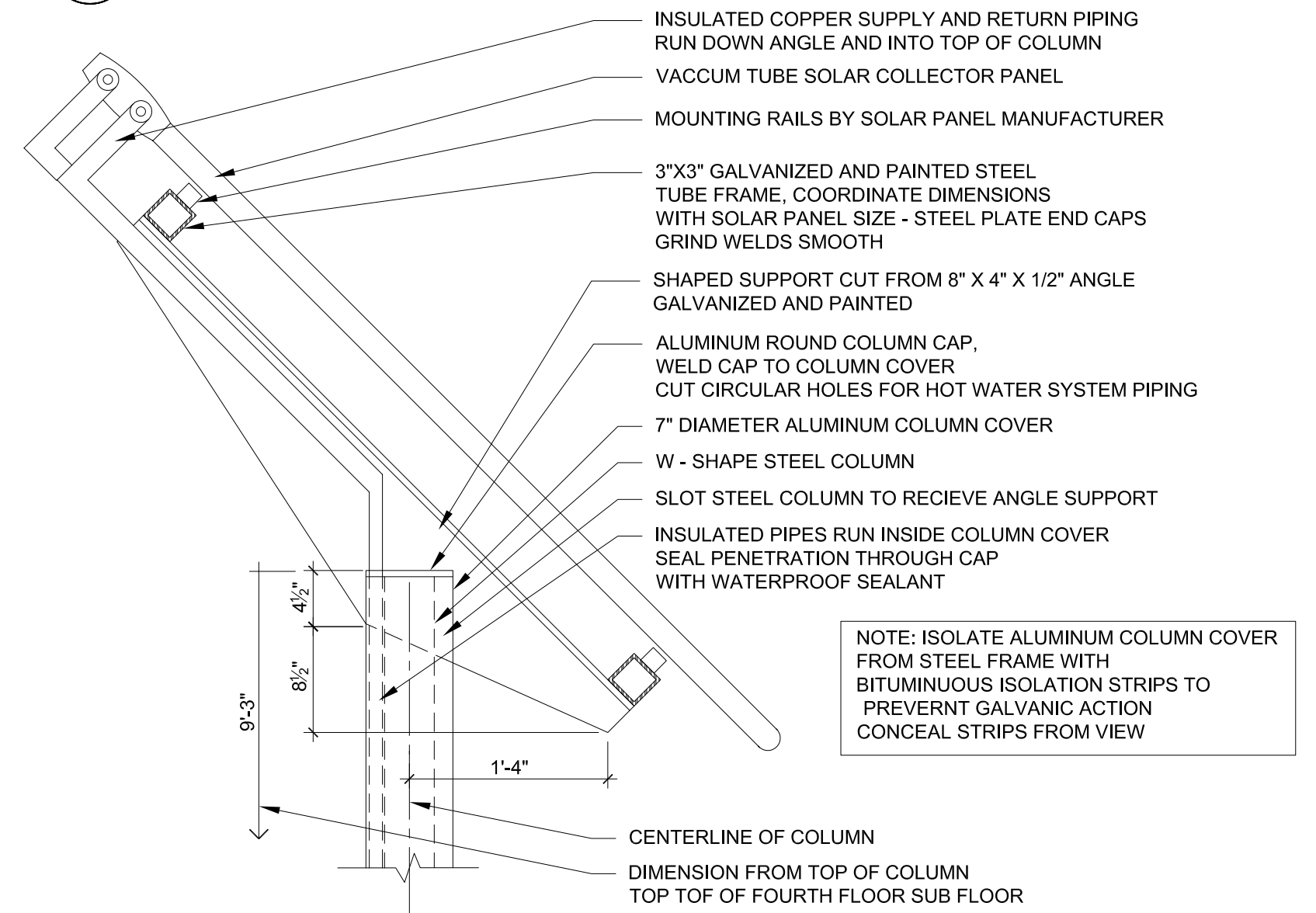
5 GENERATOR ENCLOSURE ACCESS DOOR ELEVATION
 A5.8 1/2" = 1'-0"



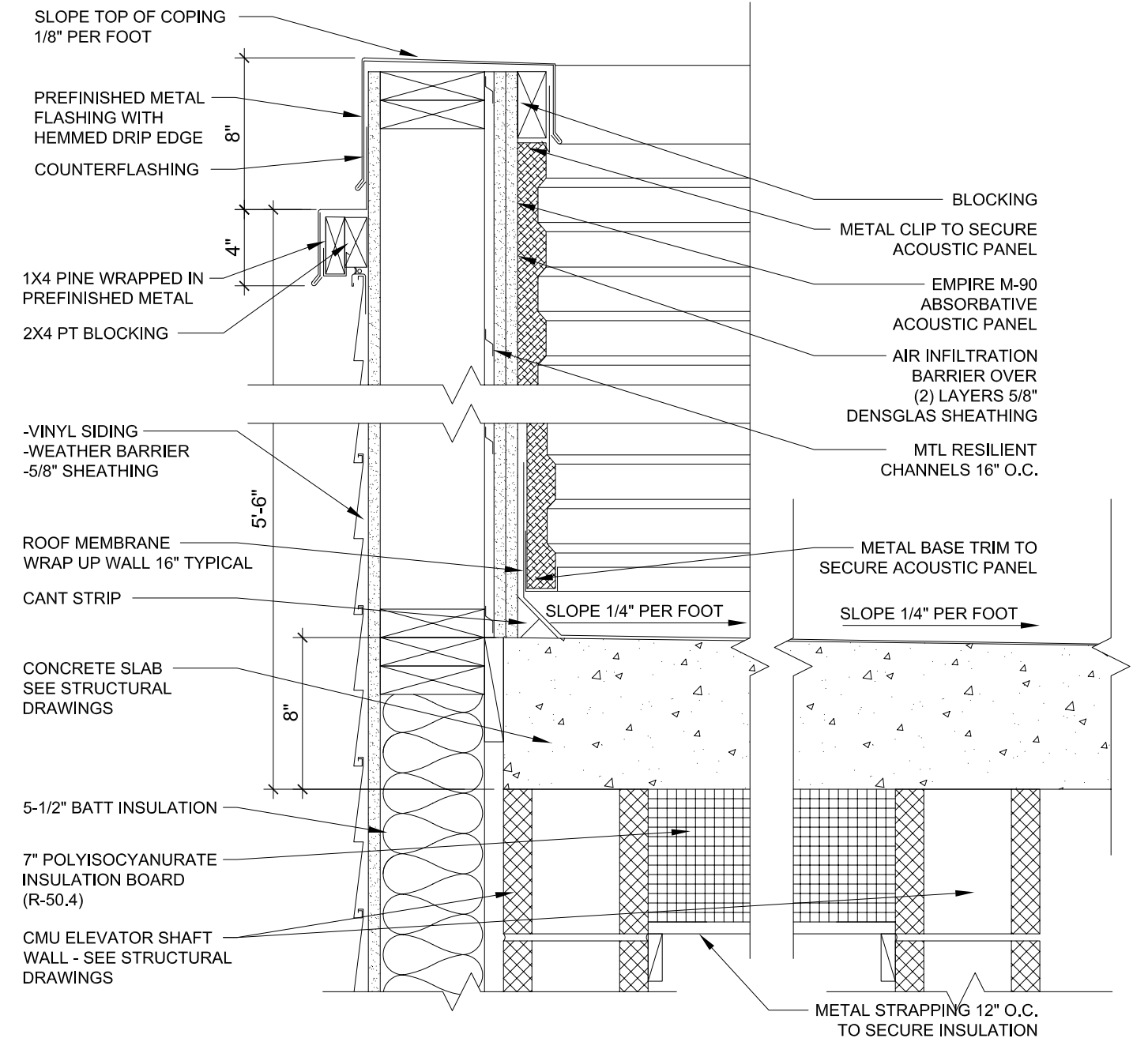
2 GENERATOR ENCLOSURE PLAN DETAIL AT ACCESS DOOR
 A5.8 1-1/2" = 1'-0"



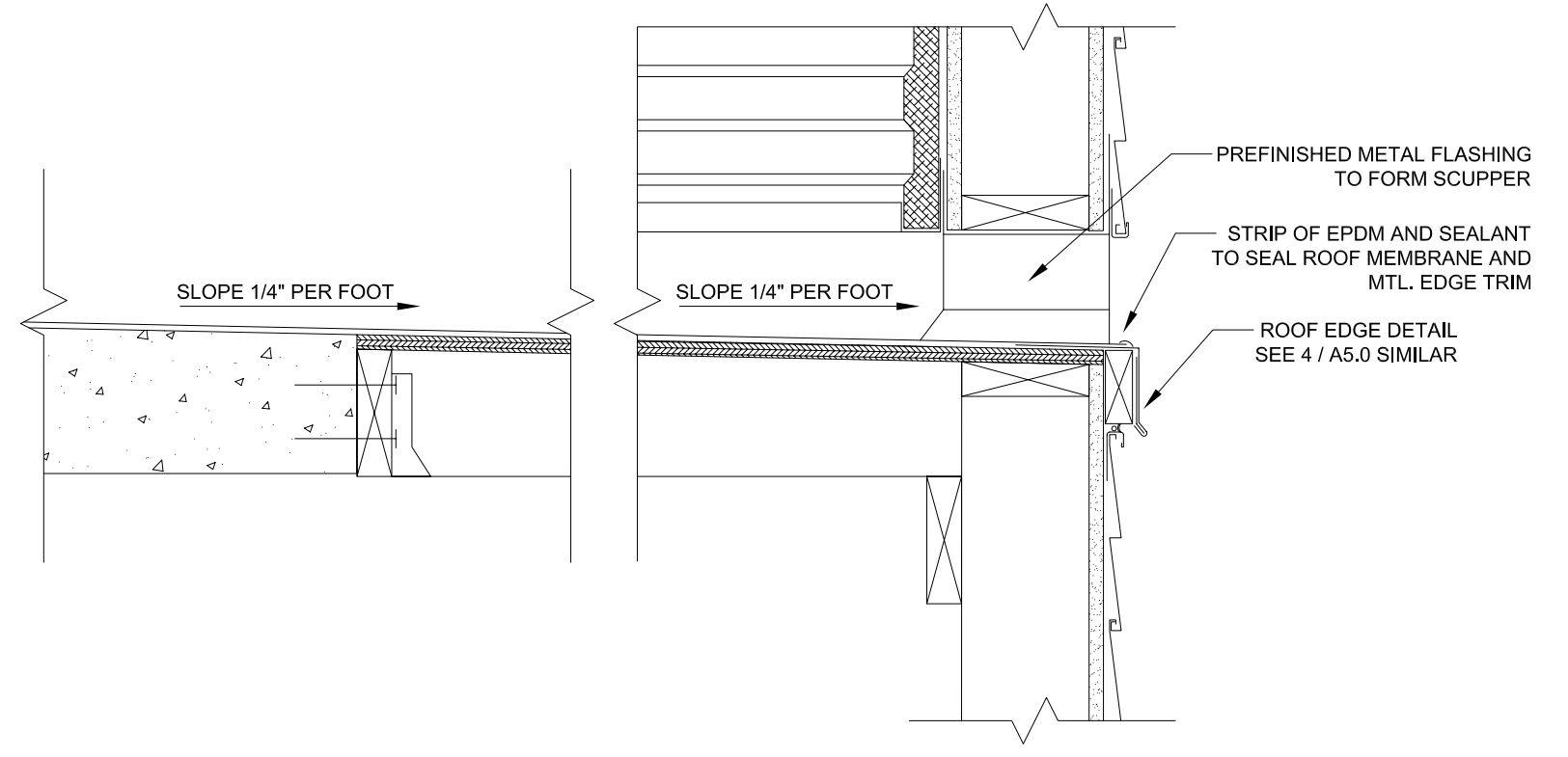
7 SECTION DETAIL AT ROOF HATCH
 A5.8 1-1/2" = 1'-0"



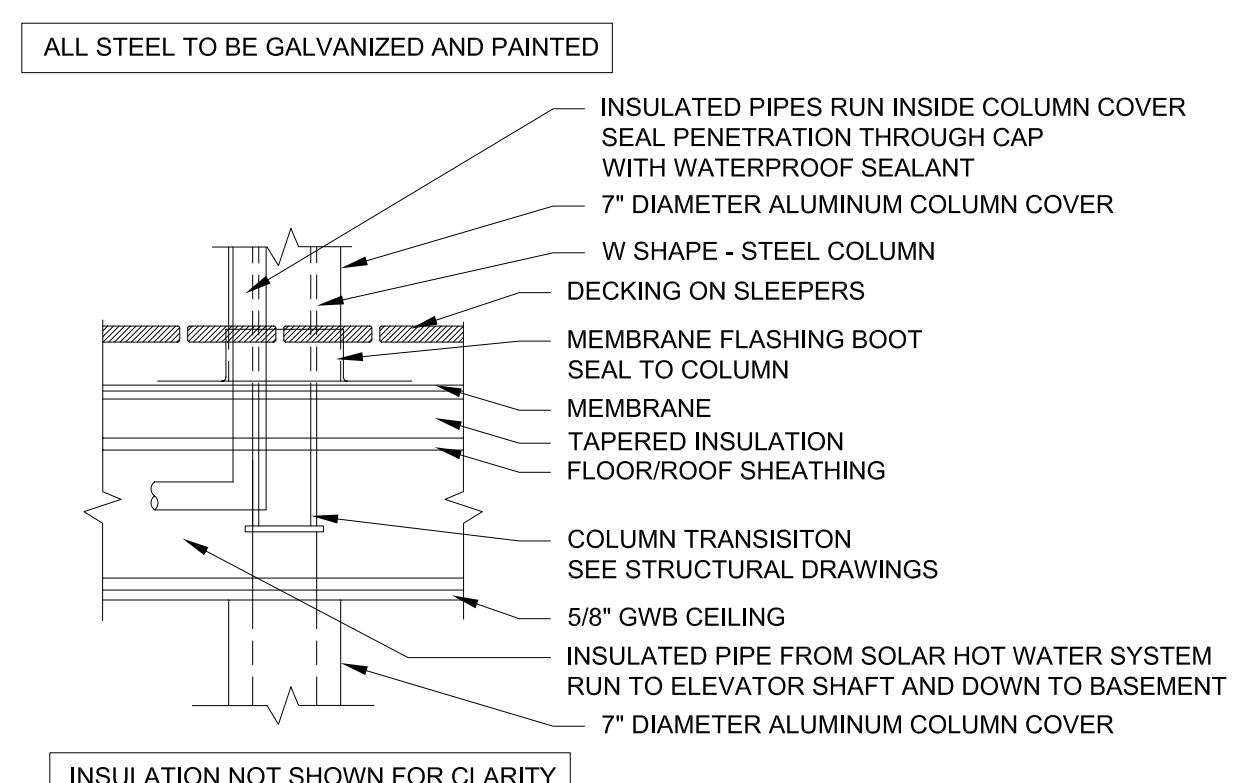
6 SECTION DETAIL AT SOLAR COLLECTOR FRAME SUPPORT
 A5.8 1" = 1'-0"



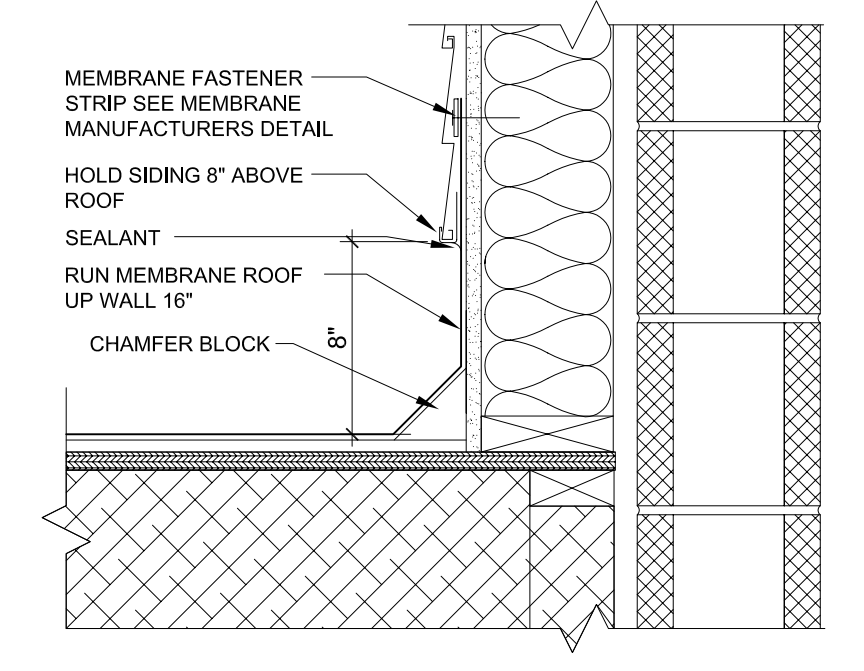
4 ELEVATOR PENTHOUSE / GENERATOR ENCLOSURE DETAIL
 A5.8 1-1/2" = 1'-0"



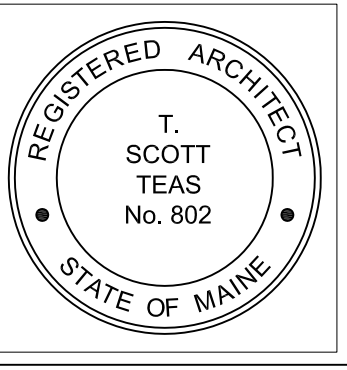
1 GENERATOR ENCLOSURE SCUPPER DETAIL
 A5.8 1-1/2" = 1'-0"



6A SECTION DETAIL AT SOLAR COLLECTOR COLUMN / DECK PENETRATION
 A5.8 1" = 1'-0"



3 ELEVATOR PENTHOUSE / ROOF DETAIL
 A5.8 1-1/2" = 1'-0"



© 2007 TFH ARCHITECTS

BAYSIDE EAST
 PROPOSED ELDERLY HOUSING
 47 SMITH STREET, PORTLAND
 FOR BAYSIDE EAST LP

TFH ARCHITECTS
 100 COMMERCIAL STREET
 PORTLAND MAINE 04101
 TELEPHONE 207 775 6141
 ARCHITECTURE PLANNING

CONSULTANTS:
 CIVIL: Pridmore and Greer Consulting Engineers
 350 US Route 1
 Falmouth, ME 04105
 207-781-5242
 STRUCTURAL: Structural Design Consulting
 22 Oakmont Drive
 206 Orchard Beach, ME 04054
 207-934-8038
 MECHANICAL AND ELECTRICAL: Bennett Engineering
 7 Bennett Road
 Friesort, ME 04032
 207-865-9475

REVISIONS:

DATE: 05/18/07
 PROJECT No. 0514
 DRAWN BY: RJS
 CHECKED BY: TST
 SCALE: AS NOTED

SHEET TITLE:

DETAILS

A5.8