

© 2007 TFH ARCHITECTS

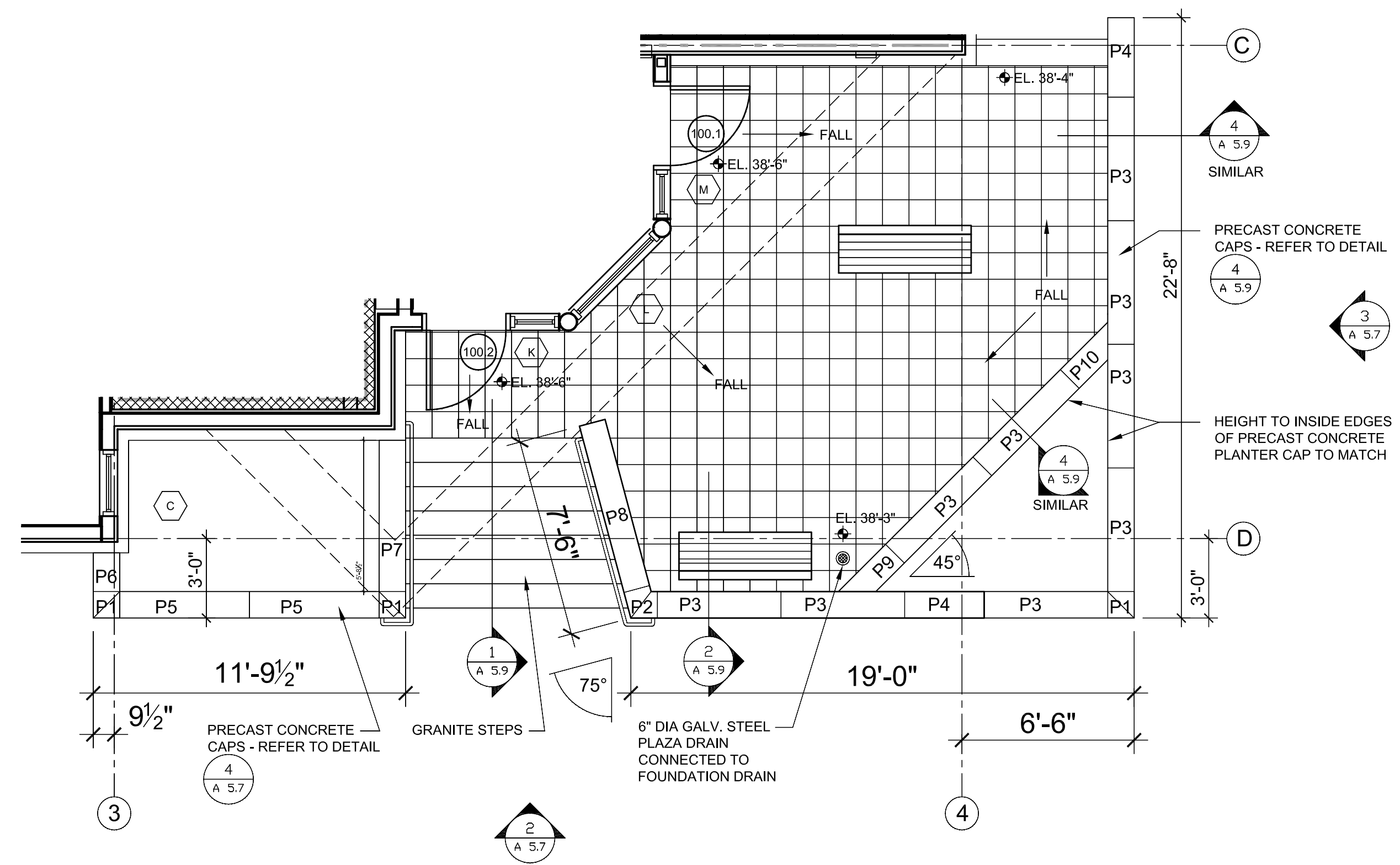
BAYSIDE EAST
 PROPOSED ELDERLY HOUSING
 47 SMITH STREET, PORTLAND
 FOR BAYSIDE EAST LP

TFH ARCHITECTS
 100 COMMERCIAL STREET
 PORTLAND MAINE 04101
 TELEPHONE 207 775 6141
 ARCHITECTURE PLANNING

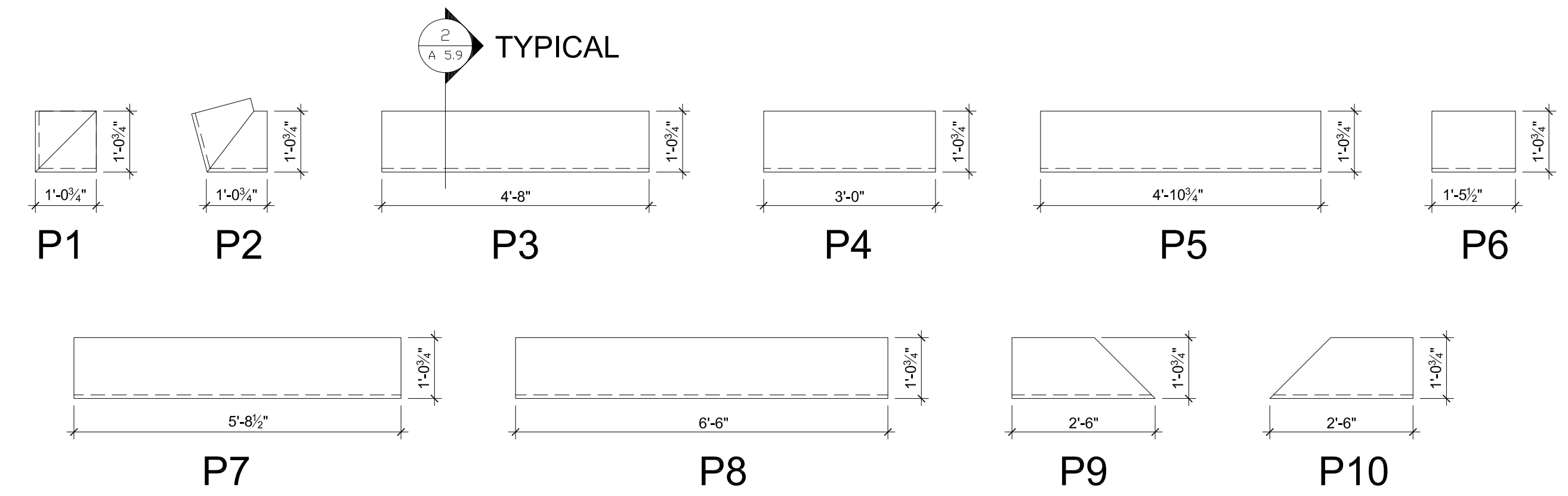
CONSULTANTS:
 CIVIL: Rinkham and Greer Consulting Engineers
 380 US. Route 1
 Falmouth, ME 04105
 207-781-4242
 STRUCTURAL: Structural Design Consulting
 22 Oakmont Drive
 Old Orchard Beach, ME 04054
 207-934-6038
 MECHANICAL AND ELECTRICAL: Bennett Engineering
 7 Bennett Road
 Falmouth, ME 04102
 207-865-9475

REVISIONS:

DATE:	5. 18. 07
PROJECT No.	0514
DRAWN BY:	RJS
CHECKED BY:	TST
SCALE:	AS NOTED
SHEET TITLE:	DETAILS

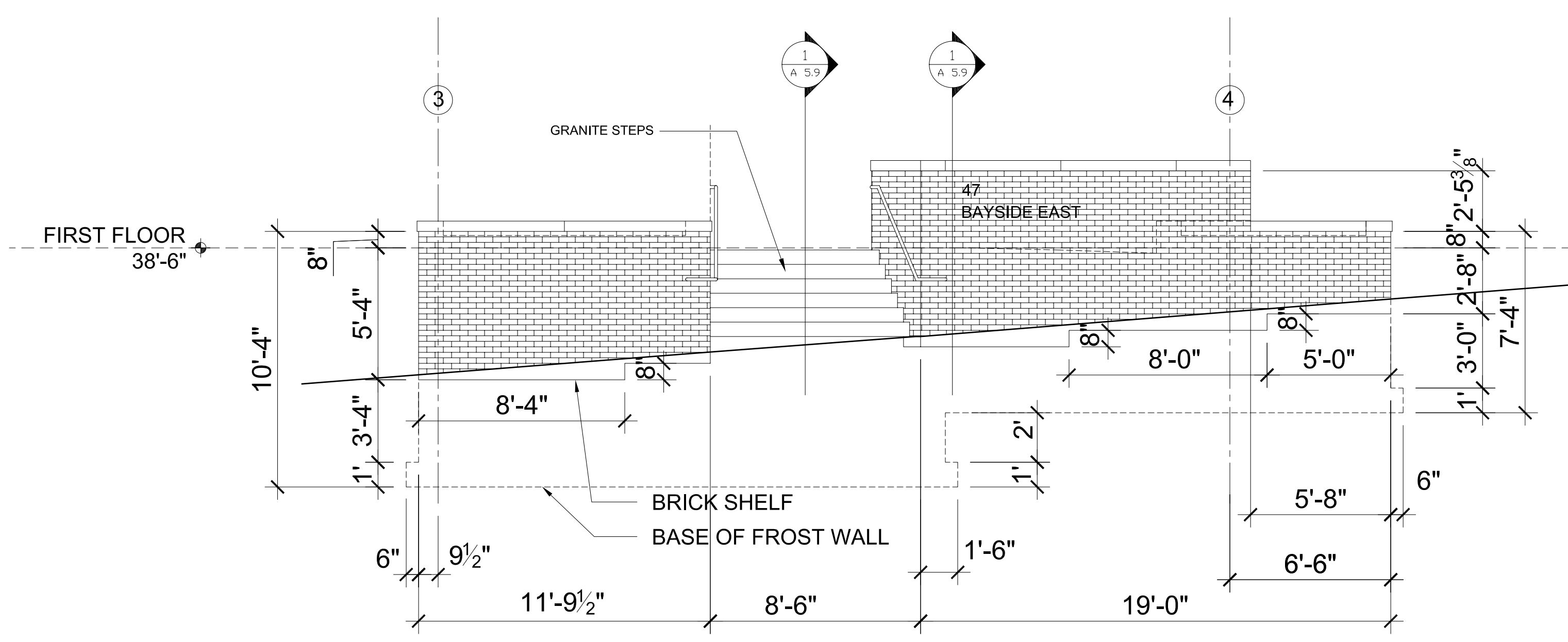


1 ENTRY COURTYARD - PLAN
 A5.7 1/4" = 1'-0"

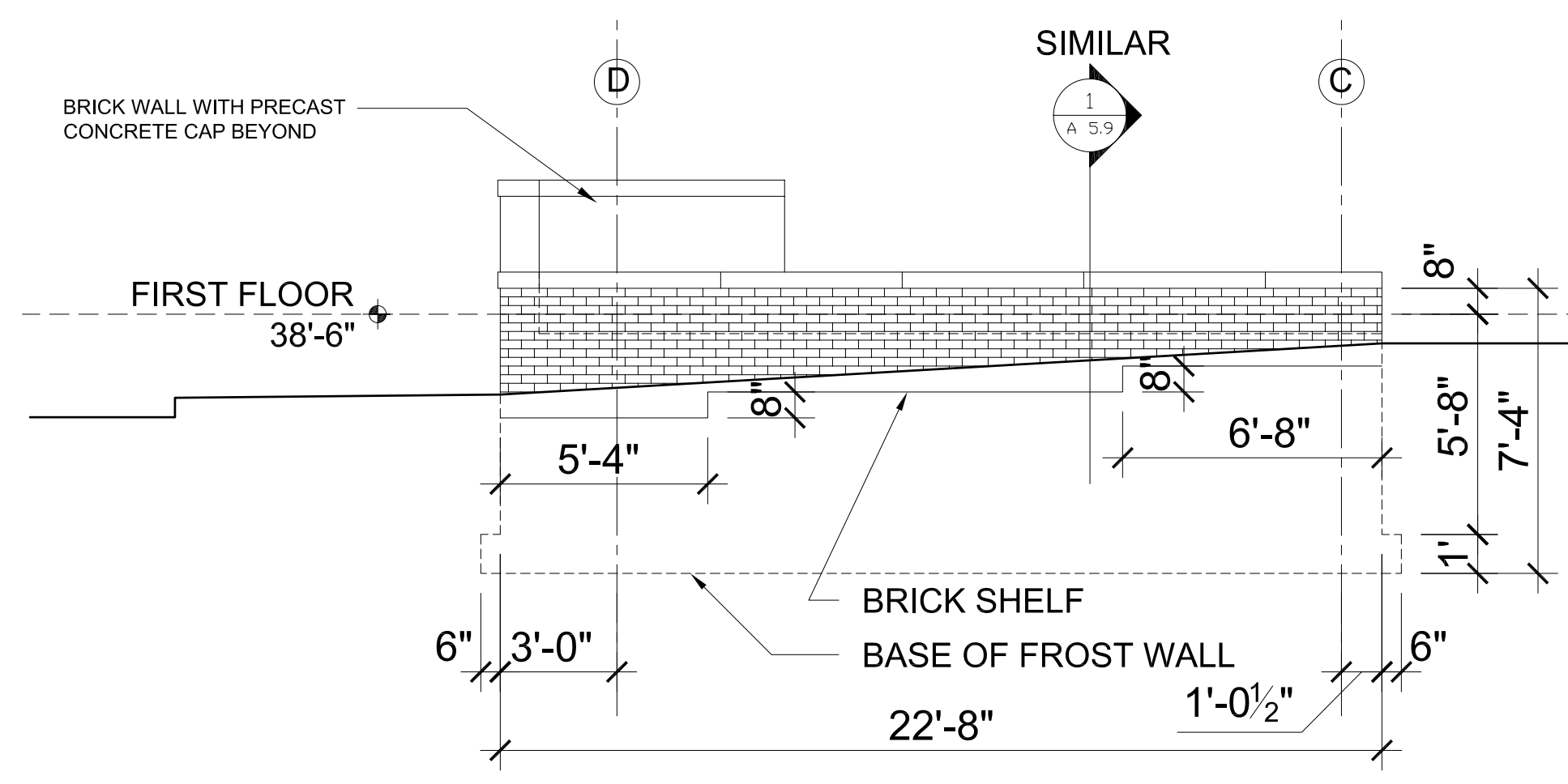


VERIFY ALL DIMENSIONS IN THE FIELD PRIOR TO CASTING

4 ENTRY COURTYARD - PRECAST CAPS
 A5.7 1/4" = 1'-0"



2 ENTRY COURTYARD - WEST ELEVATION
 A5.7 1/4" = 1'-0"



3 ENTRY COURTYARD - SOUTH ELEVATION
 A5.7 1/4" = 1'-0"