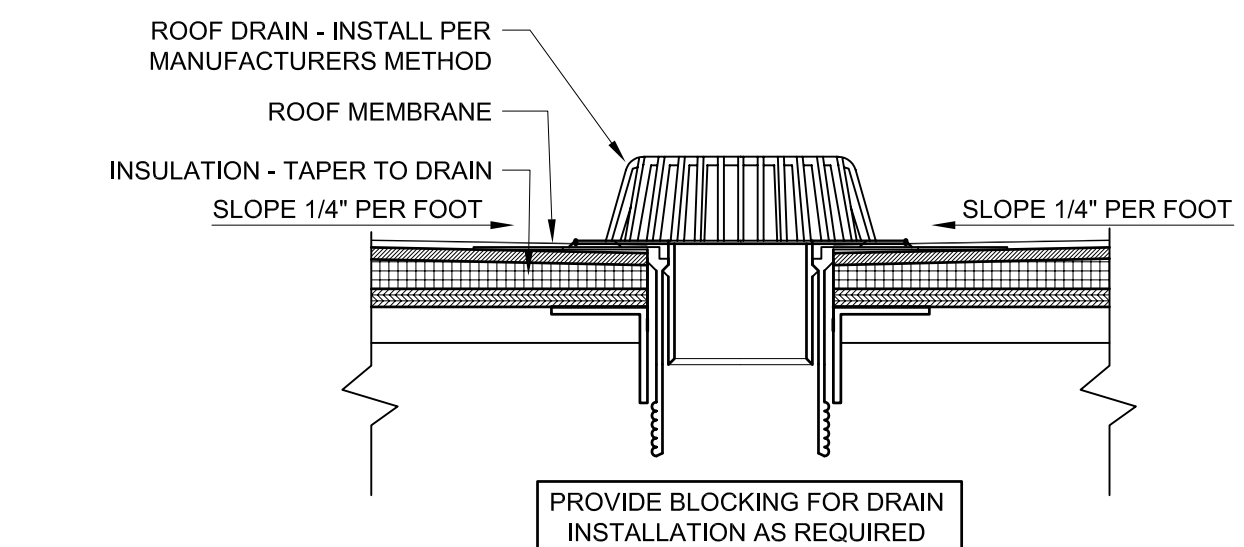
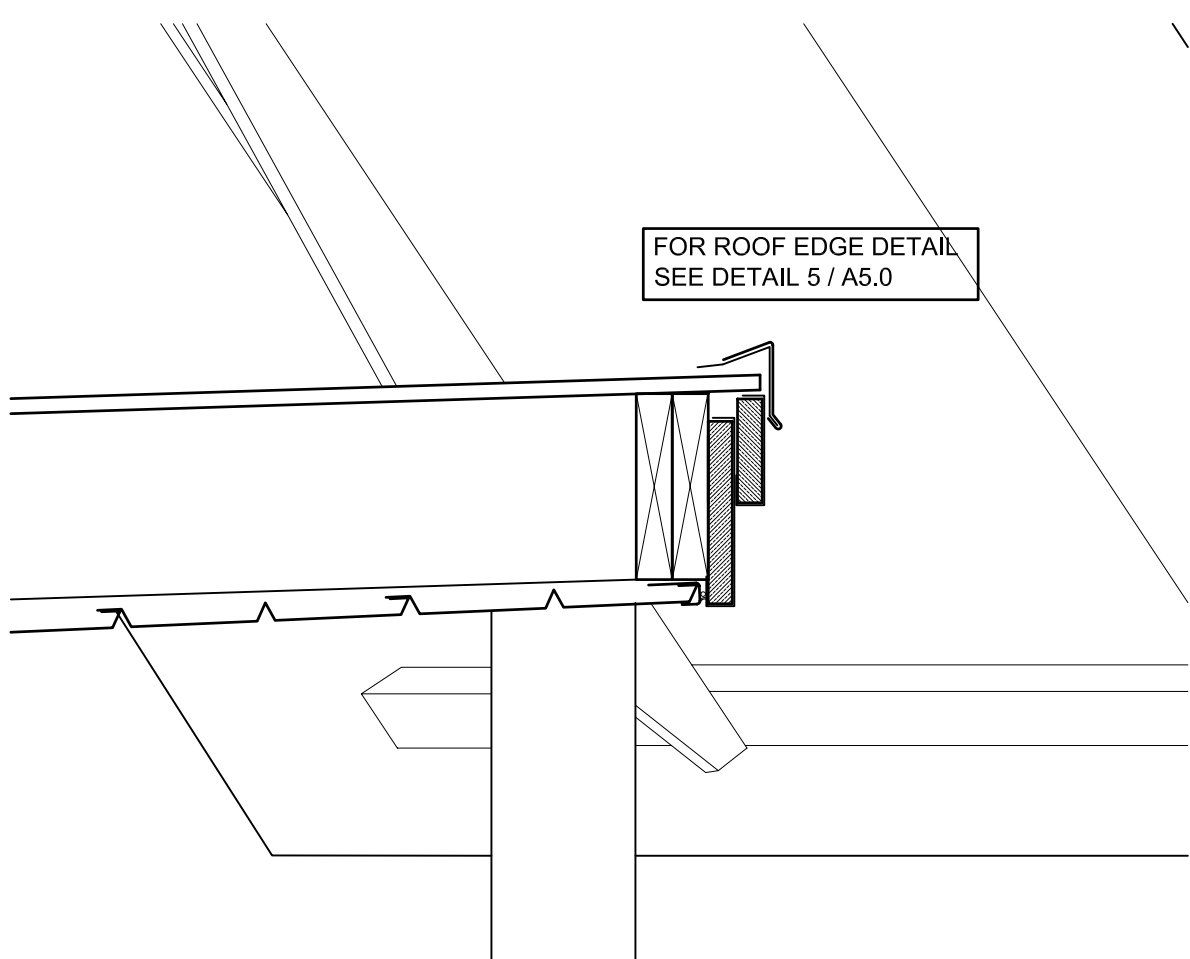


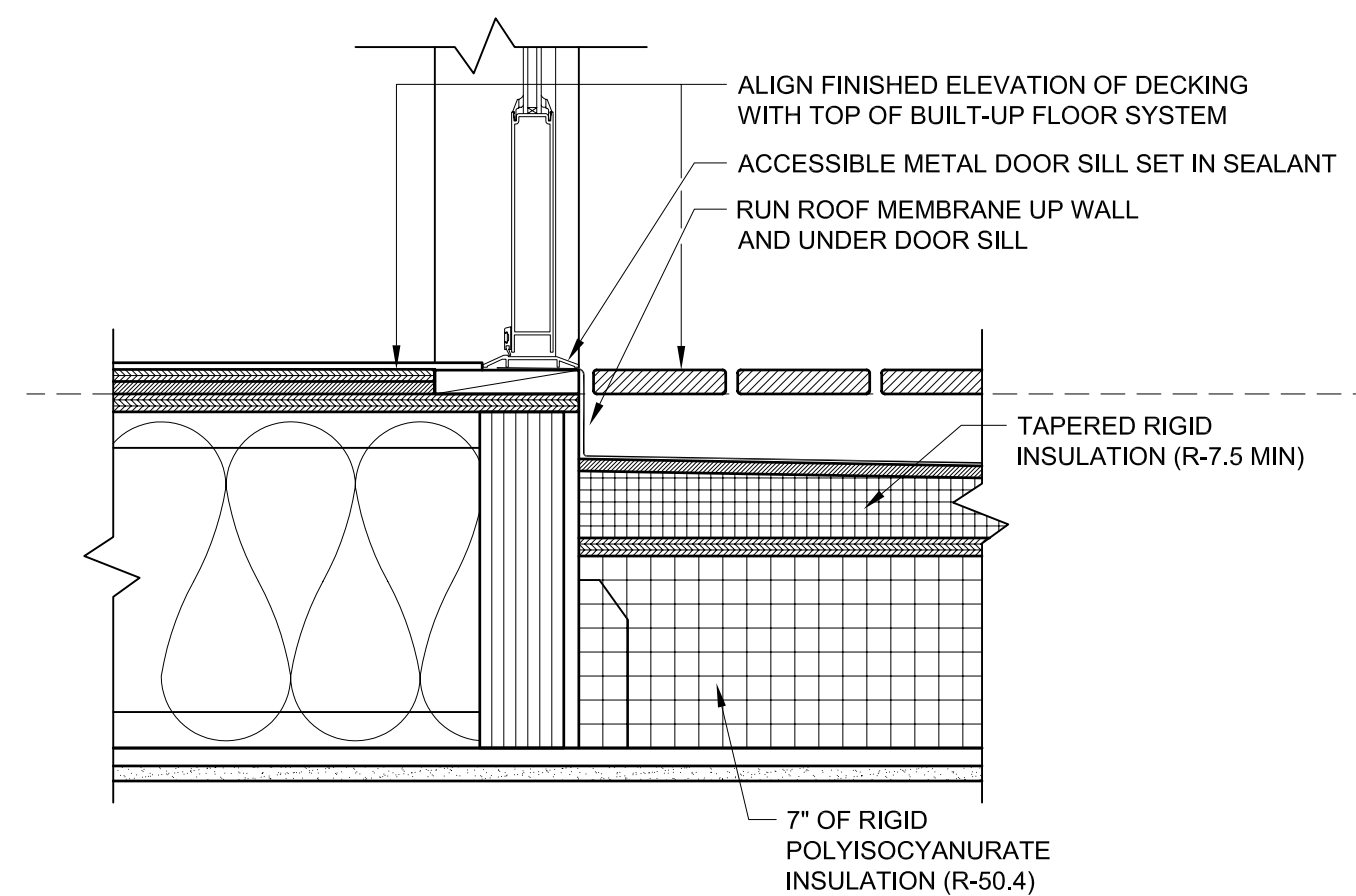
14 SECTION DETAIL AT DECK DRAIN  
A5.2 1 - 1/2" = 1'-0"



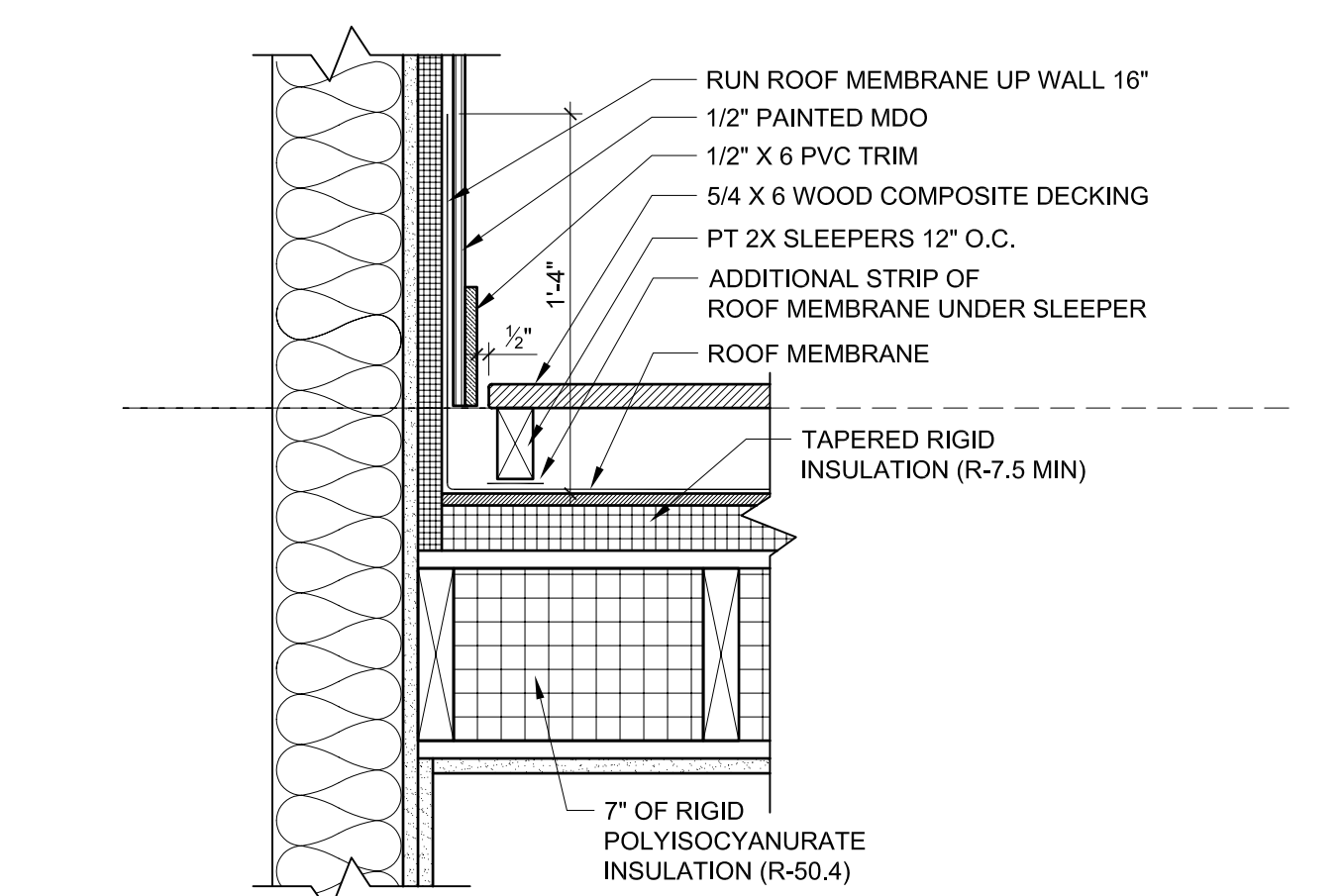
10 SECTION DETAIL AT TYPICAL ROOF DRAIN  
A5.2 1 - 1/2" = 1'-0"



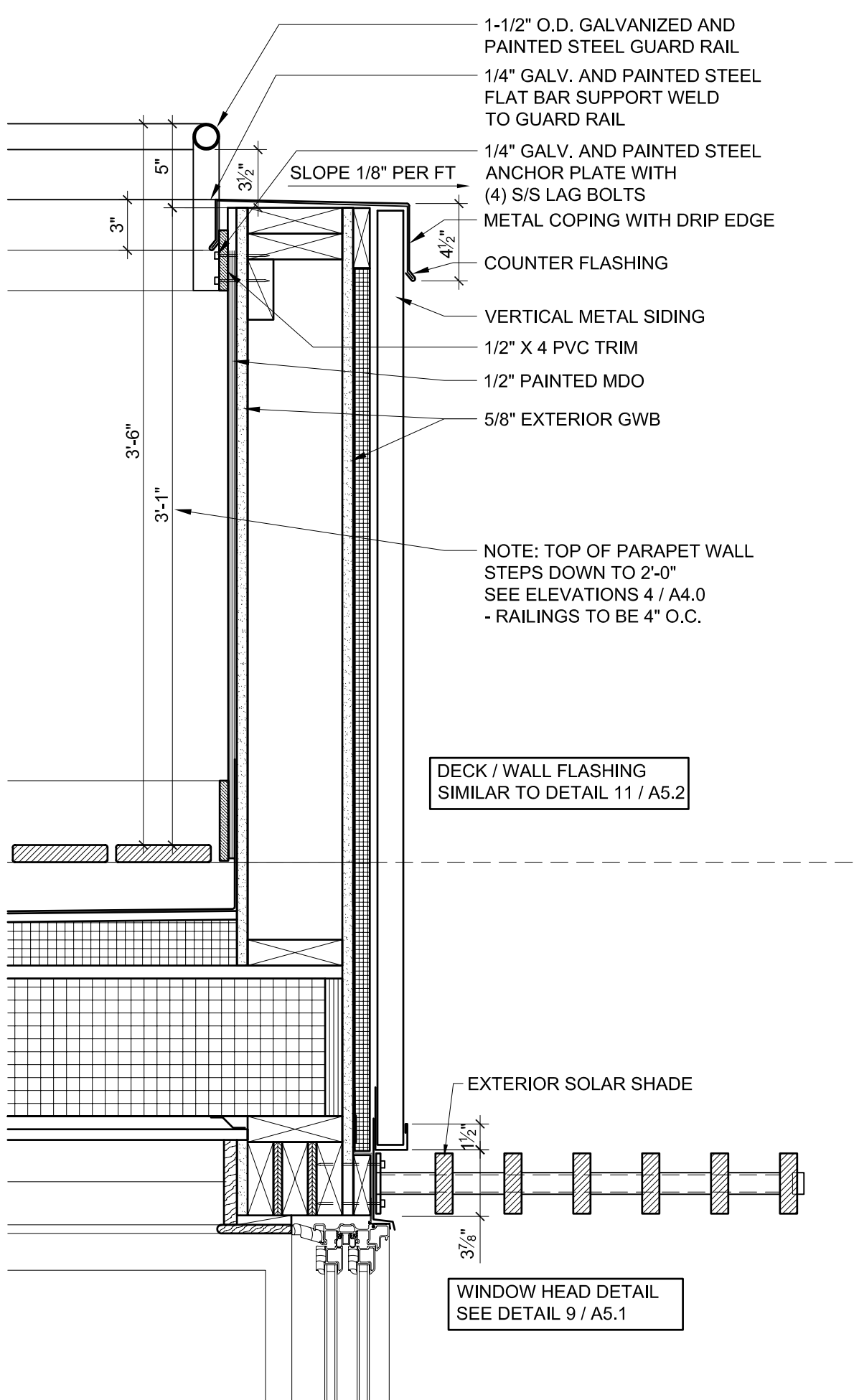
9 SECTION DETAIL AT SUN PORCH EAVE  
A5.2 1 - 1/2" = 1'-0"



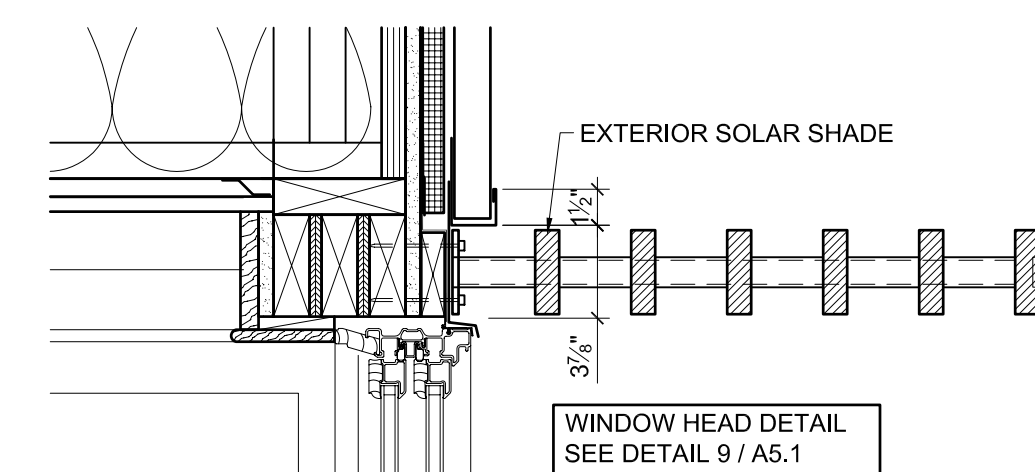
12 SECTION DETAIL AT SUN PORCH DOOR SILL  
A5.2 1 - 1/2" = 1'-0"



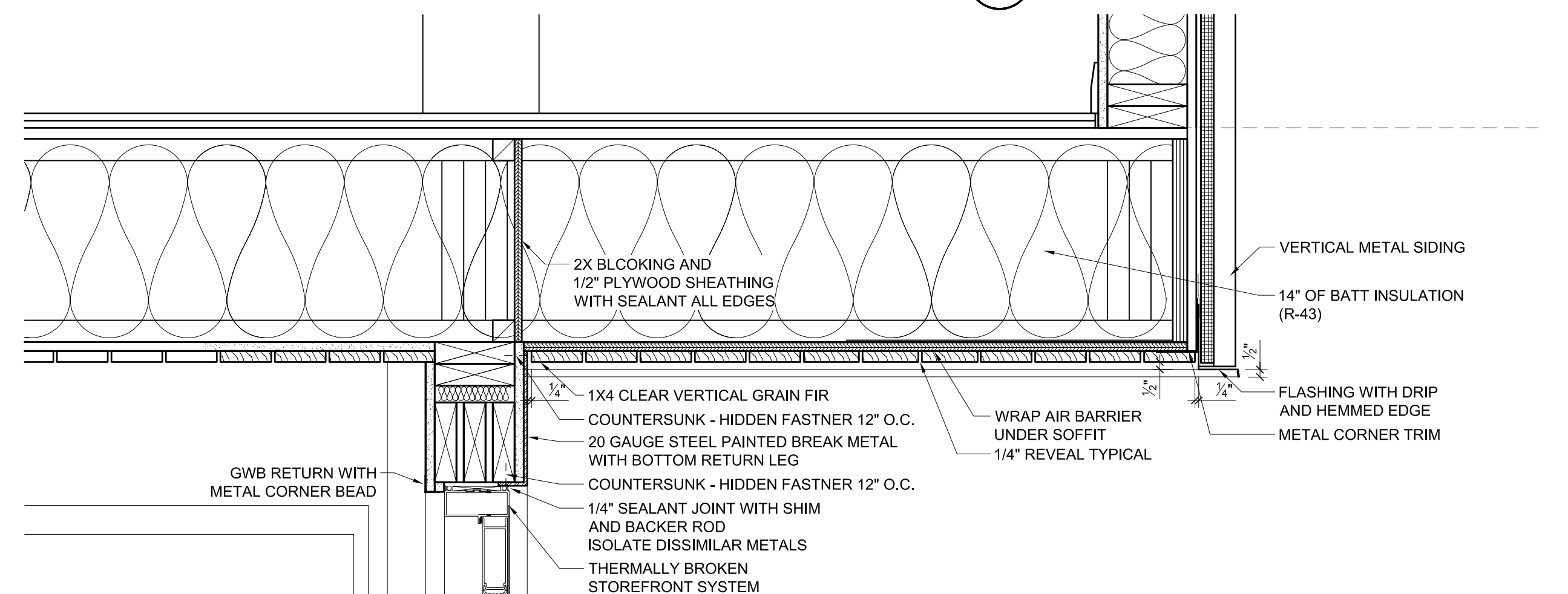
11 SECTION DETAIL AT SUN PORCH DECK / WALL  
A5.2 1 - 1/2" = 1'-0"



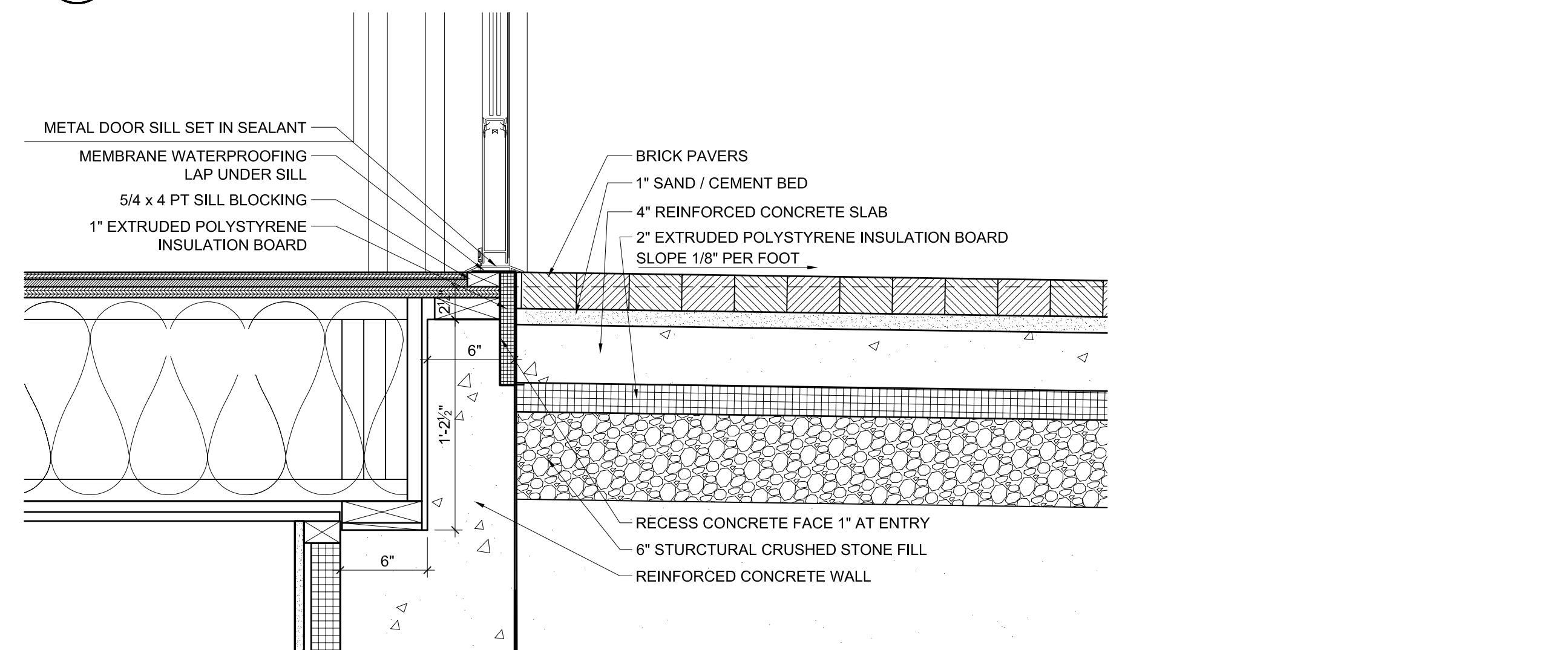
8 SECTION DETAIL AT SUN PORCH WALL  
A5.2 1 - 1/2" = 1'-0"



3 SECTION DETAIL AT ENTRY SOLAR SCREEN  
A5.2 1 - 1/2" = 1'-0"



2 SECTION DETAIL AT EXTERIOR DOOR SILL AND OVERHANG  
A5.2 1 - 1/2" = 1'-0"



1 SECTION DETAIL AT EXTERIOR DOOR SILL  
A5.2 1 - 1/2" = 1'-0"