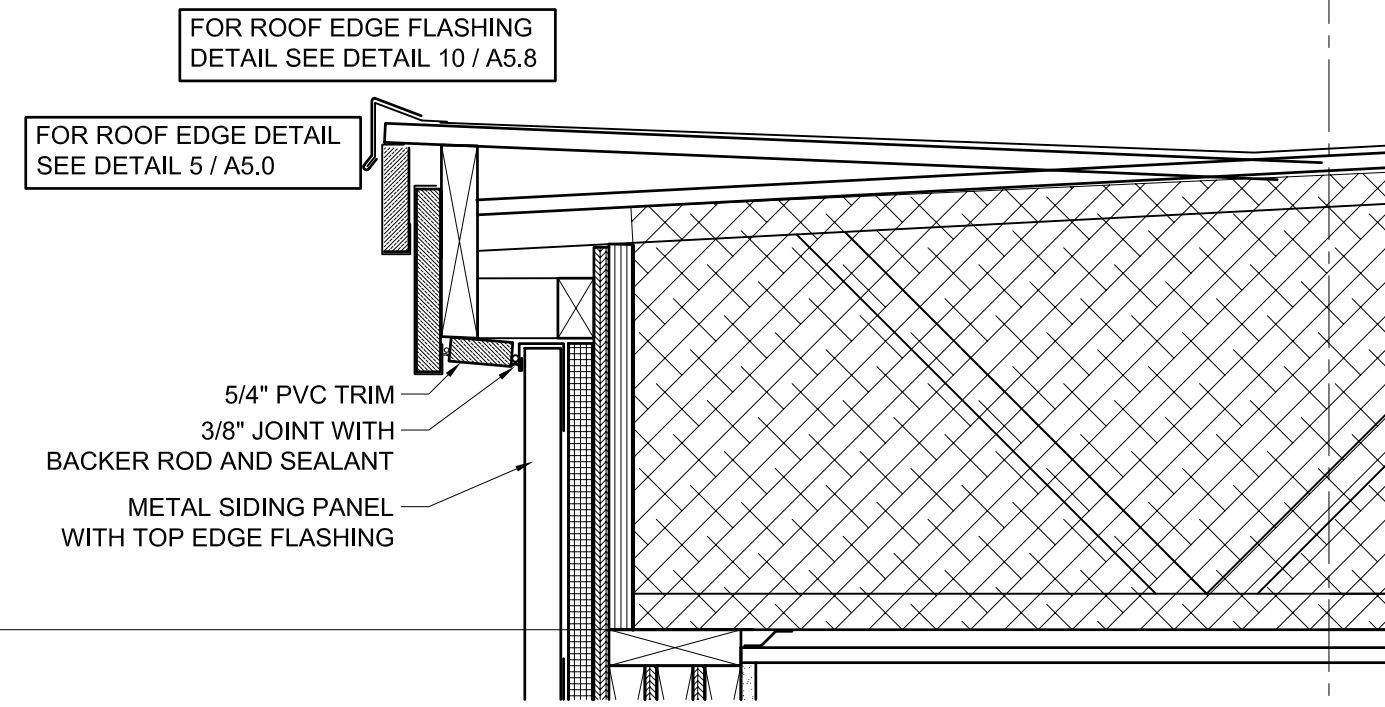
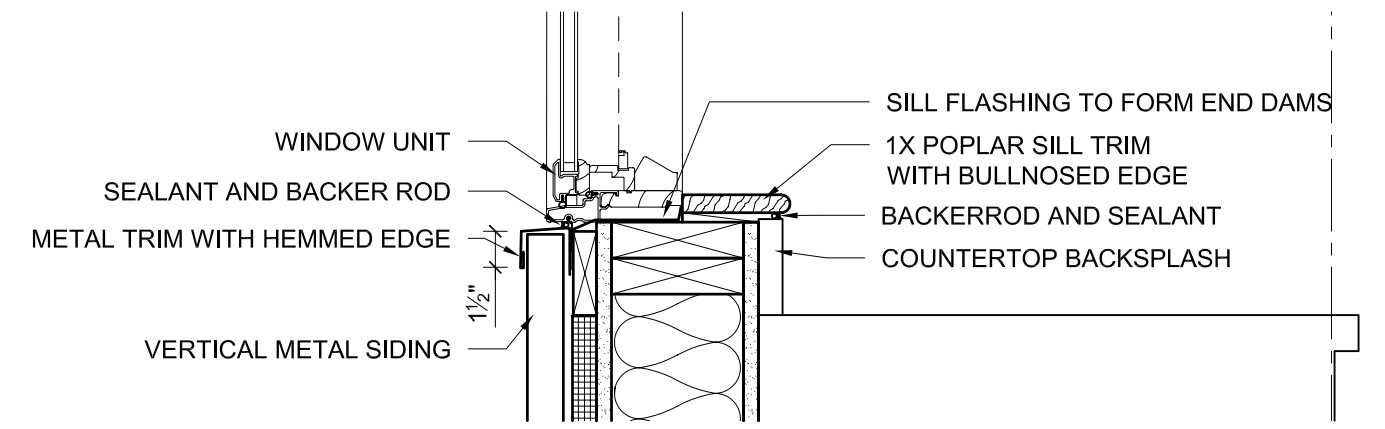


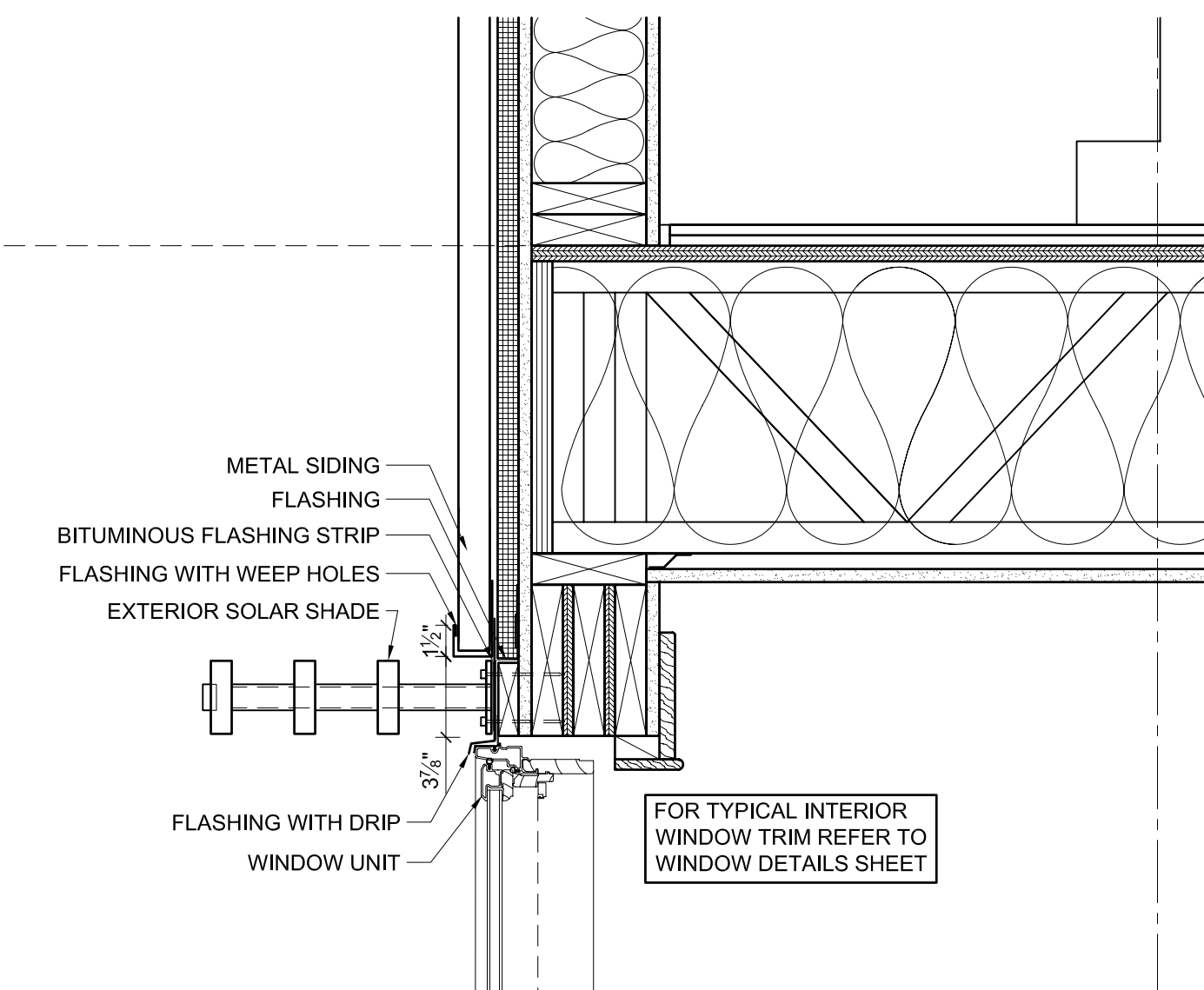
NOTE: SECTION DETAILS SHOW WINDOW HEAD TRIM AS WOOD WHICH IS ADD ALTERNATE # 3. THE BASE BID WILL BE FOR DRYWALL RETURNS AT HEAD AND JAMB OF WINDOWS SEE DETAILS ( 3/A7.0 ) and ( 4 /A7.0 )



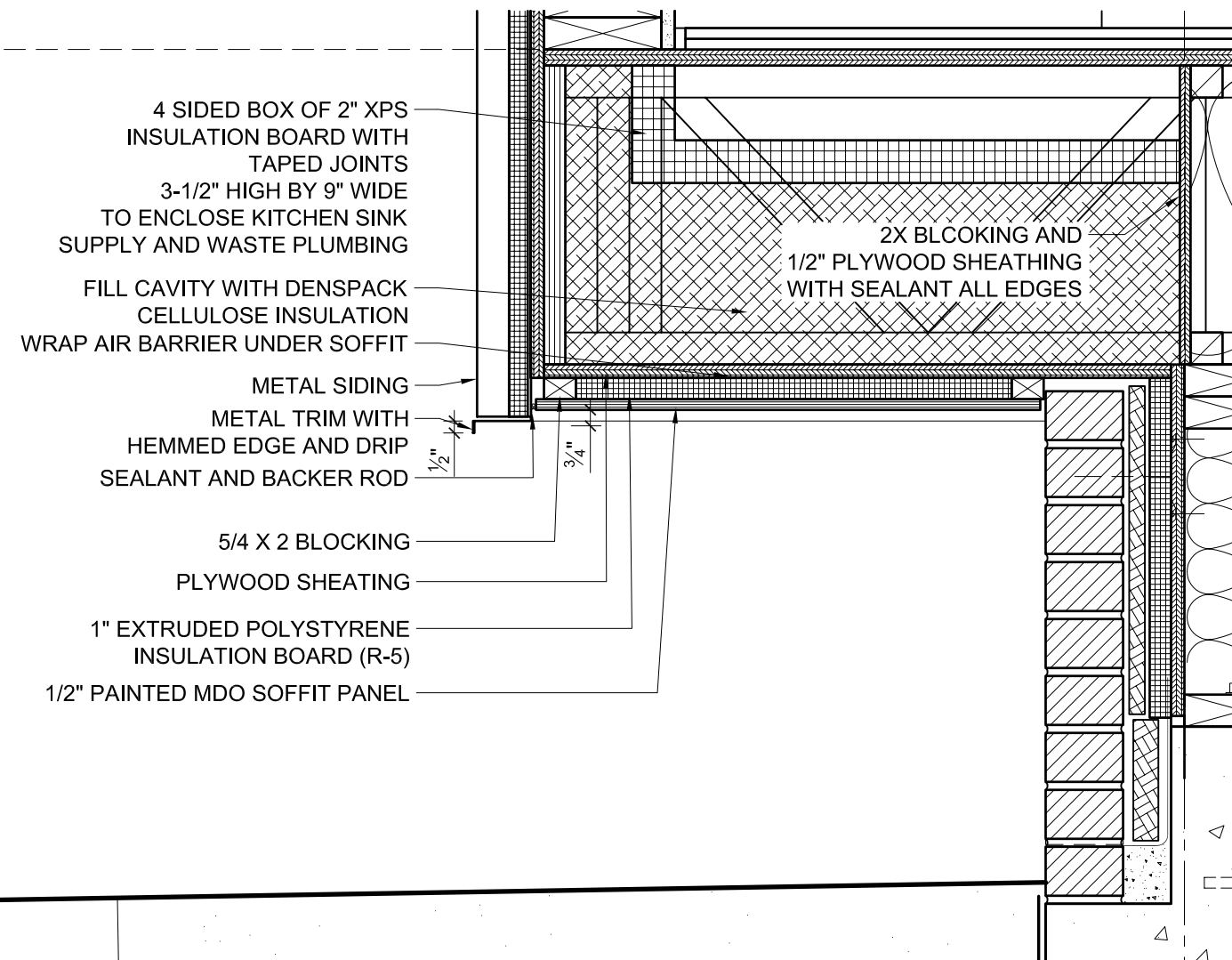
11 SECTION DETAIL AT KITCHEN BAY EAVE  
A5.1 1 - 1/2" = 1'-0"



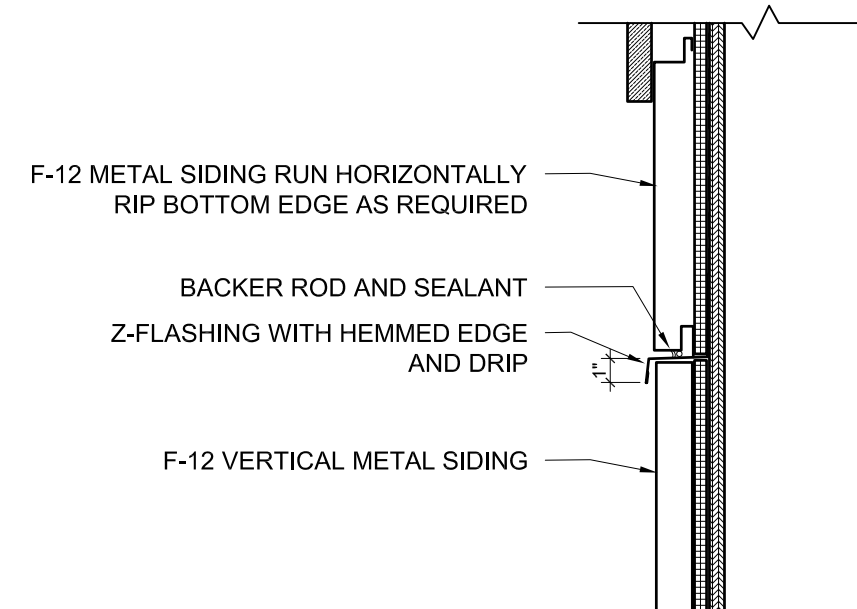
10 SECTION DETAIL AT KITCHEN BAY WINDOW SILL  
A5.1 1 - 1/2" = 1'-0"



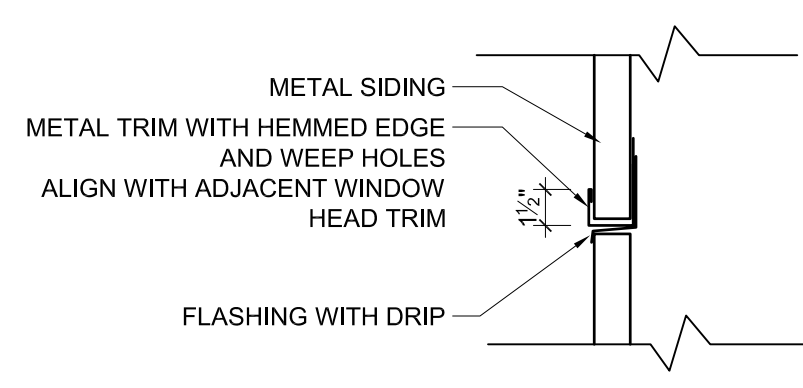
9 SECTION DETAIL AT KITCHEN BAY WINDOW HEAD AND FLOOR JOINT  
A5.1 1 - 1/2" = 1'-0"



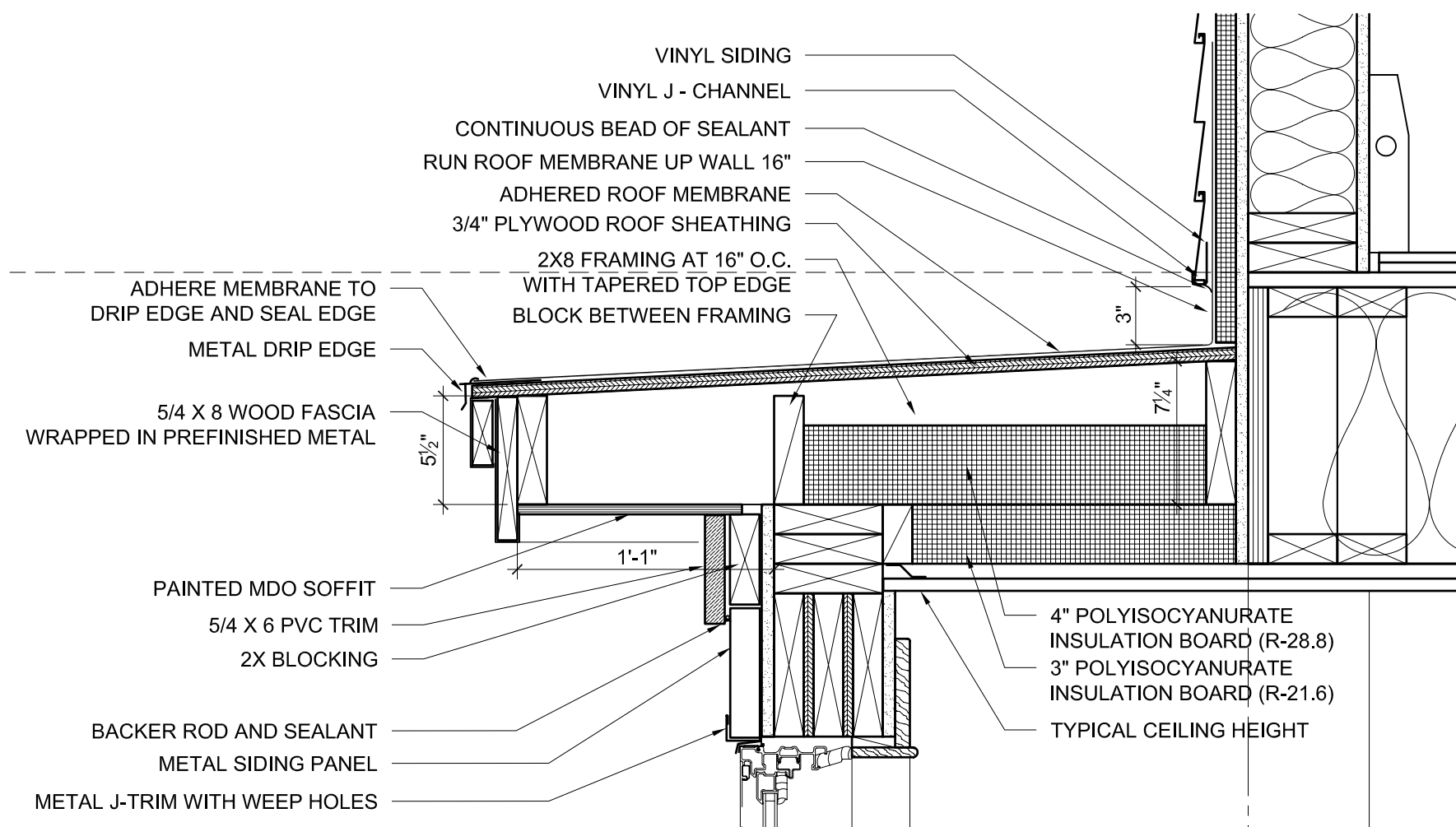
8 SECTION DETAIL AT KITCHEN BAY OVERHANG  
A5.1 1 - 1/2" = 1'-0"



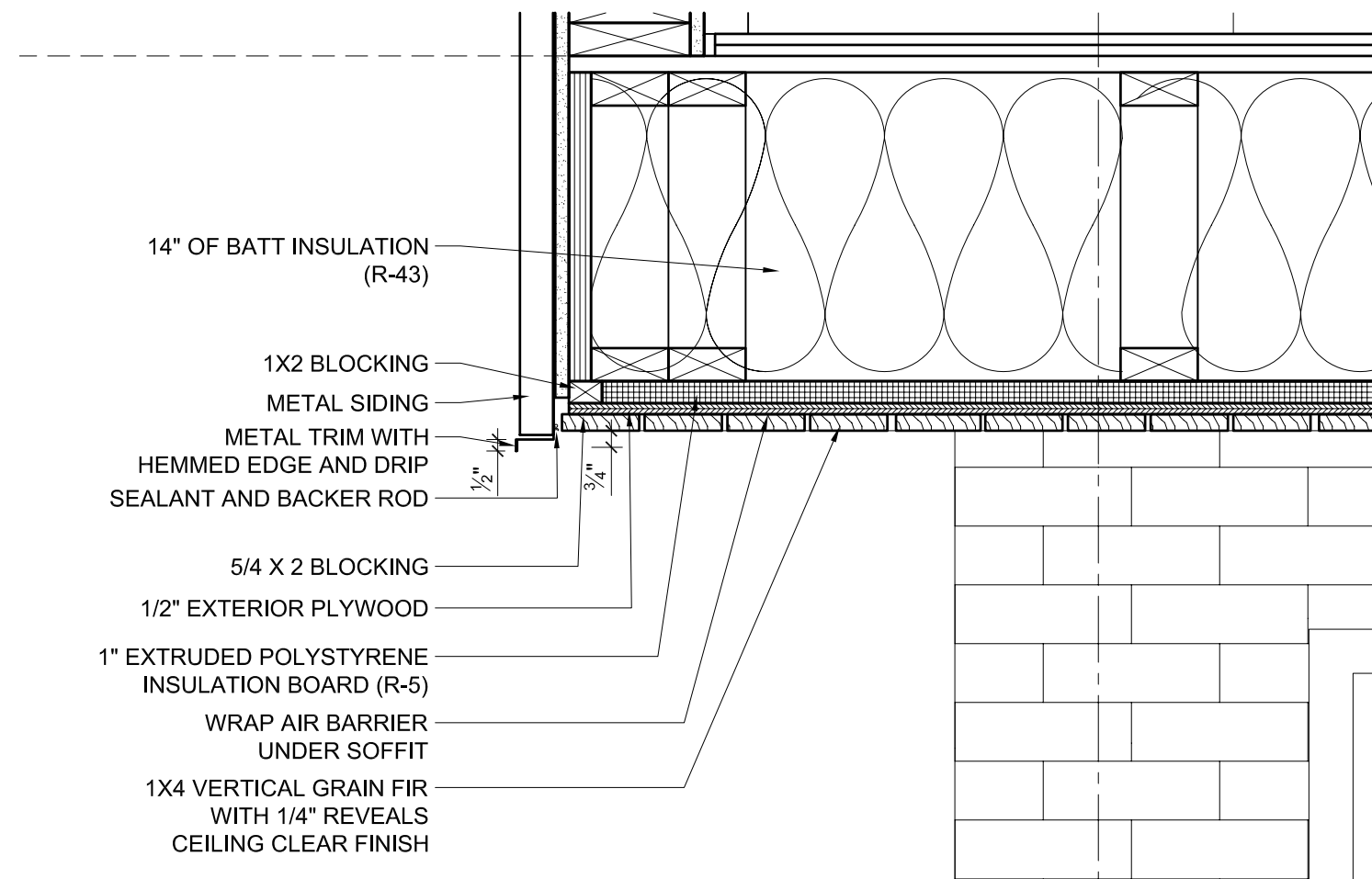
9B SECTION DETAIL AT METAL FASCIA  
A5.1 1 - 1/2" = 1'-0"



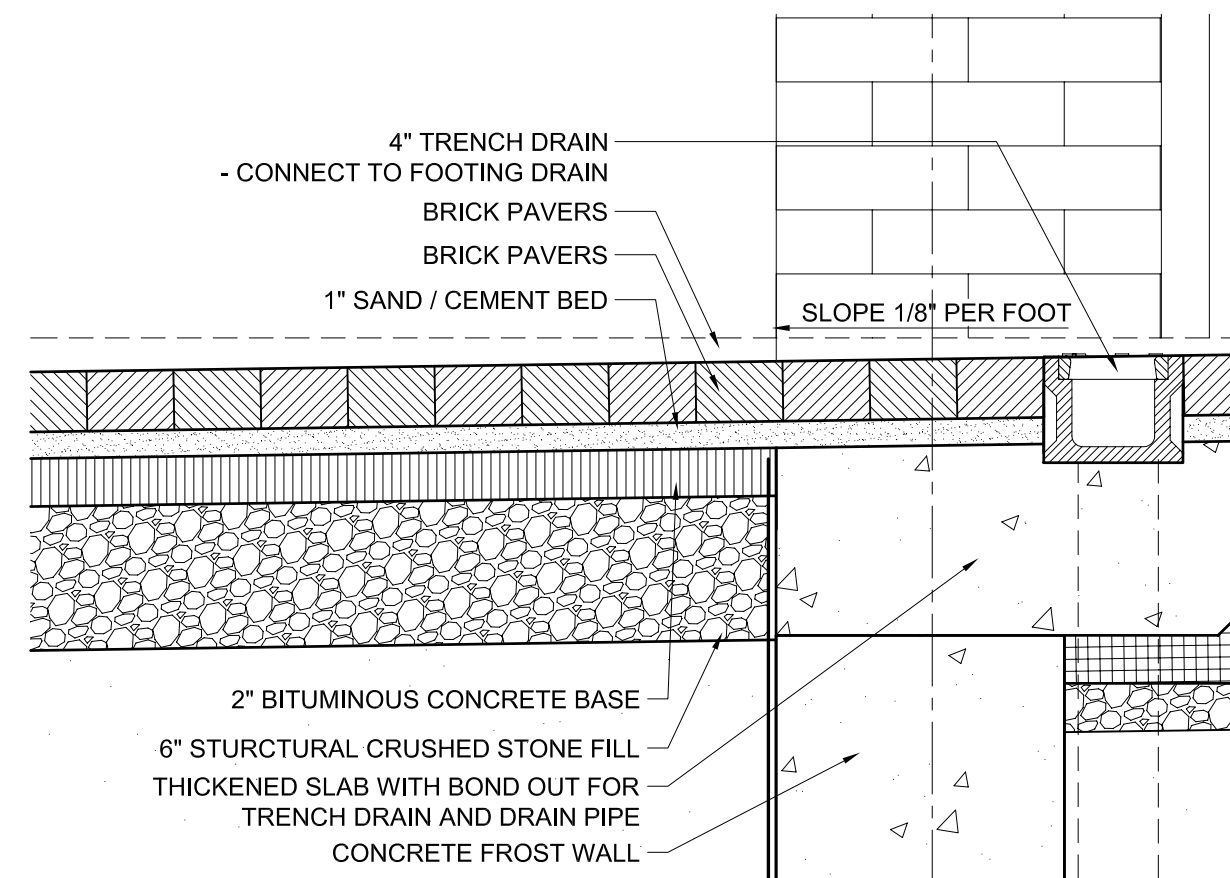
9A SECTION DETAIL AT KITCHEN BAY PANEL JOINT  
A5.1 1 - 1/2" = 1'-0"



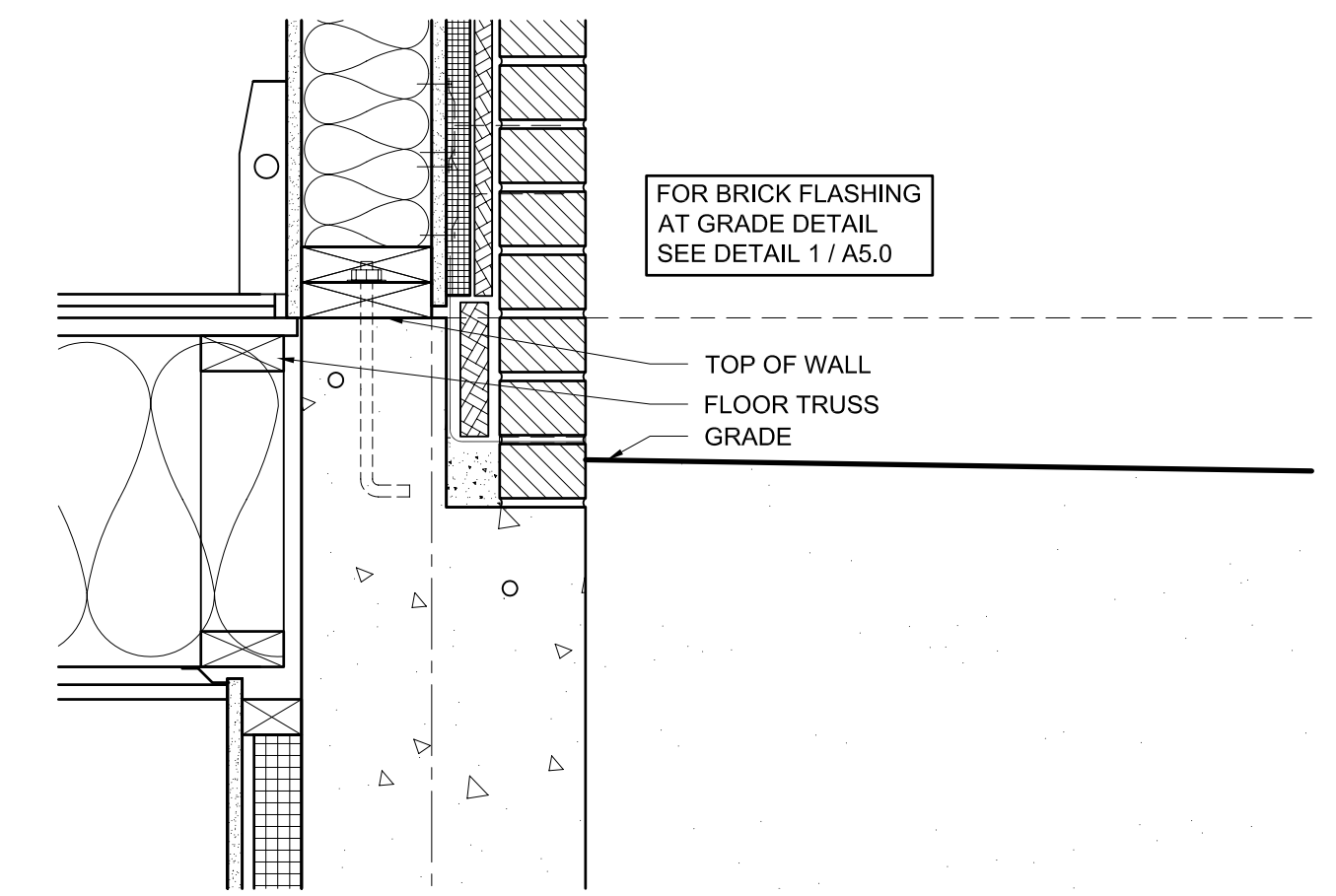
7 SECTION DETAIL AT BAY ROOF  
A5.1 1 - 1/2" = 1'-0"



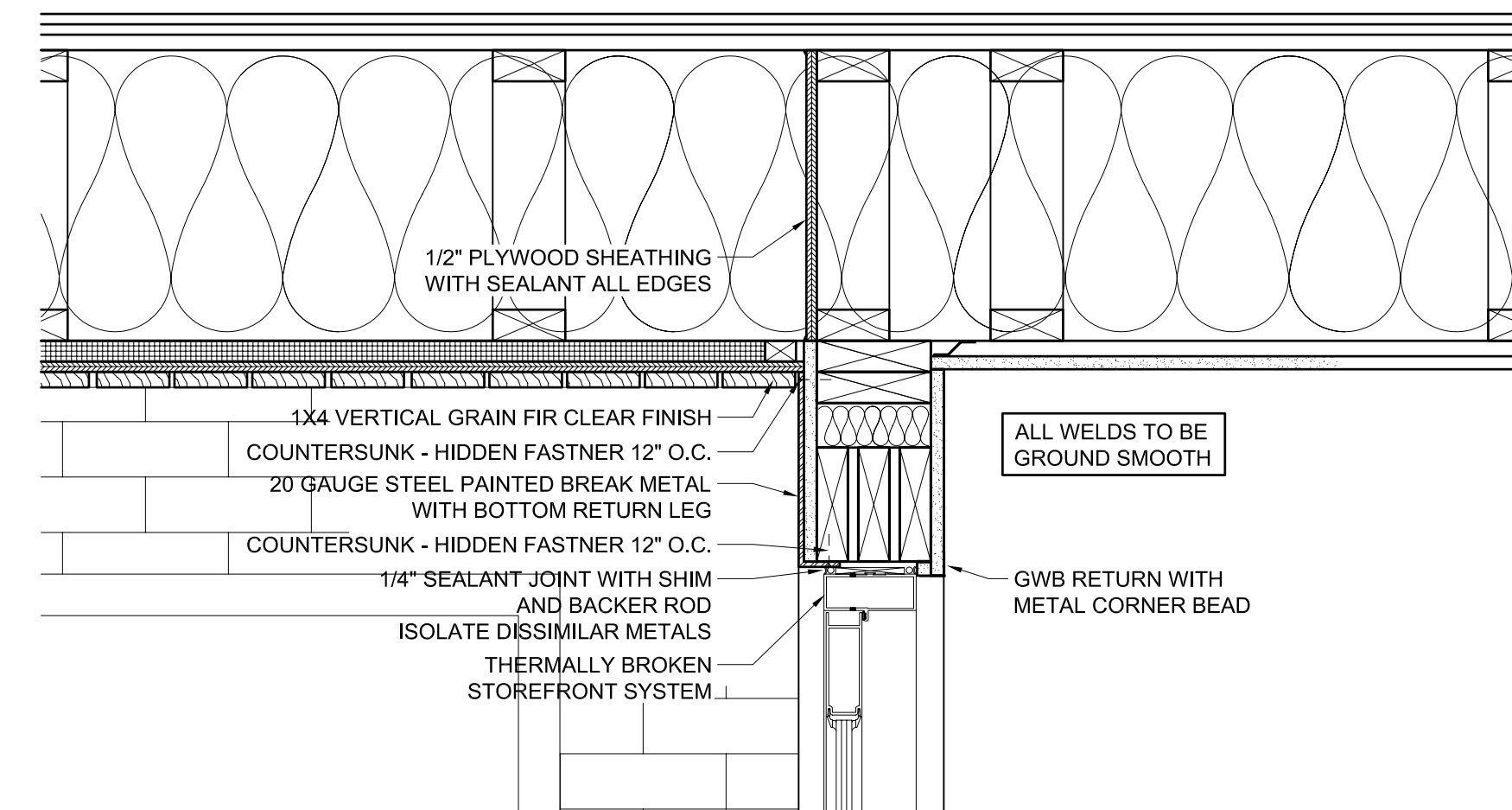
5 SECTION DETAIL AT BAY OVERHANG  
A5.1 1 - 1/2" = 1'-0"



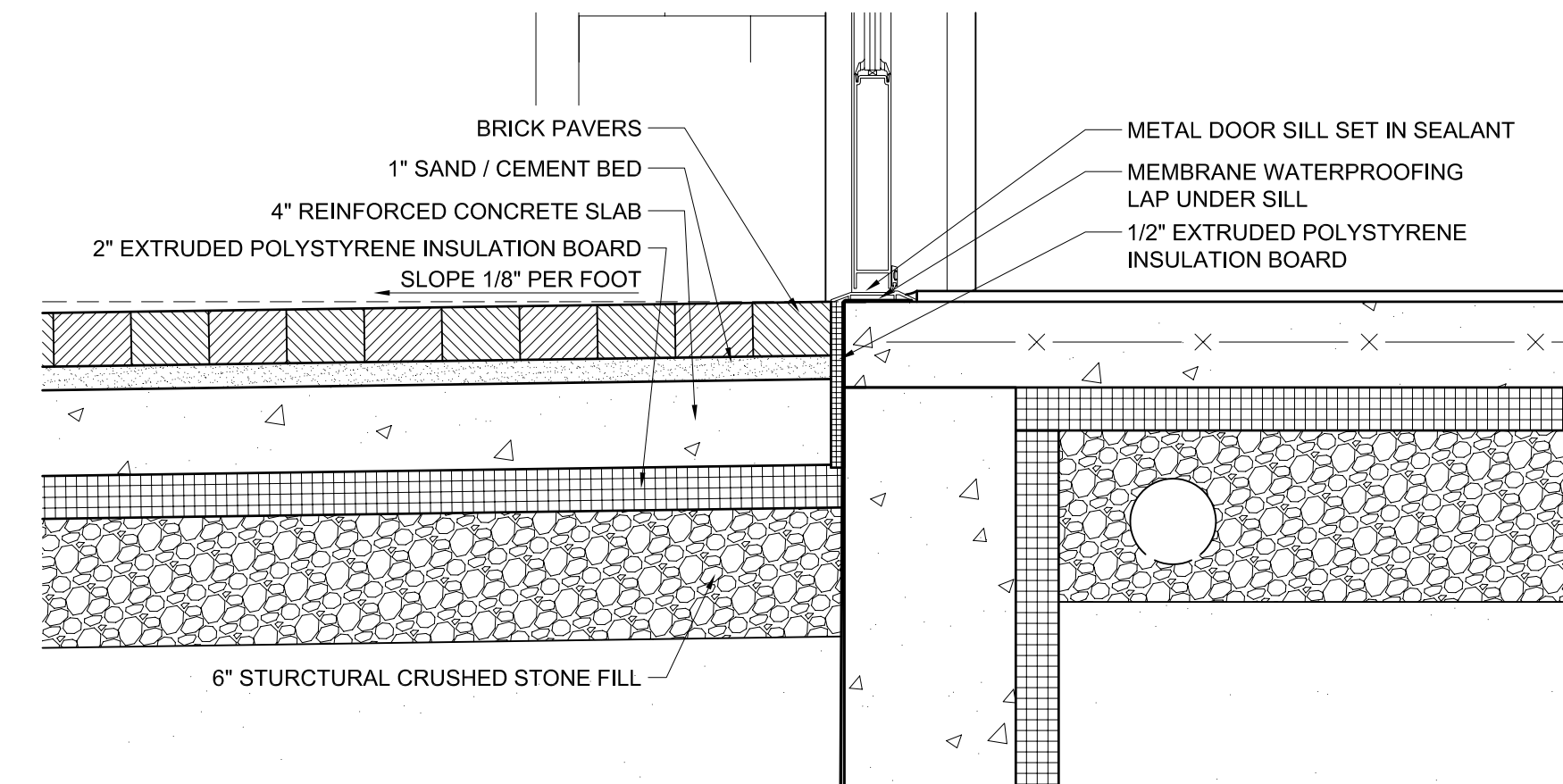
4 SECTION DETAIL AT ENTRY SIDEWALK  
A5.1 1 - 1/2" = 1'-0"



3 SECTION DETAIL AT FLOOR / FOUNDATION WALL  
A5.1 1 - 1/2" = 1'-0"



2 SECTION DETAIL AT EXTERIOR DOOR HEAD  
A5.1 1 - 1/2" = 1'-0"



1 SECTION DETAIL AT EXTERIOR DOOR SILL  
A5.1 1 - 1/2" = 1'-0"