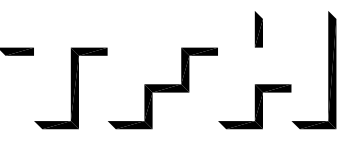


BAYSIDE EAST
PROPOSED ELDERLY HOUSING
47 SMITH STREET, PORTLAND
FOR BAYSIDE EAST LP



TFH ARCHITECTS
100 COMMERCIAL STREET
PORTLAND MAINE 04101
TELEPHONE 207 775 6141
ARCHITECTURE PLANNING

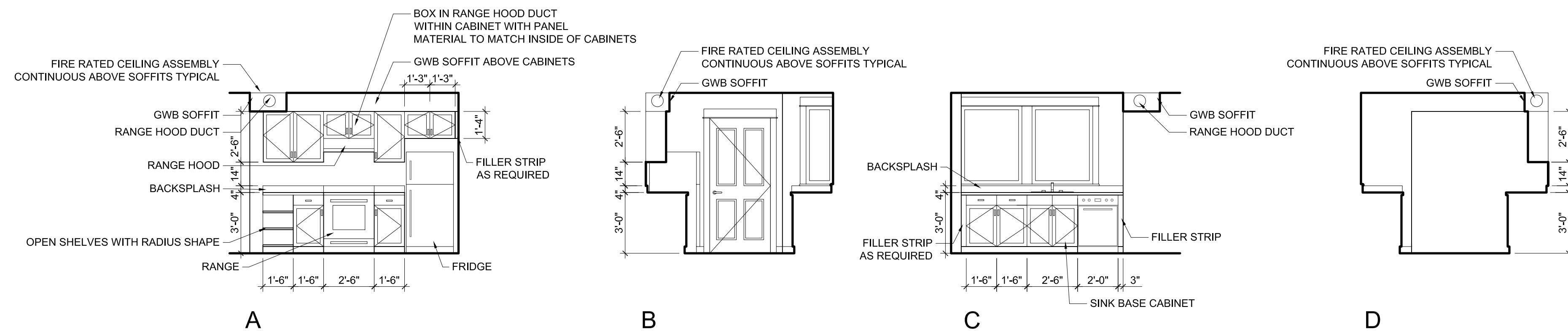
CONSULTANTS:
CIVIL
Fitzsimons and Green Consulting Engineers
380 U.S. Route 1
Falmouth, ME 04105
207-781-6242
STRUCTURAL
Structural Design Consulting
22 Oakmont Drive
Old Orchard Beach, ME 04064
207-934-8038
MECHANICAL AND ELECTRICAL
Bennett Engineering
7 Bennett Road
Freeport, ME 04032
207-866-4470

REVISIONS:

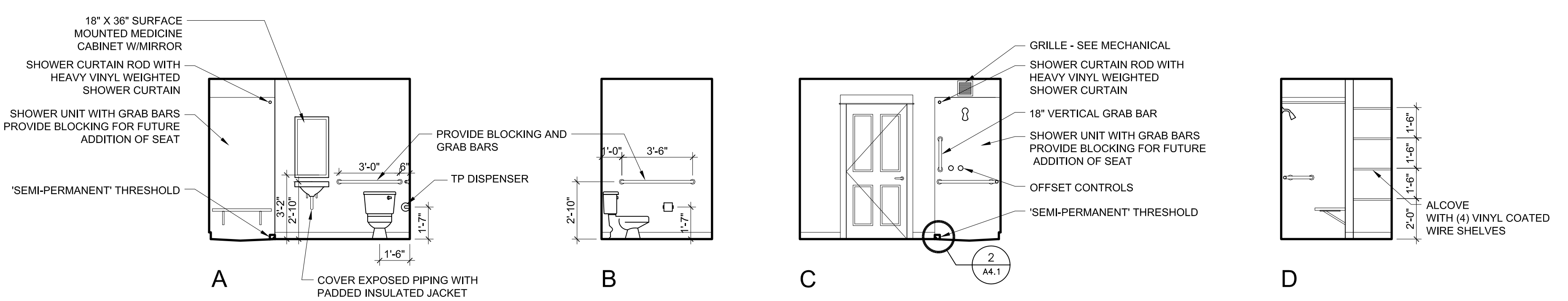
DATE: 05/18/07
PROJECT No. 0514
DRAWN BY: RJS
CHECKED BY: TST
SCALE: AS NOTED

SHEET TITLE:
INTERIOR ELEVATIONS

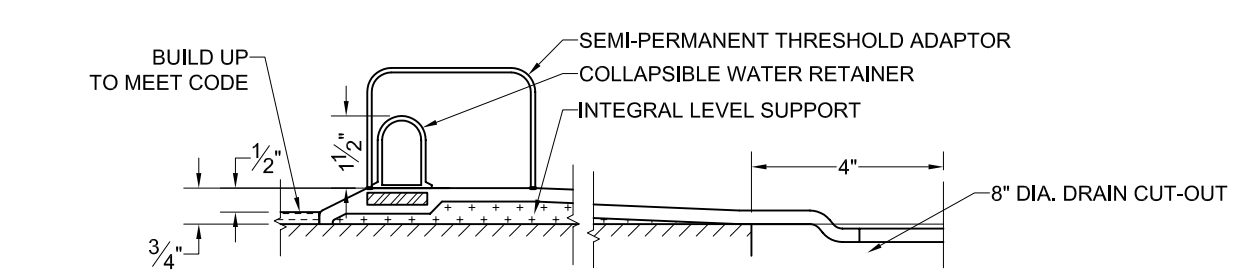
A 4.1



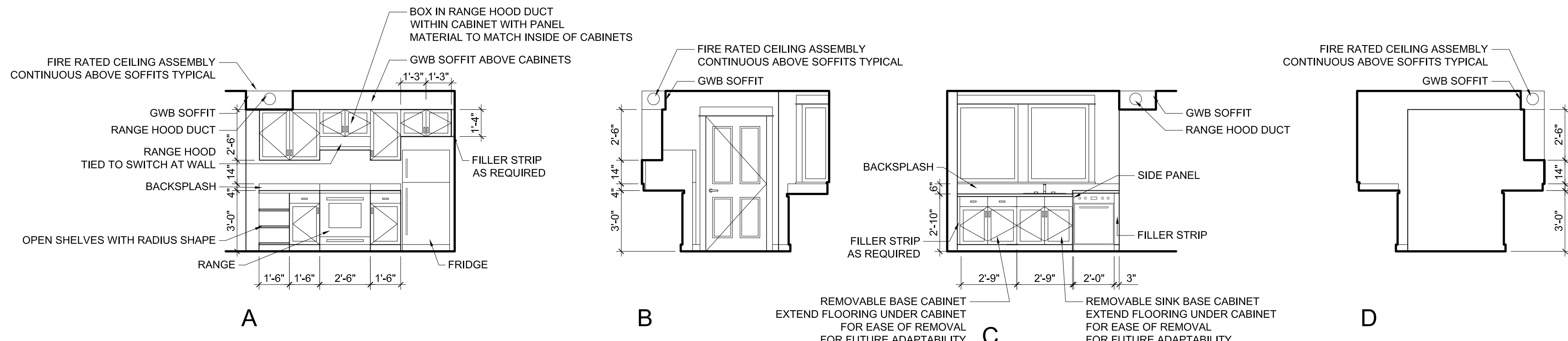
6 TYPICAL KITCHEN - TYPE - B UNITS (ROOM # 1B3, 1C3, 2B3, 2C3, 3B3, 3C3, 4B3, 4C3, 4D3)
A4.1 1/4" = 1'-0"
NOTE: SOME UNITS ARE MIRRORED BUT SIMILAR



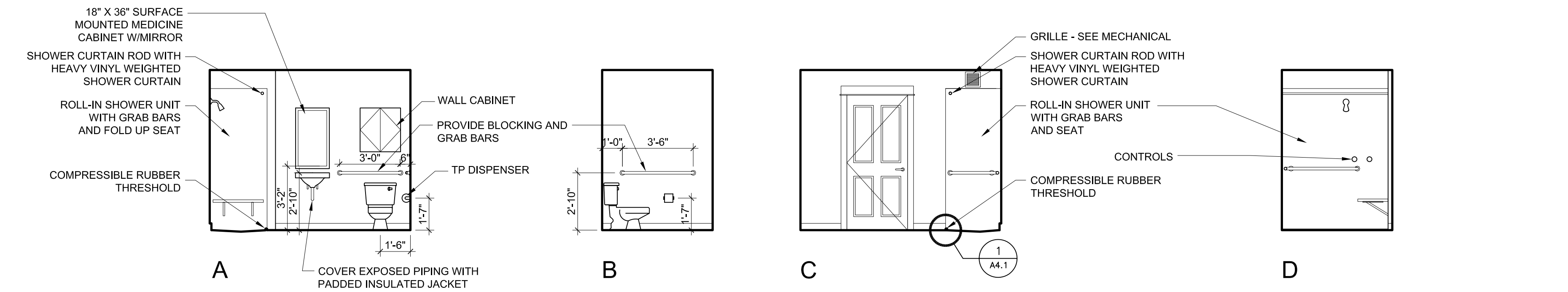
5 TYPICAL BATHROOM - TYPE - A AND B UNITS (ROOM # 1A4, 1B4, 1C4, 2A4, 2B4, 2C4, 2D4, 2E4, 3A4, 3B4, 3C4, 3D4, 3E4, 4A4, 4B4, 4C4, 4D4, 4E4)
A4.1 1/4" = 1'-0"
NOTE: SOME UNITS ARE MIRRORED BUT SIMILAR



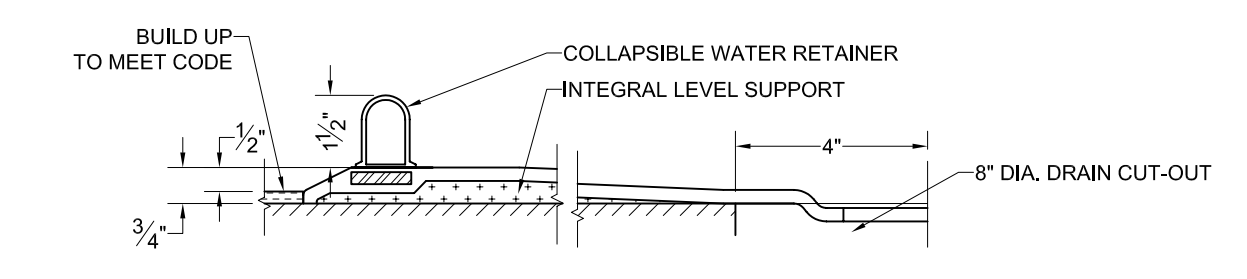
2 SEMI-PERMANENT THRESHOLD DETAIL
A4.1 3" = 1'-0"



4 TYPICAL KITCHEN - TYPE - A UNITS (ROOM # 1A3, 1D3, 1E3, 2A3, 2D3, 2E3, 3A3, 3D3, 3E3, 4A3, 4E3)
A4.1 1/4" = 1'-0"
NOTE: SOME UNITS ARE MIRRORED BUT SIMILAR



3 BATHROOM WITH ROLL-IN SHOWER - TYPE - A UNITS (ROOM # 1D4, 1E4)
A4.1 1/4" = 1'-0"
NOTE: SOME UNITS ARE MIRRORED BUT SIMILAR



1 COMPRESSIBLE RUBBER THRESHOLD DETAIL
A4.1 3" = 1'-0"