

© 2007 TFH ARCHITECTS

BAYSIDE EAST
 PROPOSED ELDERLY HOUSING
 47 SMITH STREET, PORTLAND, ME
 FOR BAYSIDE EAST LP

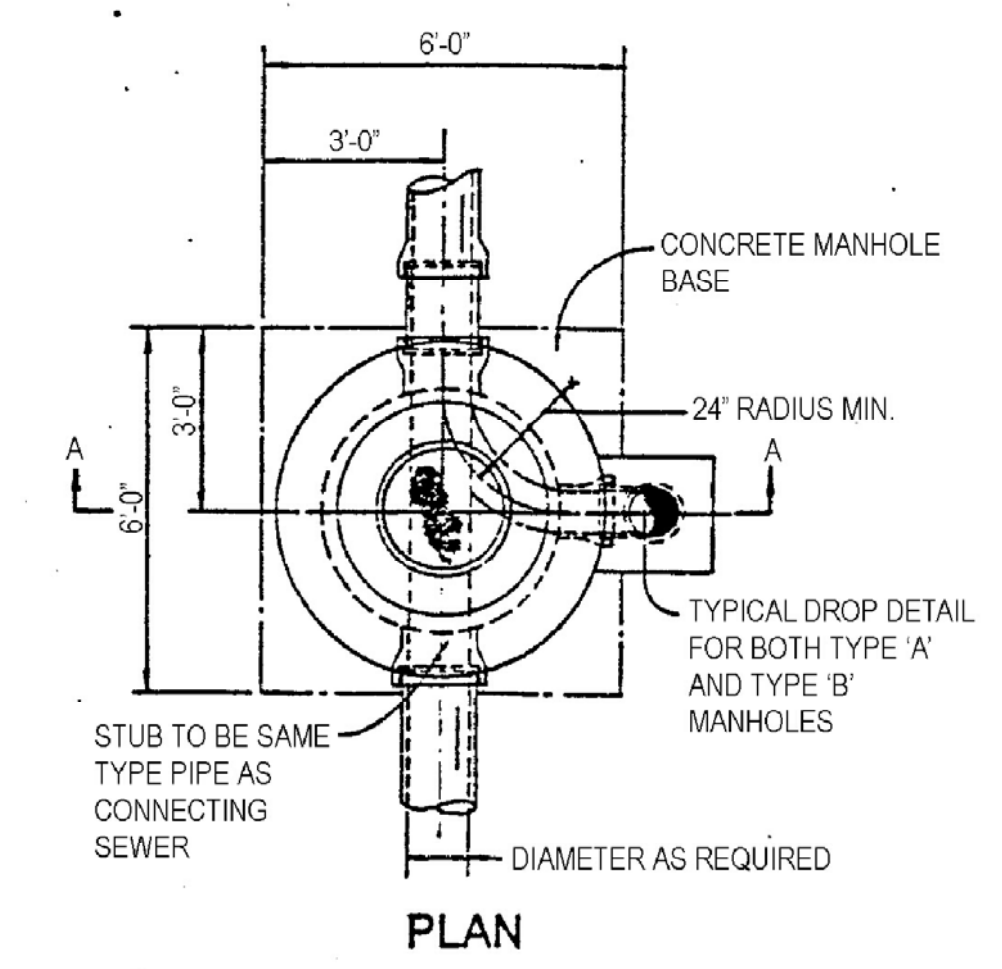
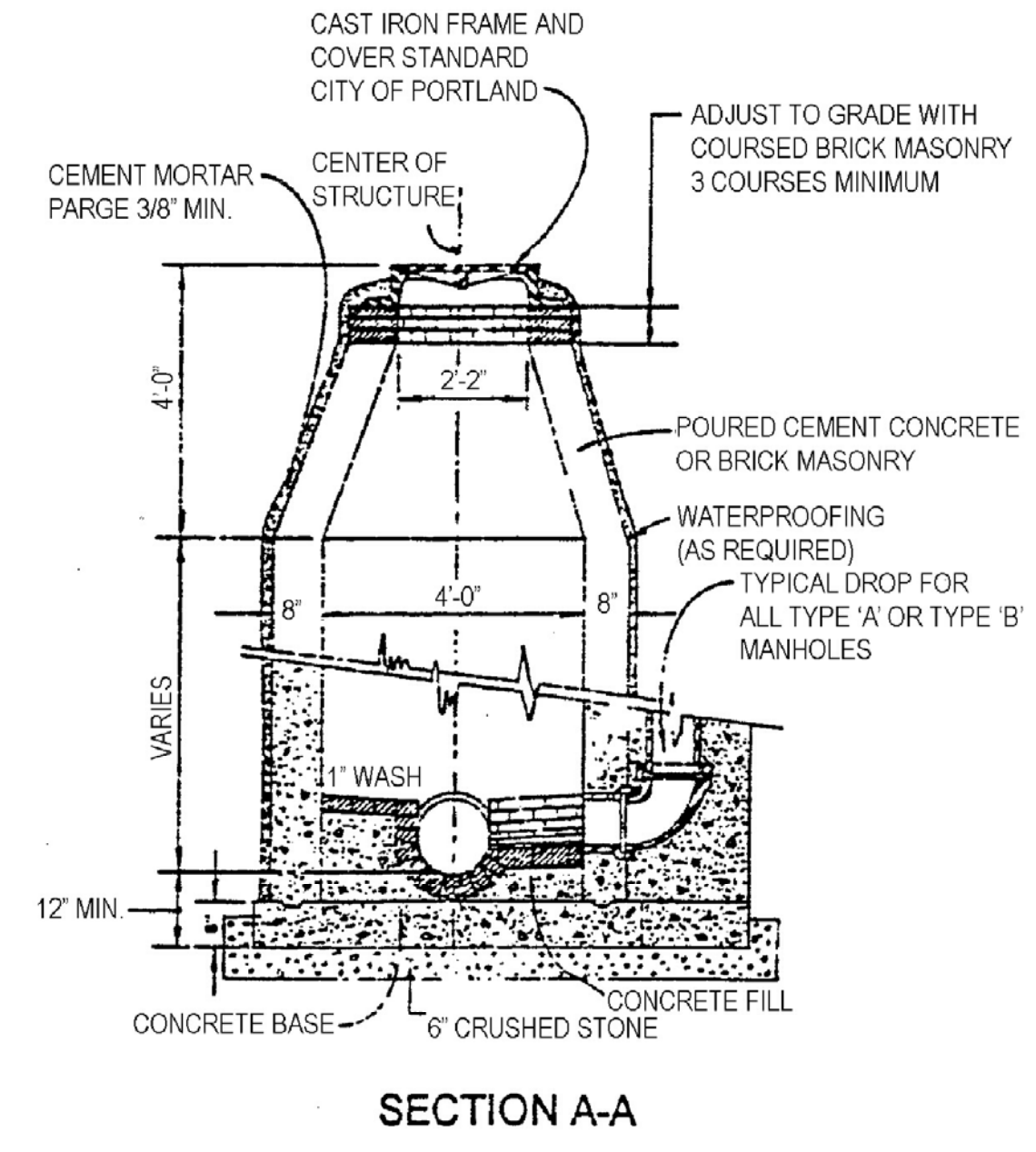
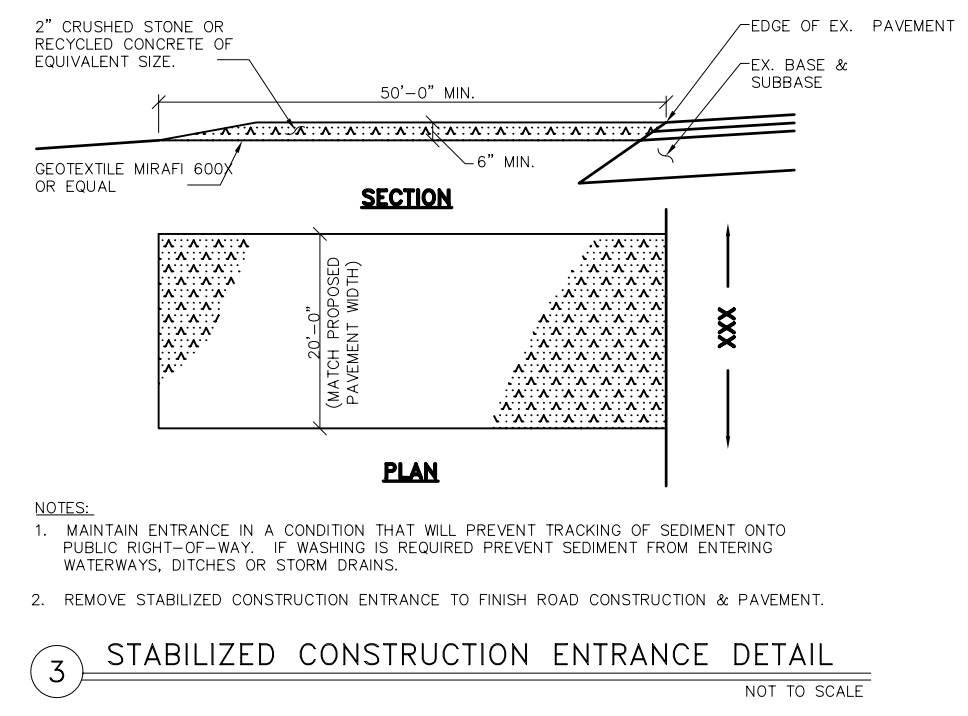
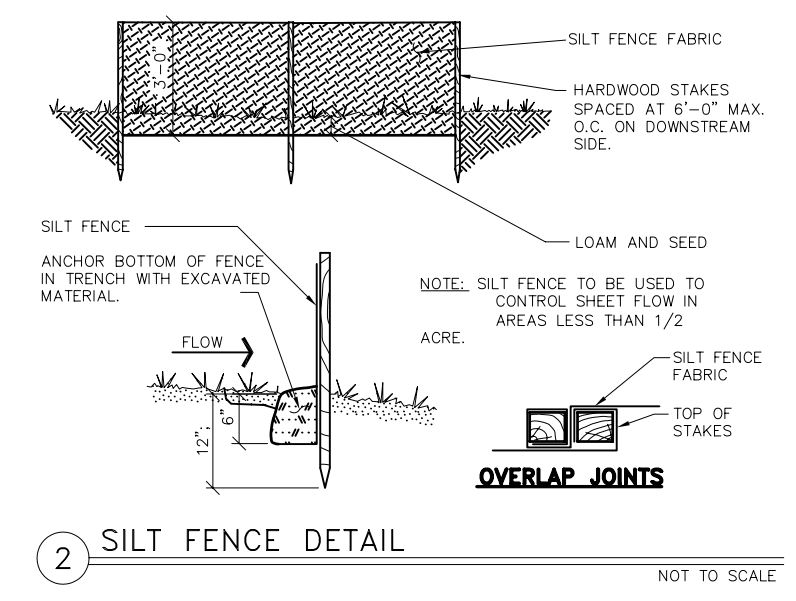
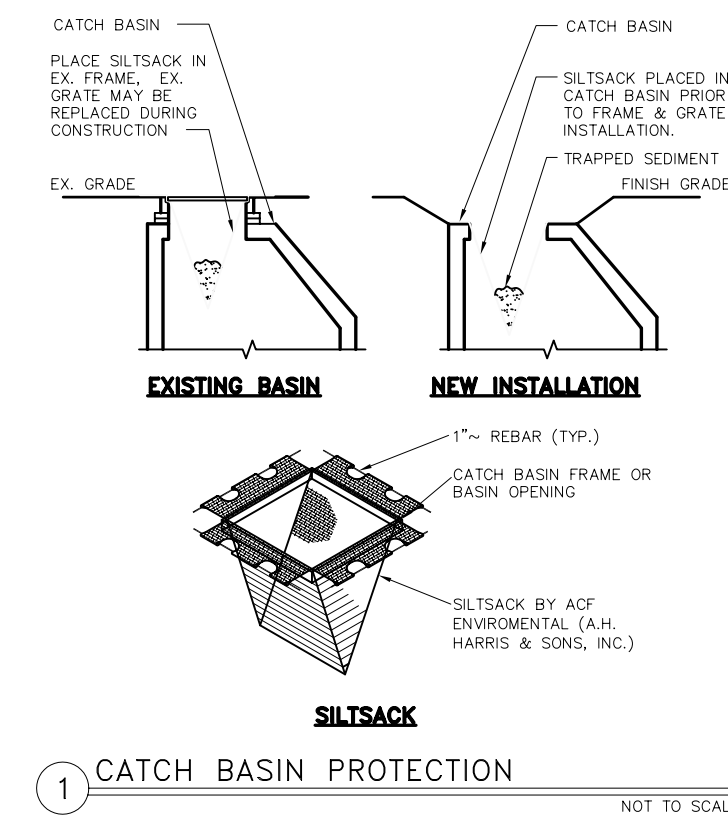
TFH ARCHITECTS
 100 COMMERCIAL STREET
 PORTLAND MAINE 04101
 TELEPHONE 207 775 6141
 ARCHITECTURE PLANNING

CONSULTANTS:
CIVIL
 Pridmore and Greer Consulting Engineers
 350 US Route 1
 Falmouth, ME 04105
 207-781-5242
STRUCTURAL
 Structural Design Consulting
 22 Oakmont Drive
 236 Orchard Beach, ME 04094
 207-934-8038
MECHANICAL AND ELECTRICAL
 Bennett Engineering
 7 Bennett Road
 Frensort, ME 04032
 207-866-9475

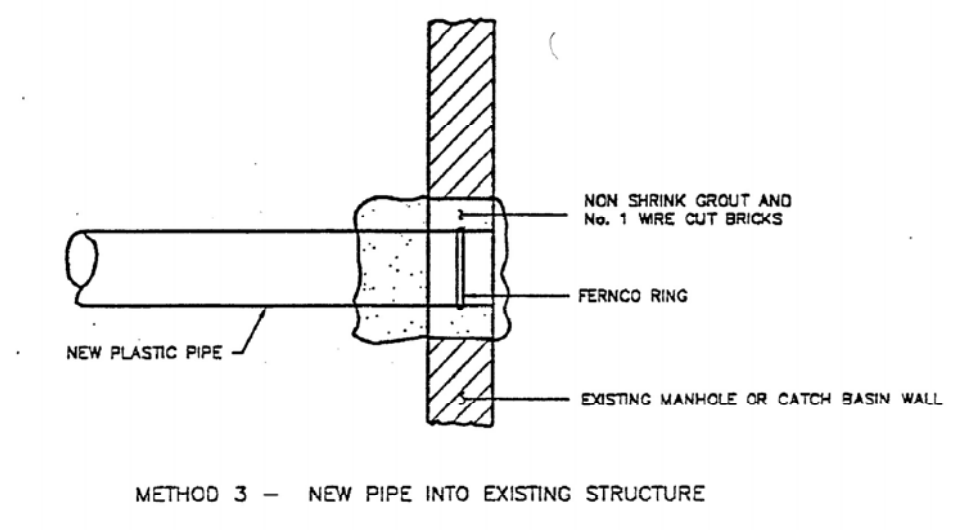
REVISIONS:
 DATE: 05/18/07
 PROJECT No. 0514
 DRAWN BY: RTL
 CHECKED BY: TST
 SCALE: AS SHOWN

SHEET TITLE:
 DETAILS

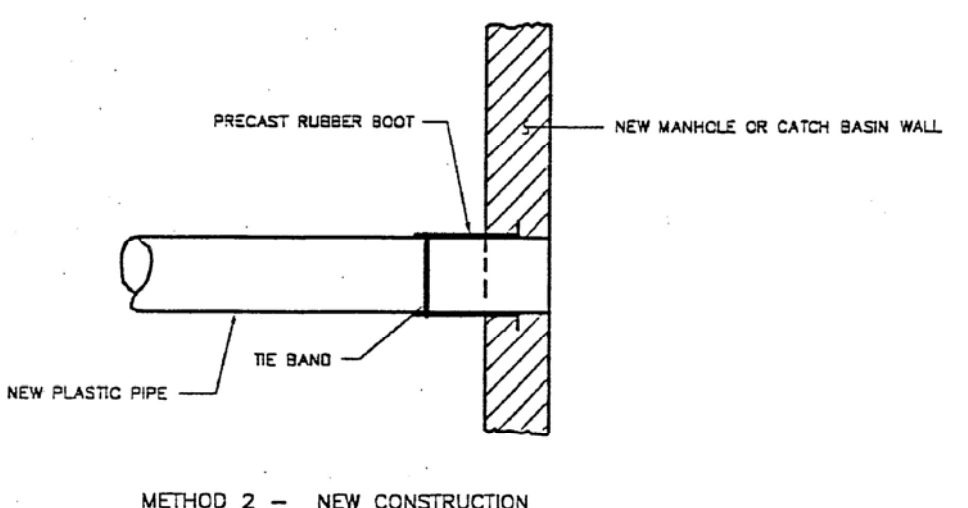
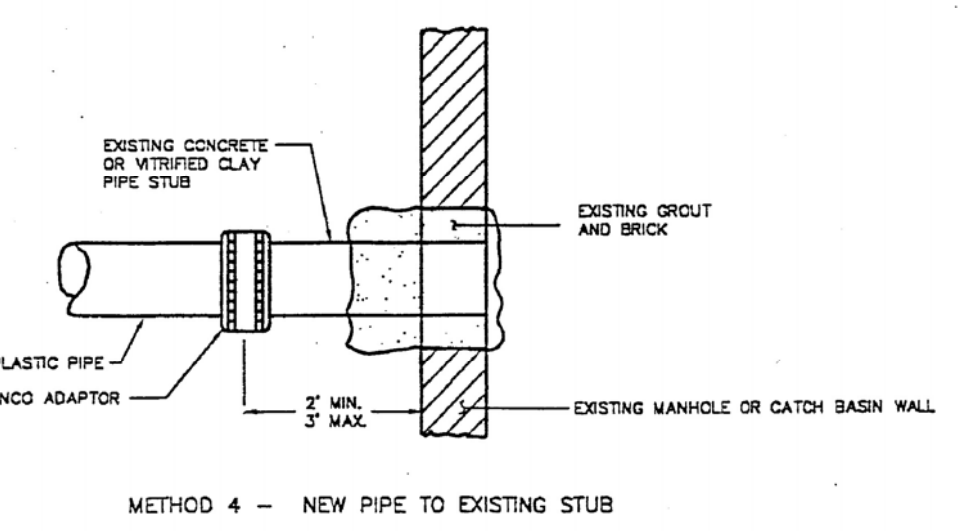
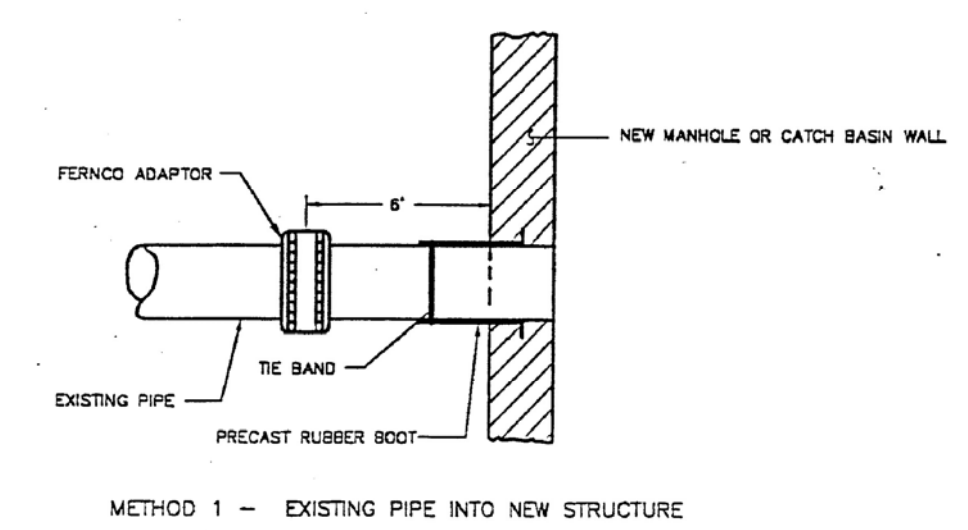
C1.4



NOTE:
 EXISTING MANHOLE OR CATCH BASIN SHALL BE CORE DRILLED FOR PIPE INSTALLATION



NOTE:
 REMOVE WATERPROOFING FROM STRUCTURE BEFORE APPLYING MORTAR. WATERPROOF AGAIN AFTER MORTAR HAS SET.



6 PIPE CONNECTION DETAILS NOT TO SCALE