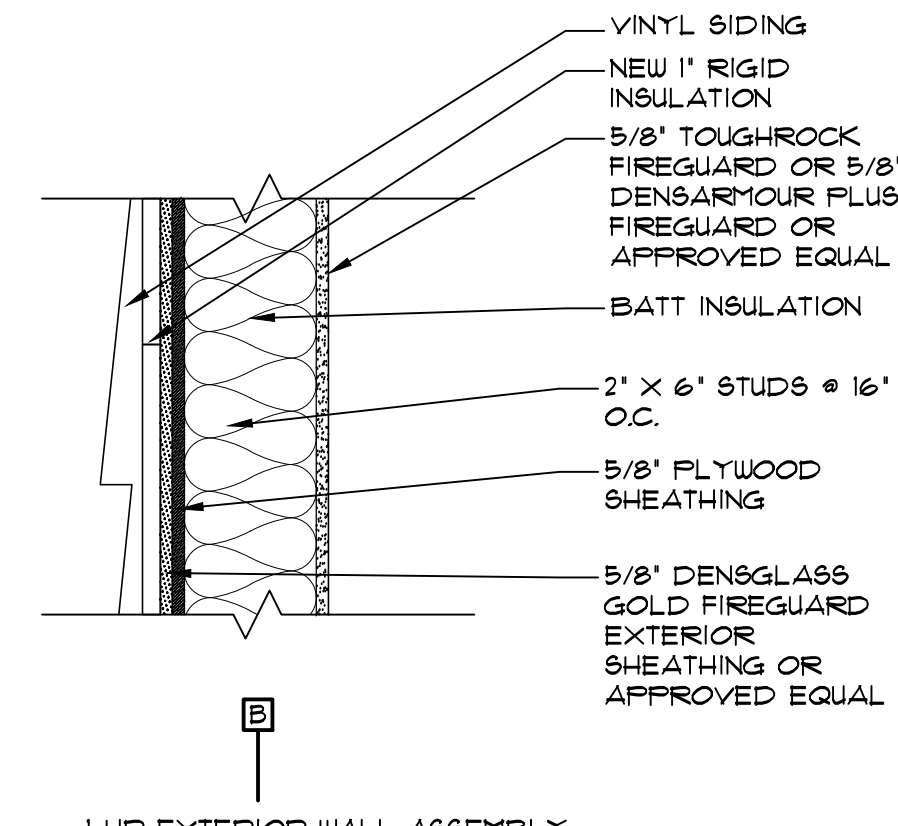
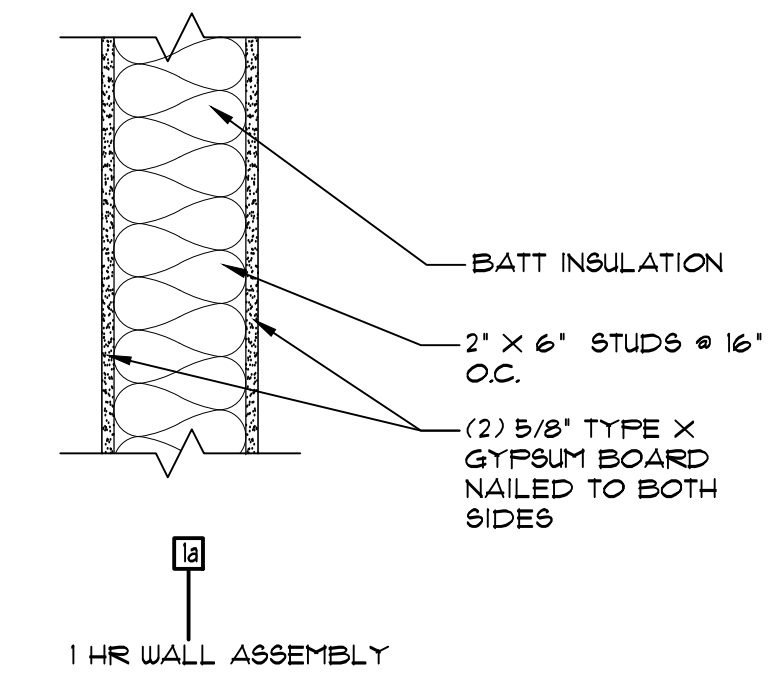


1 EXTERIOR WALL TYPE
SCALE: 1-1/2" = 1'-0"



2 1HR FIRE RATED EXTERIOR WALL TYPE
SCALE: 1-1/2" = 1'-0"



3 1HR FIRE RATED PARTITION
SCALE: 1-1/2" = 1'-0"

REV Δ

Window Schedule						
Mark	Size		Type	Material	U-Value	Notes
	Width	Height				
A	36"	60"	Double Hung	Vinyl	0.32	
B	36"	60"	Double Hung	Vinyl	0.32	Egress Windows
C	36"	60"	Sky light	Vinyl	0.32	
D	30"	36"	Double Hung	Vinyl	0.32	
E	24"	60"	Double Hung	Vinyl	0.32	
F	24"	36"	Double Hung	Vinyl	0.32	

U VALUES ARE IN COMPLIANCE WITH SECTION 1025.2 IBC 2003

4 WINDOW SCHEDULE
SCALE: NTS

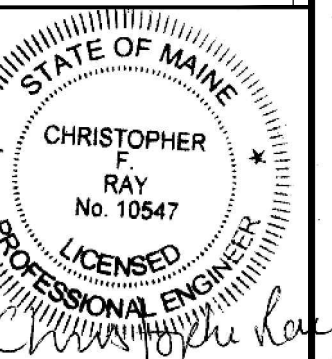
PROPERTY OF



235 Riverside Industrial Parkway
Portland, ME 04102

Downeast Structural Consultants, LLC

5 Oak Street
Cumberland, Maine 04102
phone: 207/629-8015
email: cty@downeaststructural.com



35 Mayo Street Re-Model
Portland, Maine
Fowler-Greeves Construction

DATE	REMARKS	BY	
		NO	REVIS
09-24-09	A	JJO	REVIS
10-08-09	B	JJO	REVIS

CODE: IRC 2003
TOWN: Portland
DATE: 09-24-09
SCALE: AS NOTED
DRAWN: JJO

TITLE:
DETAILS &
WINDOW
SCHEDULE

FILE: 015-017-09

SHEET:
A2.4