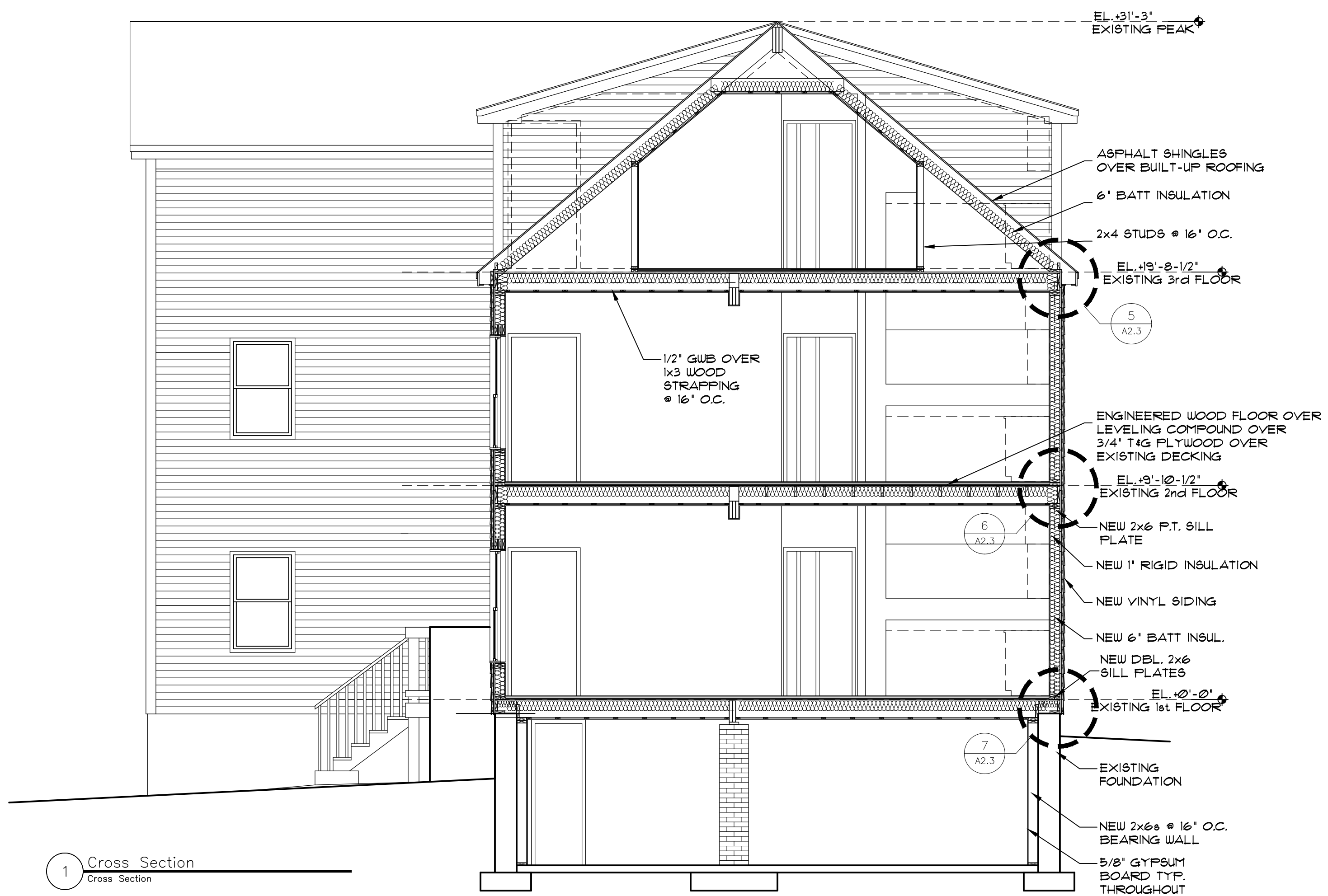
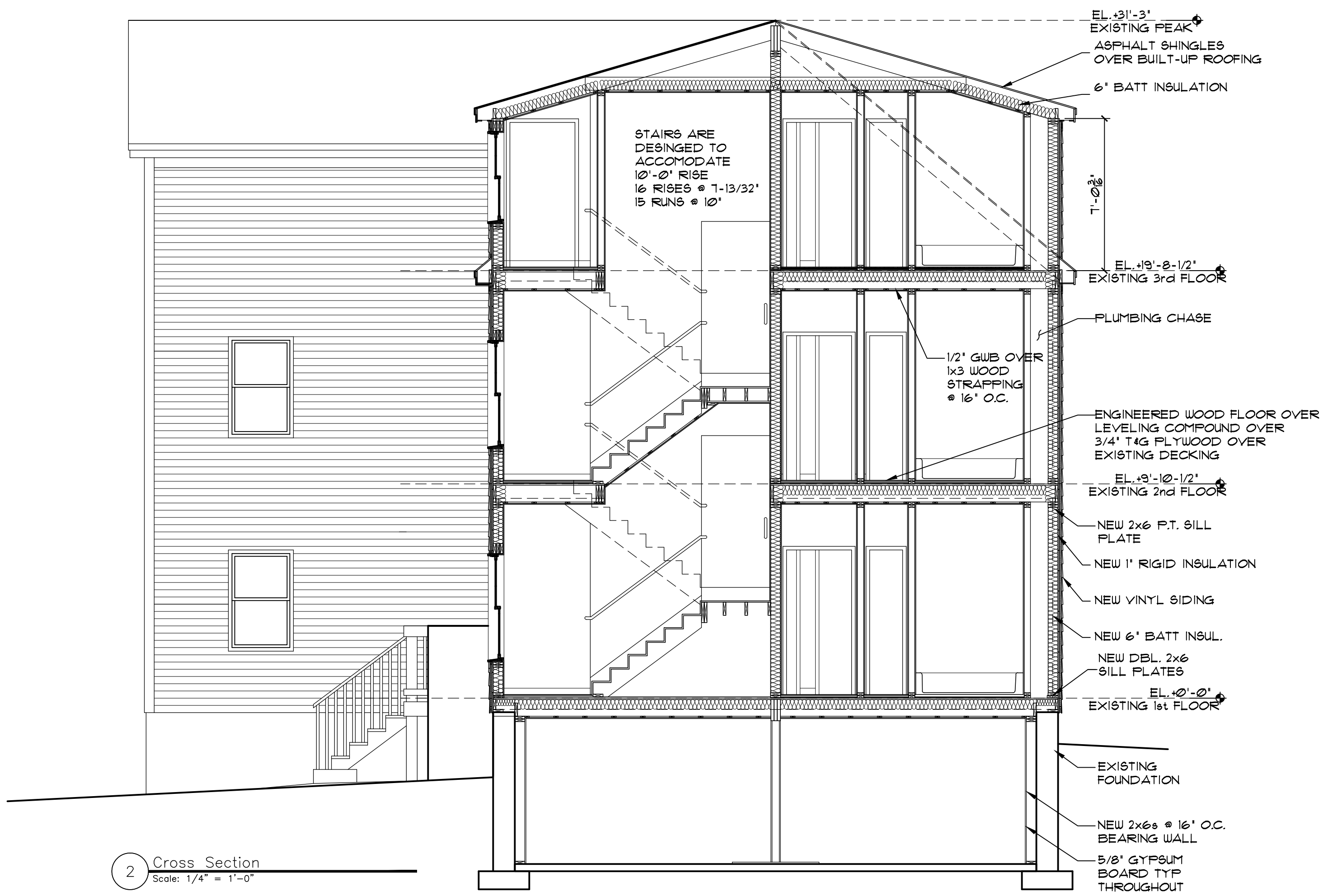


BY	DATE	REMARKS
JJO	08-03-09	A ISSUED FOR PERMITTING
JJO	09-24-09	B REVISED AS PER CITY COMMENT
JJO	10-08-09	C REVISED AS PER CITY COMMENT

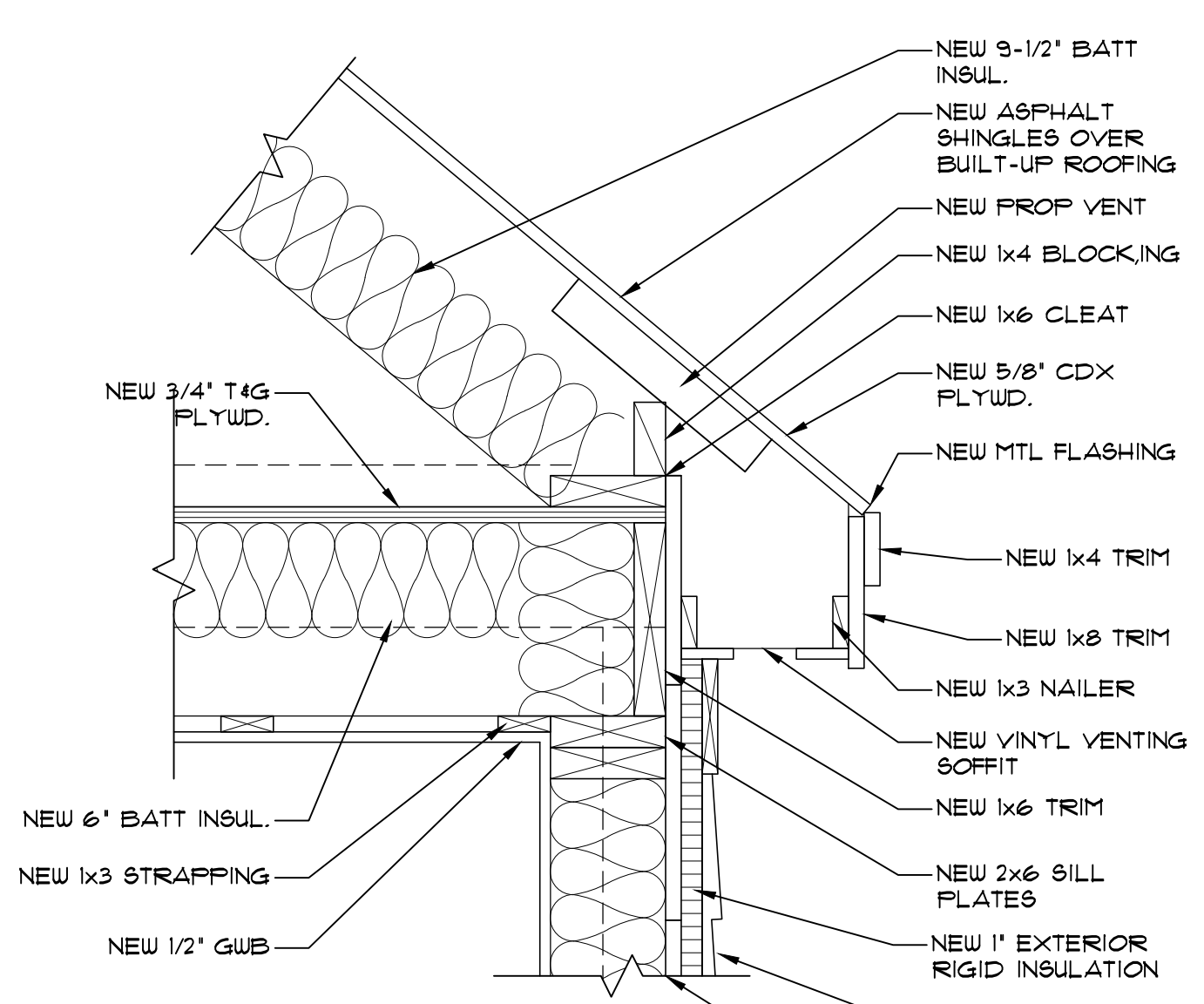
CODE: IRC 2003
 TOWN: Portland
 DATE: 06-16-09
 SCALE: AS NOTED
 DRAWN: JJO
 TITLE: New Building Cross Sections
 FILE: 015-017-09
 SHEET: A2.3



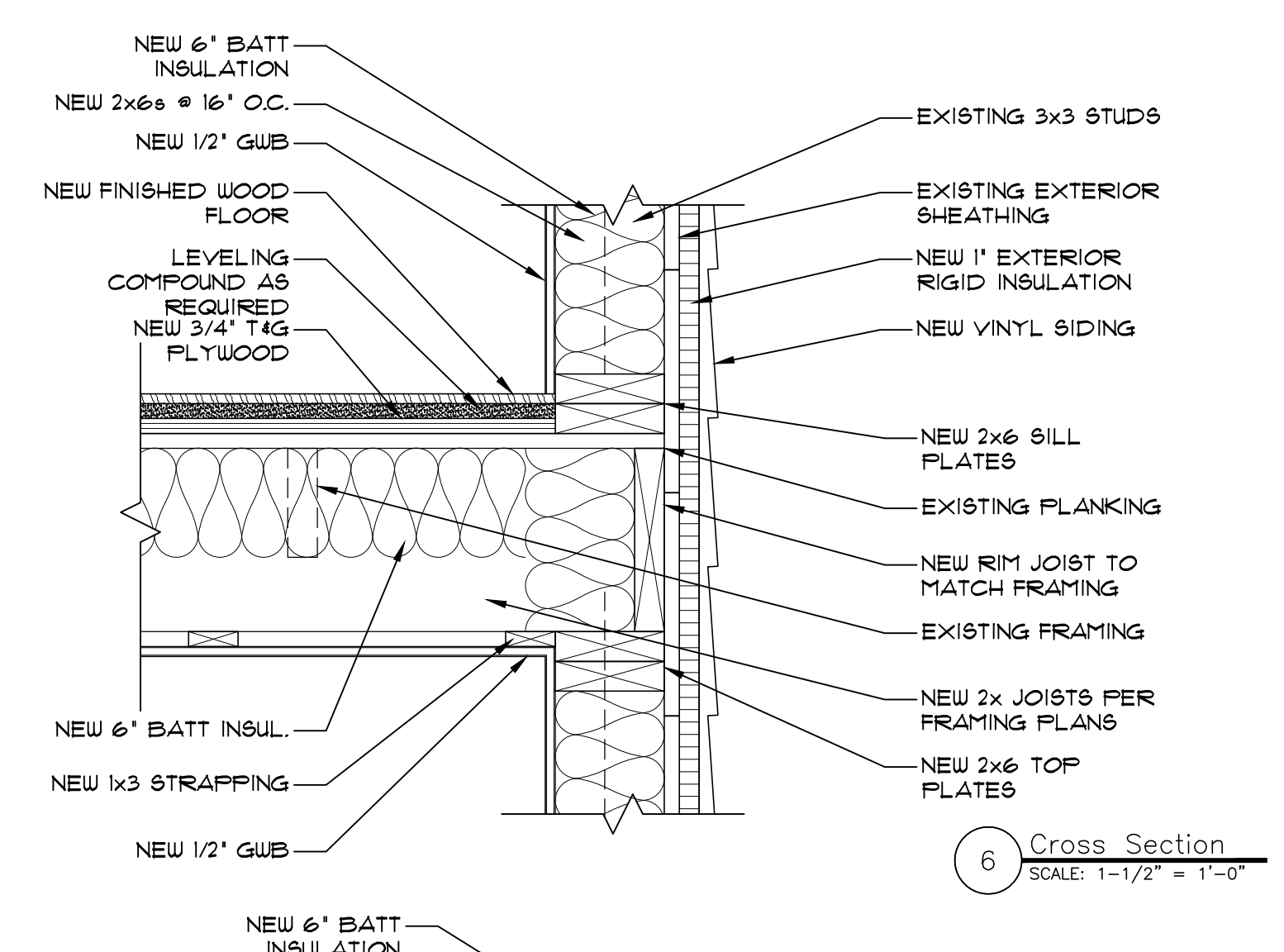
1 Cross Section
 Cross Section



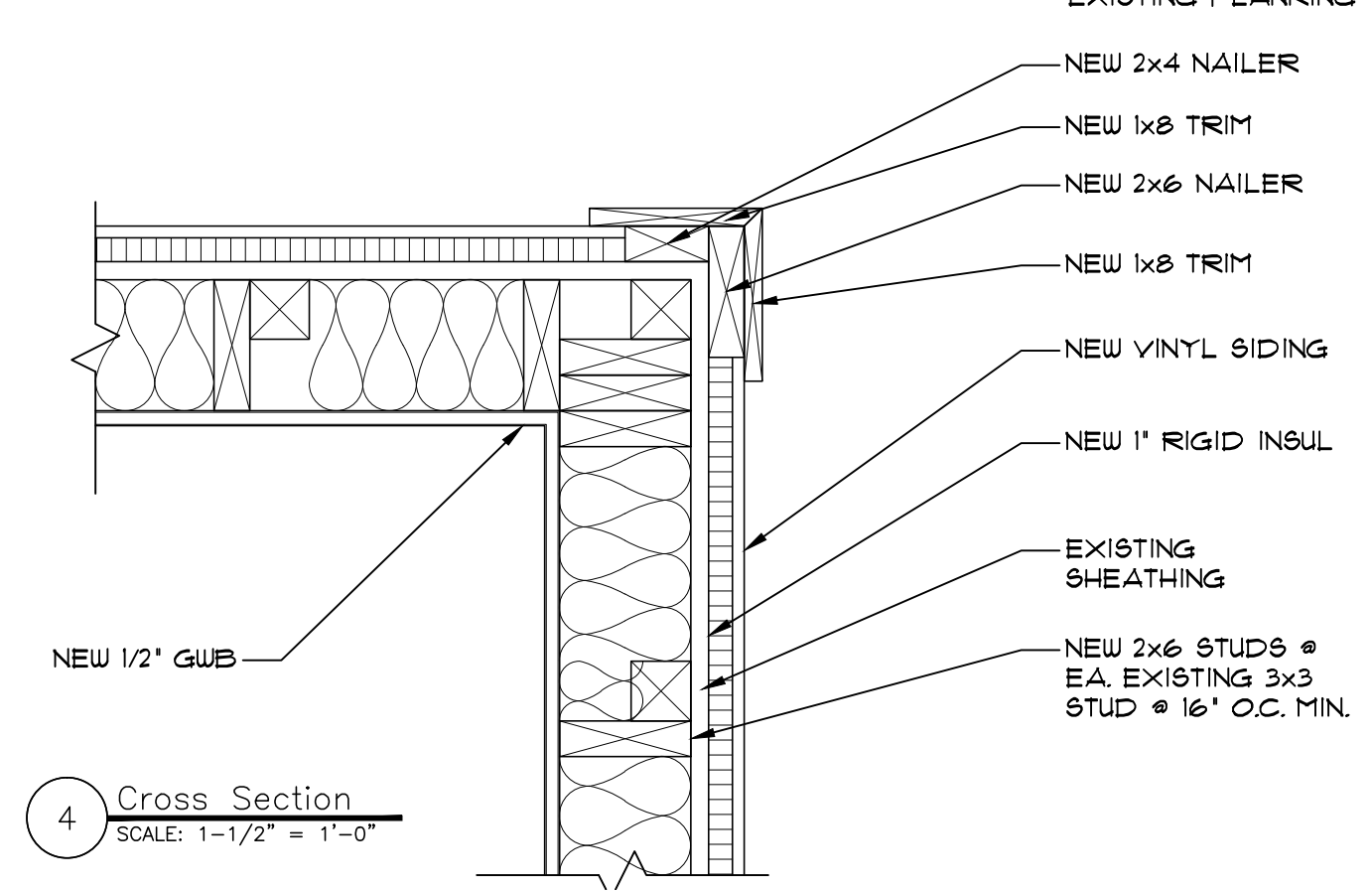
2 Cross Section
 Scale: 1/4" = 1'-0"



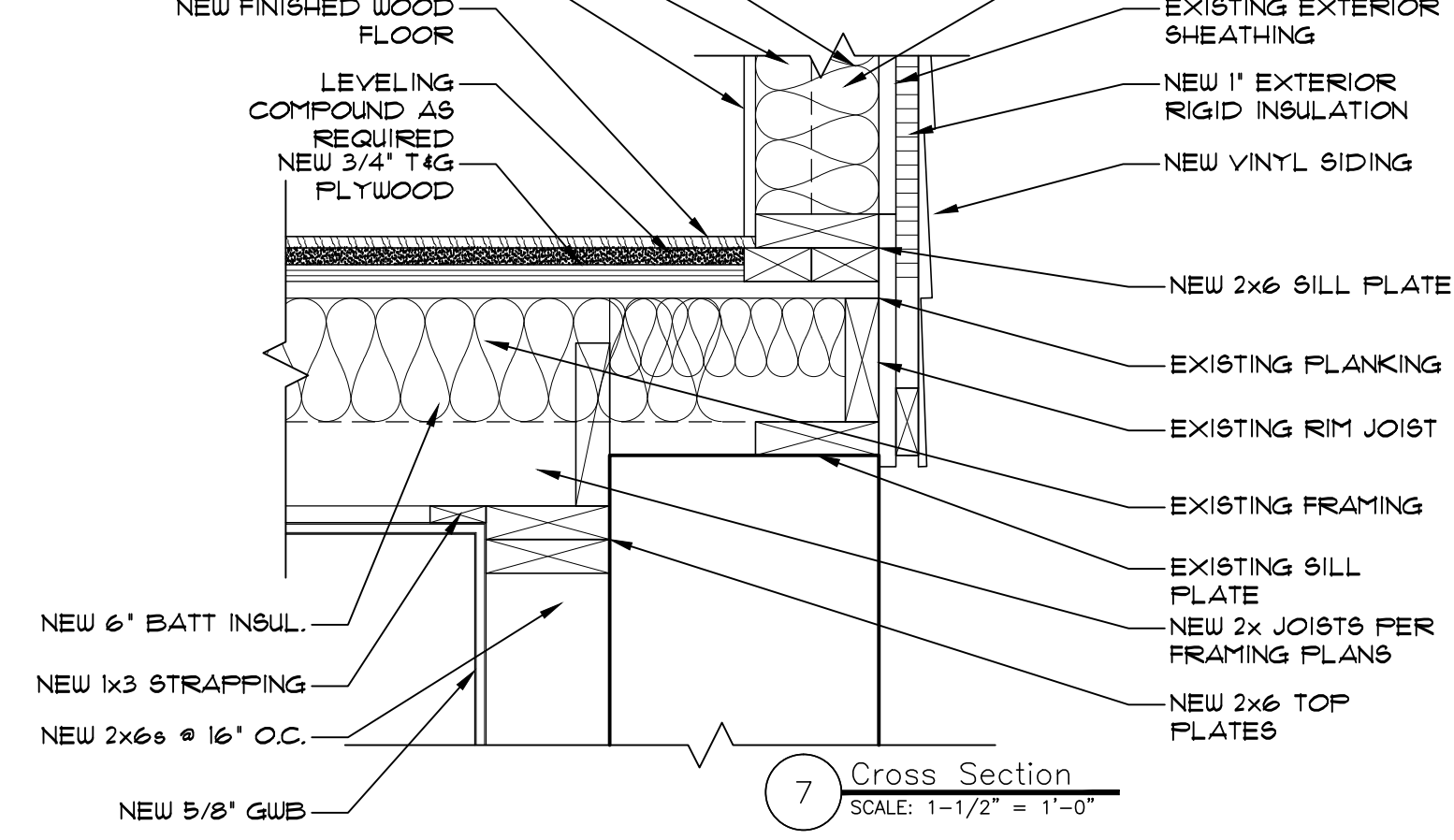
3 Cross Section
 Scale: 1-1/2" = 1'-0"



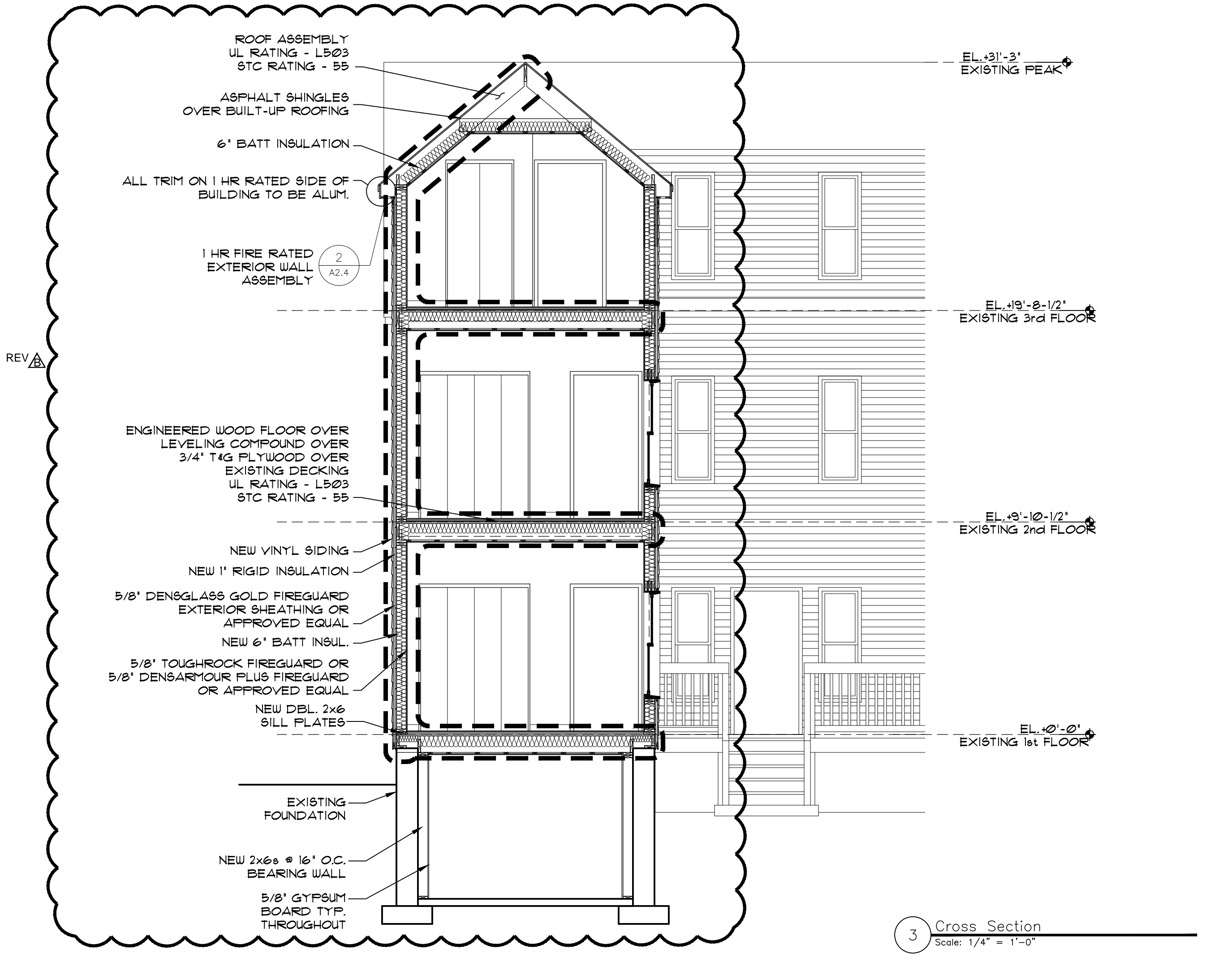
4 Cross Section
 Scale: 1-1/2" = 1'-0"



5 Cross Section
 Scale: 1-1/2" = 1'-0"



6 Cross Section
 Scale: 1-1/2" = 1'-0"



7 Cross Section
 Scale: 1/4" = 1'-0"