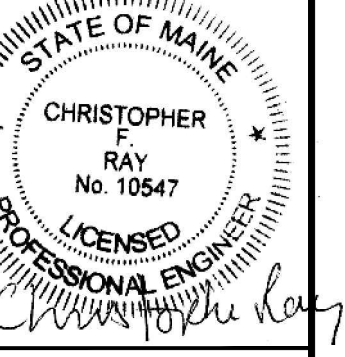




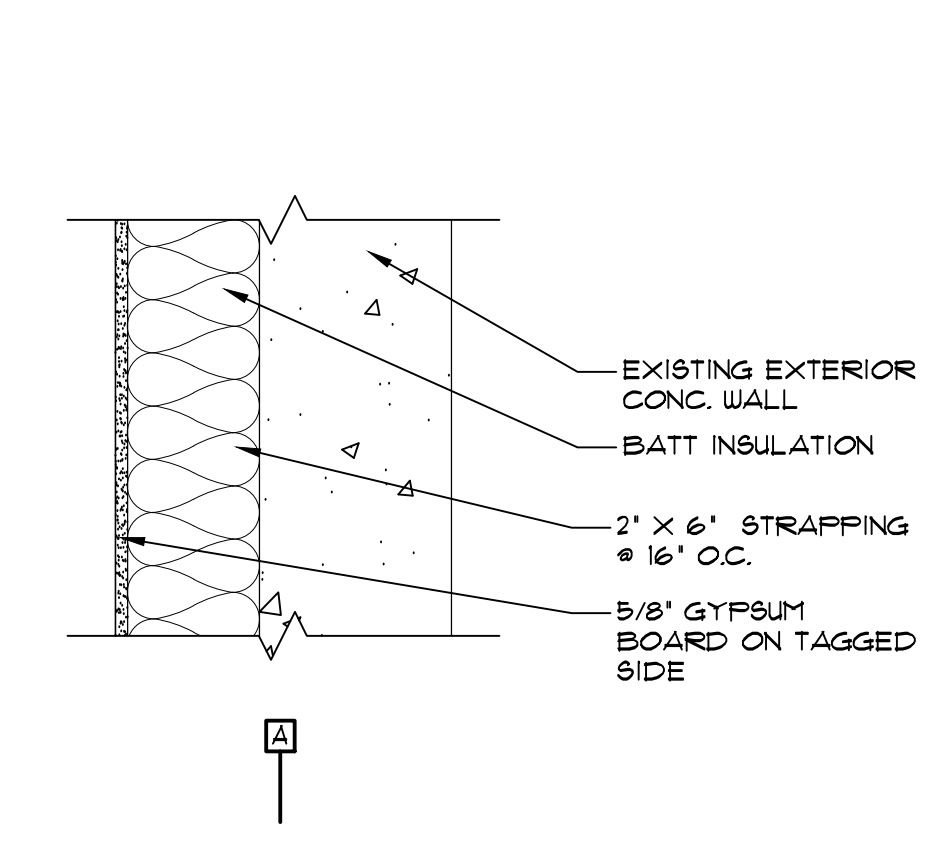
235 Riverside Industrial Parkway  
Portland, ME 04102

Downtown Structural Consultants, LLC

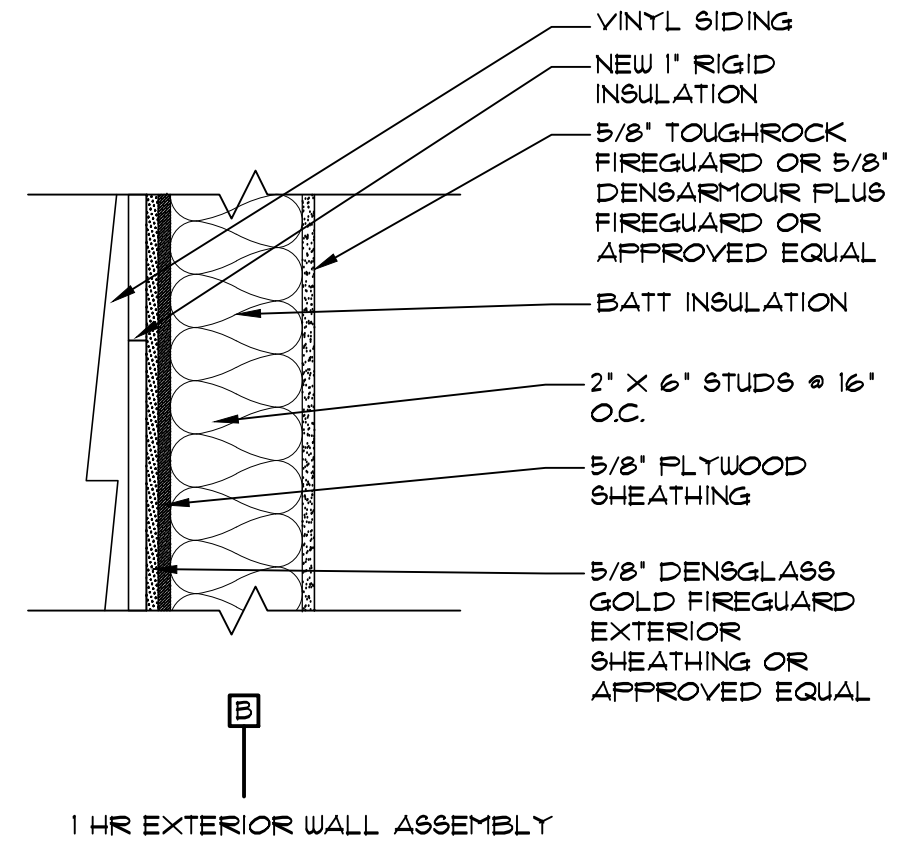
5 Oak Street  
Cumberland, Maine 04102  
phone: 207.629.8015  
email: cty@dsctrust.com



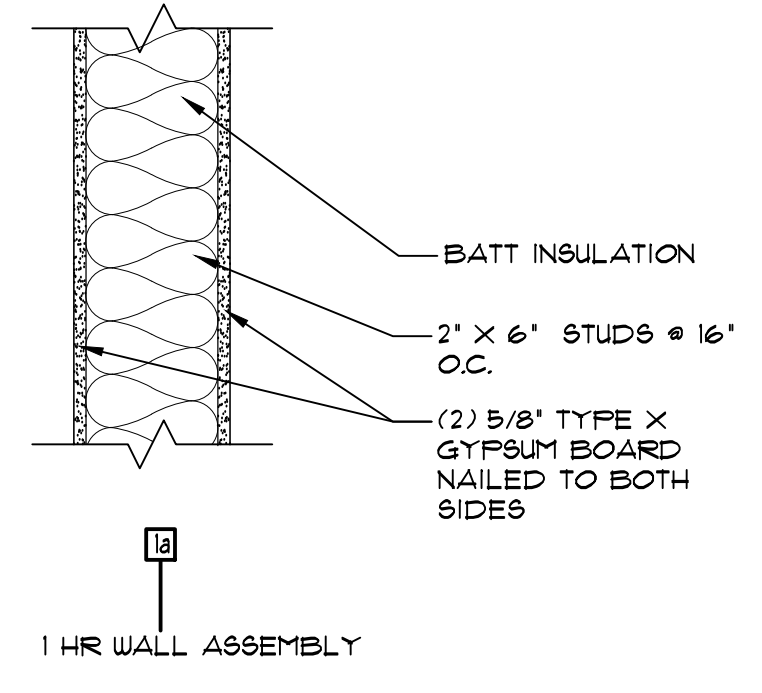
**35 Mayo Street Re-Model**  
Portland, Maine  
Fowler-Greeves Construction



1 EXTERIOR WALL TYPE  
SCALE: 1-1/2" = 1'-0"



2 1HR FIRE RATED EXTERIOR WALL TYPE  
SCALE: 1-1/2" = 1'-0"



3 1HR FIRE RATED PARTITION  
SCALE: 1-1/2" = 1'-0"

DATE	NO	REMARKS	BY
09-24-09	A	REVISED AS PER CITY COMMENT	JJO

CODE: IRC 2003  
TOWN: Portland  
DATE: 09-24-09  
SCALE: AS NOTED  
DRAWN: JJO  
TITLE: DETAILS  
FILE: 015-017-09  
SHEET: A2.4