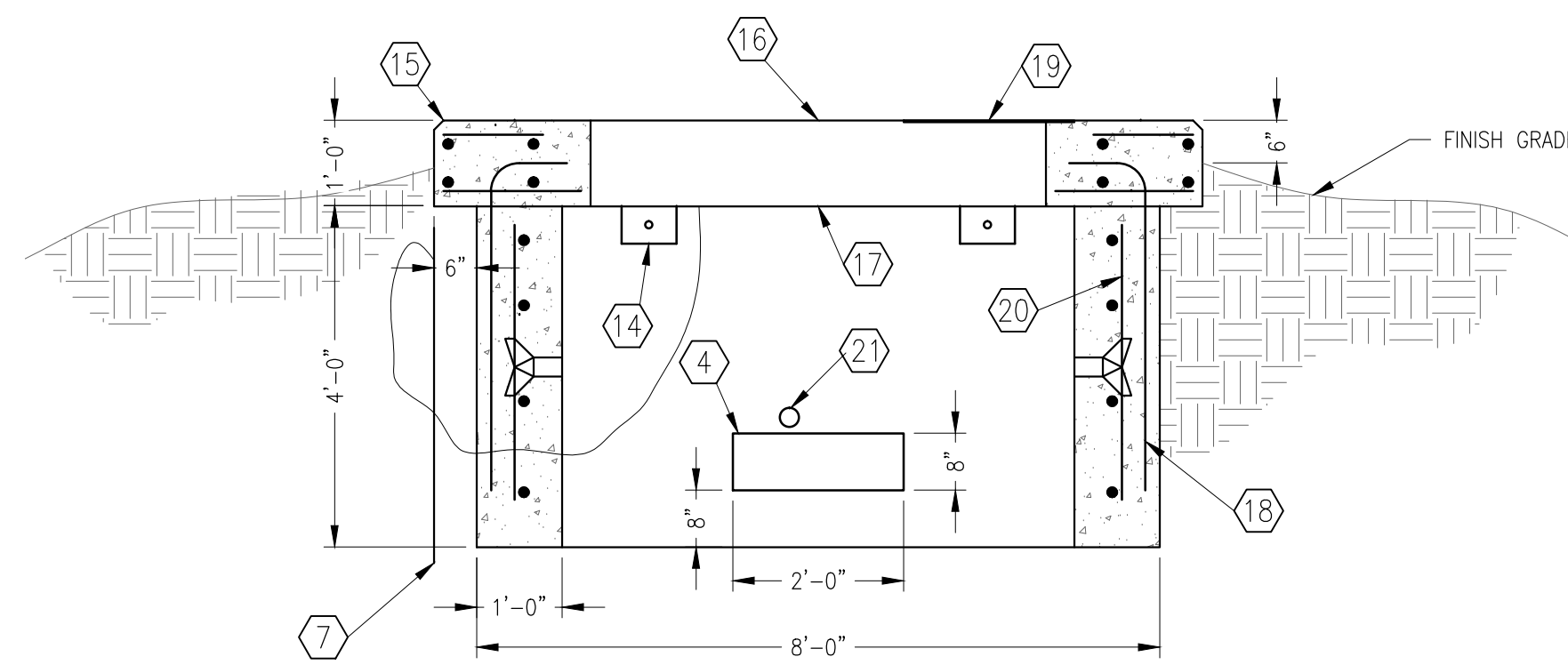
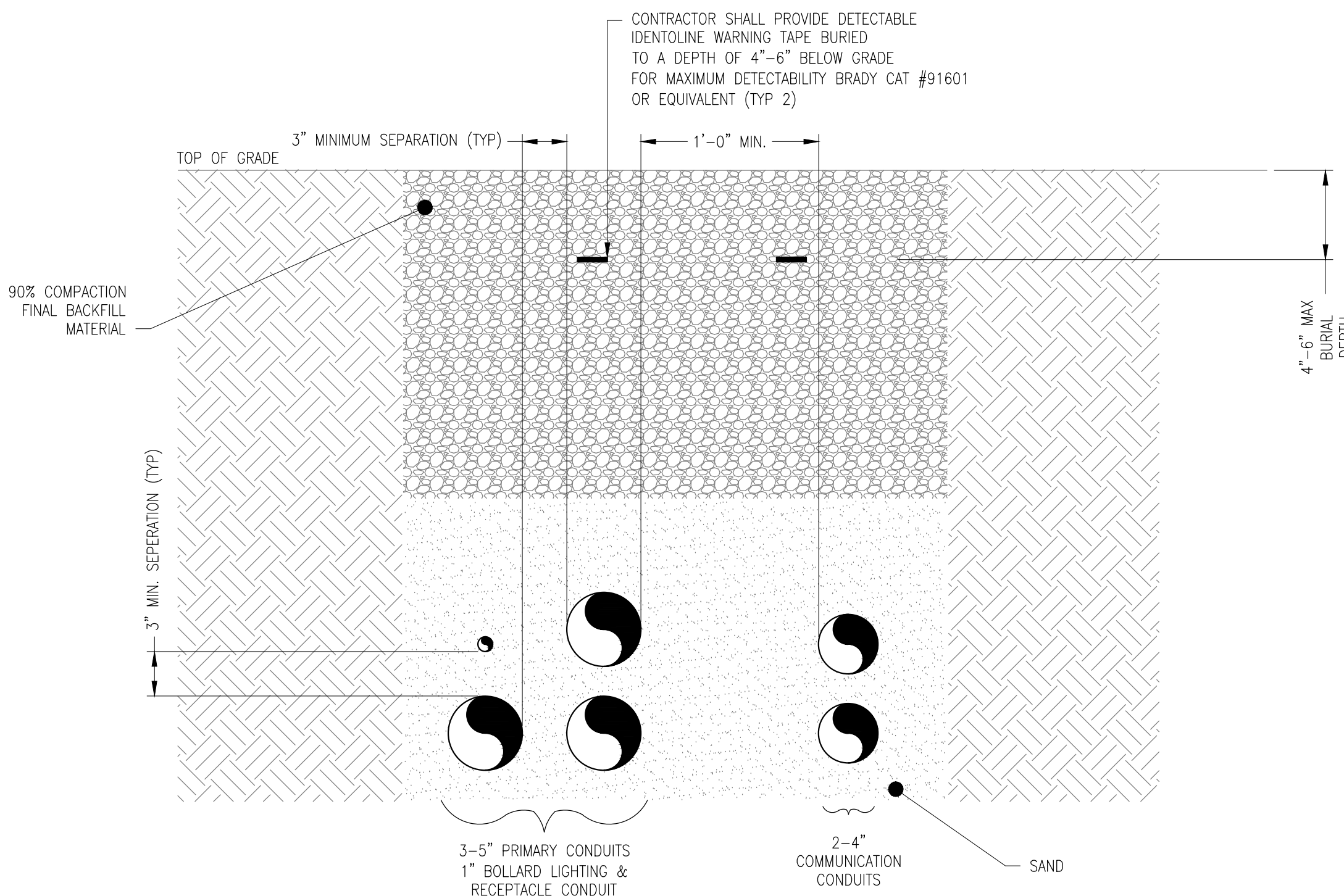


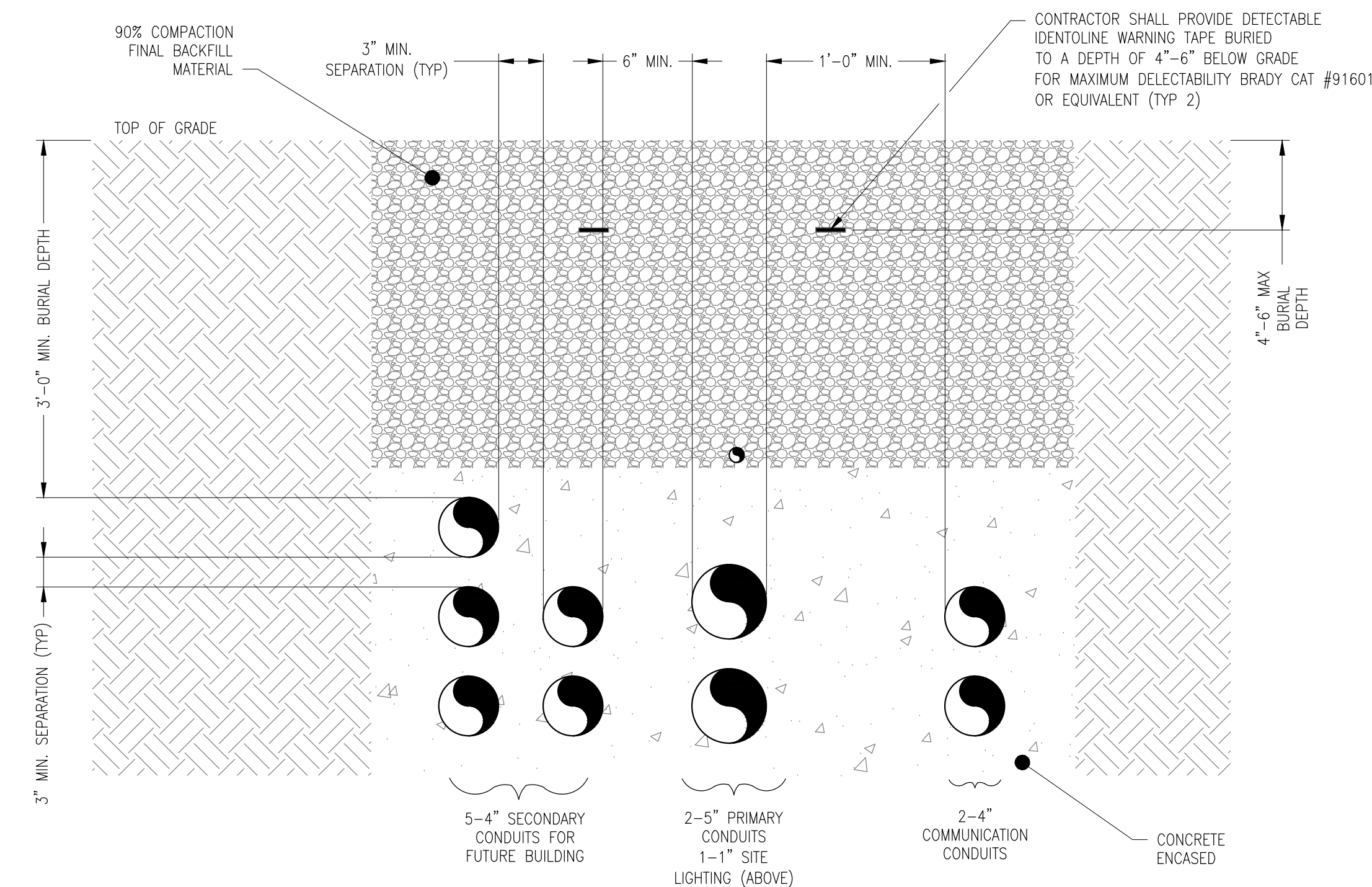
BASE: TYPICAL CORNER SECTION



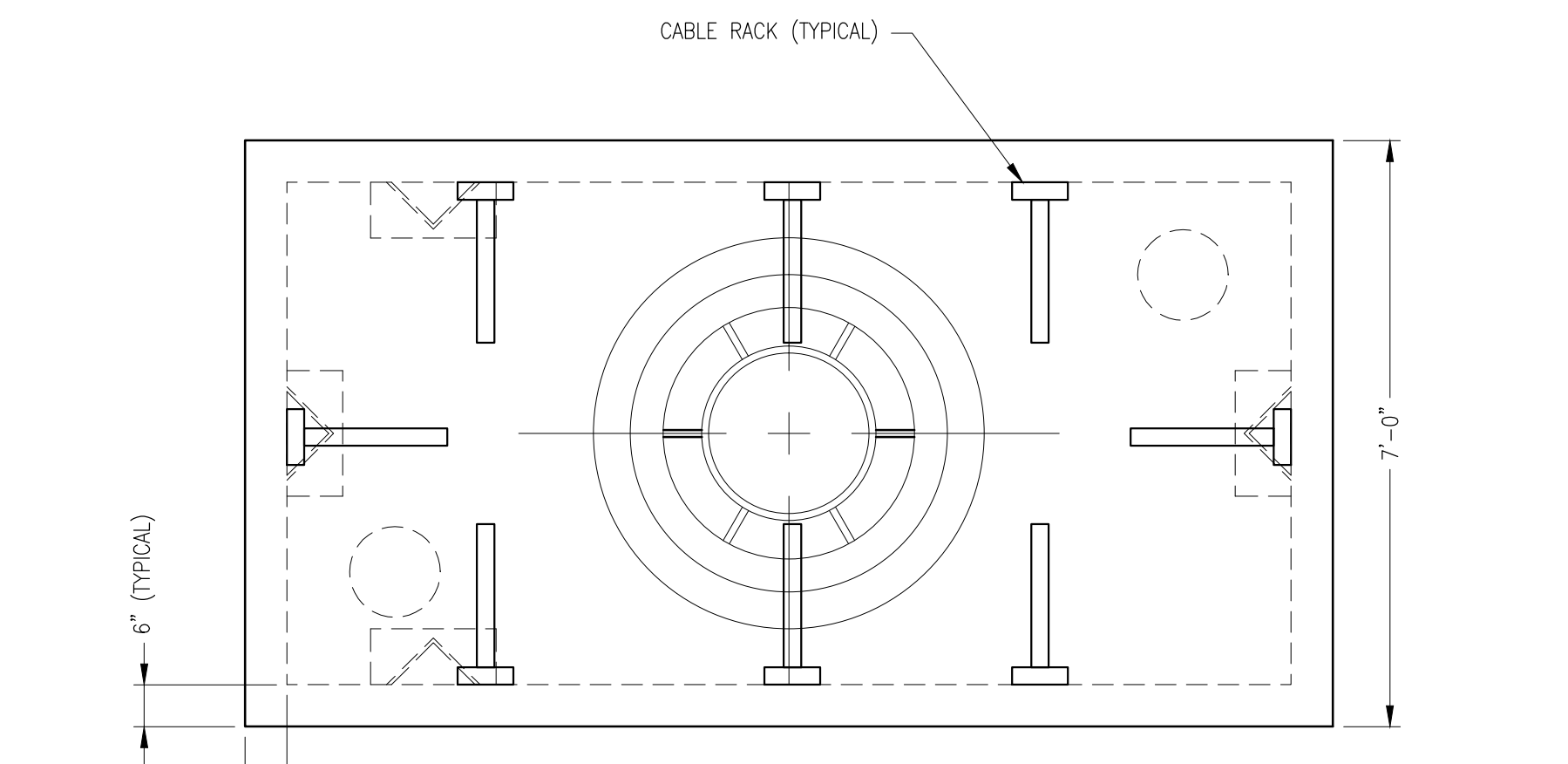
5 TRANSFORMER PAD DETAIL  
E500 SCALE: NONE



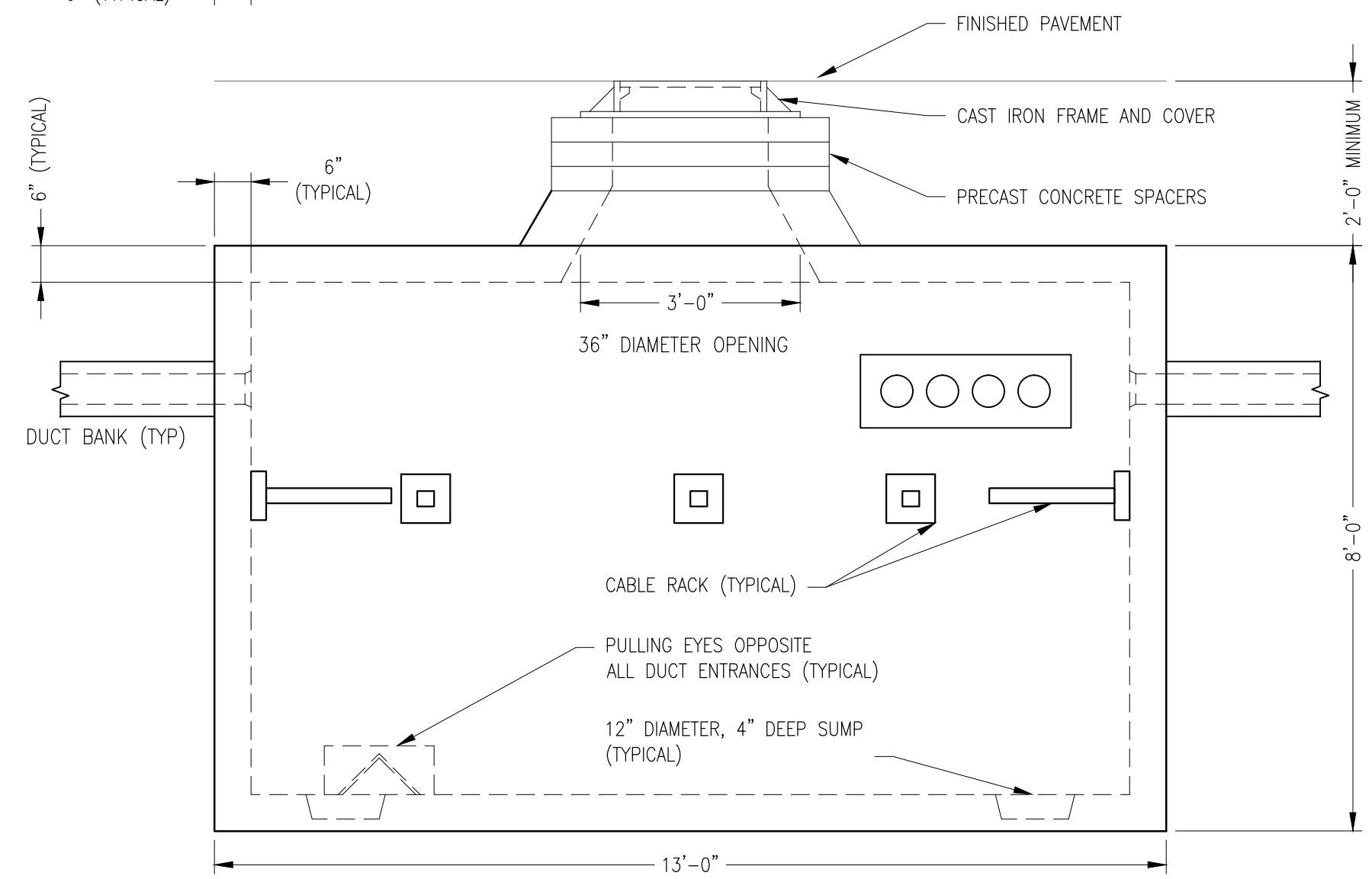
8 UNDERGROUND CONDUIT SECTION  
E500 SCALE: NONE



6 UNDERGROUND CONDUIT SECTION  
E500 SCALE: NONE



PLAN VIEW



SIDE VIEW

7 MANHOLE DETAIL  
E500 SCALE: NONE

KEY NOTES

- FRONT DENOTES THE SIDE ON WHICH THE ACCESS DOORS ARE LOCATED. THE CONCRETE BASE SHALL BE SET ON A SUITABLE GRAVEL BASE AND LOCATED SO THE FRONT IS ACCESSIBLE BY TRUCK AND SUITABLY PROTECTED FROM PLOW AND TRAFFIC DAMAGE.
- BEFORE INSTALLING OR REQUIRING ANY ACTIVE DRAINAGE STRUCTURE (E.G., DRAIN PIPE) INTO THE FOUNDATION OR PAD, THE CONTRACTOR, CMP LINE SUPERVISOR, OR CMP DISTRIBUTION ENGINEER MUST CONTACT CENTRAL MAINE POWER COMPANY'S ENVIRONMENTAL SERVICES DEPARTMENT AT 623-3521 EXT 3479 TO REQUEST A SITE INSPECTION.
- FINISH GRADE SHALL BE GRADED IN SUCH A MANNER TO ALLOW SURFACE WATER TO FLOW AWAY FROM THE PAD.
- PROVIDE 8"x24" CABLE HOLES (BOND OUTS) 8" UP THE WALL FROM THE BASE. LOCATE ONE CABLE HOLE PER WALL, MORE IF NECESSARY. LINE UP CABLE HOLES WITH TRENCH.
- CONDUITS ENTERING CONCRETE STRUCTURES SCHED. 40 PVC.
- A 3/4"x8" GALVANIZED GROUND ROD IS TO BE INSTALLED 6" IN FRONT OF THE LEFT FRONT CORNER OF THE FOUNDATION. THE TOP OF THE GROUND ROD IS TO BE 6" BELOW FINAL GRADE. GROUND ROD FURNISHED BY CMP.
- A GROUND WIRE SHALL BE INSTALLED FROM THE GROUND ROD THROUGH THE CABLE HOLE AT THE BOTTOM OF THE PAD. 20 FEET OF GROUND WIRE SHALL BE PROVIDED SO THAT IT CAN BE INSTALLED THROUGH THE TWO GROUNDING LUGS AND CONNECTED TO THE NEUTRAL SPADE. SIZE OF WIRE #4 BARE STRANDED.
- CONCRETE COMPRESSIVE STRENGTH SHALL BE 4000 PSI @ 28 DAYS. FOR CAST-IN-PLACE EARLY HIGH STRENGTH MAY BE USED WITH A MINIMUM OF SEVEN DAY CURE TIME.
- REINFORCING STEEL TO HAVE: FY = 60 KSI.
- FOR PRECAST UNITS: THE PRECAST SUPPLIER SHALL PROVIDE LIFTING LUGS IN THE SLAB (FOUNDATION) AND BASE; THE PRECAST SUPPLIER SHALL ASSEMBLE THE SLAB TO THE BASE PRIOR TO SHIPPING TO THE SITE TO ENSURE THAT THE SLAB AND BASE FIT PROPERLY (WITH NO ROCKING OF THE SLAB EVIDENT).
- USE A 24"x24"x1/4" GALVANIZED STEEL PLATE TO COVER A PORTION OF THE CABLE HOLE WHEN THE TRANSFORMER DOES NOT COMPLETELY COVER IT. CUT THE STEEL PLATE TO FIT, IF NECESSARY.
- 9-#5 REBAR EVENLY SPACED EACH WAY TOP TO BOTTOM.
- 2-#4 CORNER DIAGONAL REBAR 2'-0" LONG TOP AND BOTTOM.
- 4"x4"x1/2" ANGLE 6" LONG WITH 2-3/4" DIAMETER EXPANSION ANCHORS TYPICAL 4 PLACES (TWO PIECE PRECAST ONLY)
- CHAMFER TYPICAL.
- 2" CONCRETE COVER OVER TOP REBAR.
- 3" CONCRETE COVER OVER BOTTOM REBAR.
- #5 L-BAR @12" (CAST IN PLACE ONLY)
- 24"x24"x1/4" GALVANIZED STEEL PLATE. MID#6000621 95
- #5 REBAR ON 12" CENTERS
- PULLING EYE INSERT, FOR USE WITH 3/4" NATIONAL COURSE THREAD EYE-BOLT, (RICHMOND LCB-1 OR EQUIVALENT). LOCATE OPPOSITE EACH CABLE HOLE AND 2" FROM THE BOTTOM.
- ALL REBAR ENDS TO BE COVERED BY 1" CONCRETE, MINIMUM.

KAPLAN THOMPSON ARCHITECTS  
424 FORE ST.  
PORTLAND, ME 04101  
207-842-2888

PORTLAND HOUSING  
14 BAXTER BLVD  
PORTLAND, ME 04101  
P: 207.773.4753

AVESTA HOUSING  
307 CUMBERLAND AVE  
PORTLAND, ME 04101  
P: 207.553.7777

CARROLL ASSOCIATES LANDSCAPE ARCHITECTS  
271 COMMERCIAL STREET, STE 200  
PORTLAND, MAINE 04101  
207.772.1552 V. F. 207.772.0712

BECKER CONSULTANTS ENGINEERS  
75 YORK ST.  
PORTLAND, ME 04101  
P: 207.879.1838

RANSOM Consulting Engineers and Scientists  
400 COMMERCIAL ST. SUITE 404  
PORTLAND, ME 04101  
P: 207.772.2891

190 US ROUTE ONE  
PMB 346 FALMOUTH, ME  
04105  
P: 207.847.3445

PRICING DOCUMENTS

Project: BAYSIDE ANCHOR  
PHDC & Avesta  
81 East Oxford Street  
Portland, ME

Drawing: ELECTRICAL DETAILS SHEET 2 OF 3  
Scale: AS NOTED  
Date: 9/1/15  
Drawn by: ACY  
Revised:

