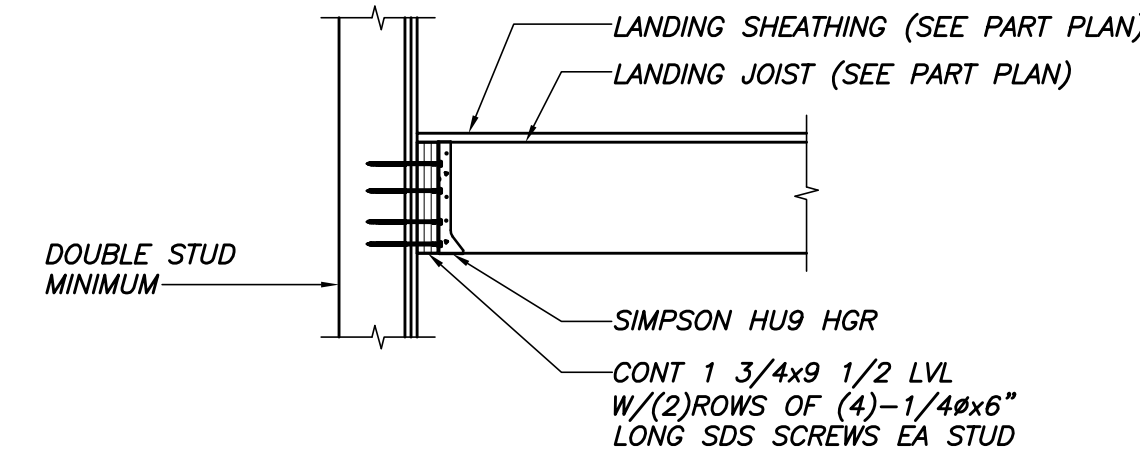
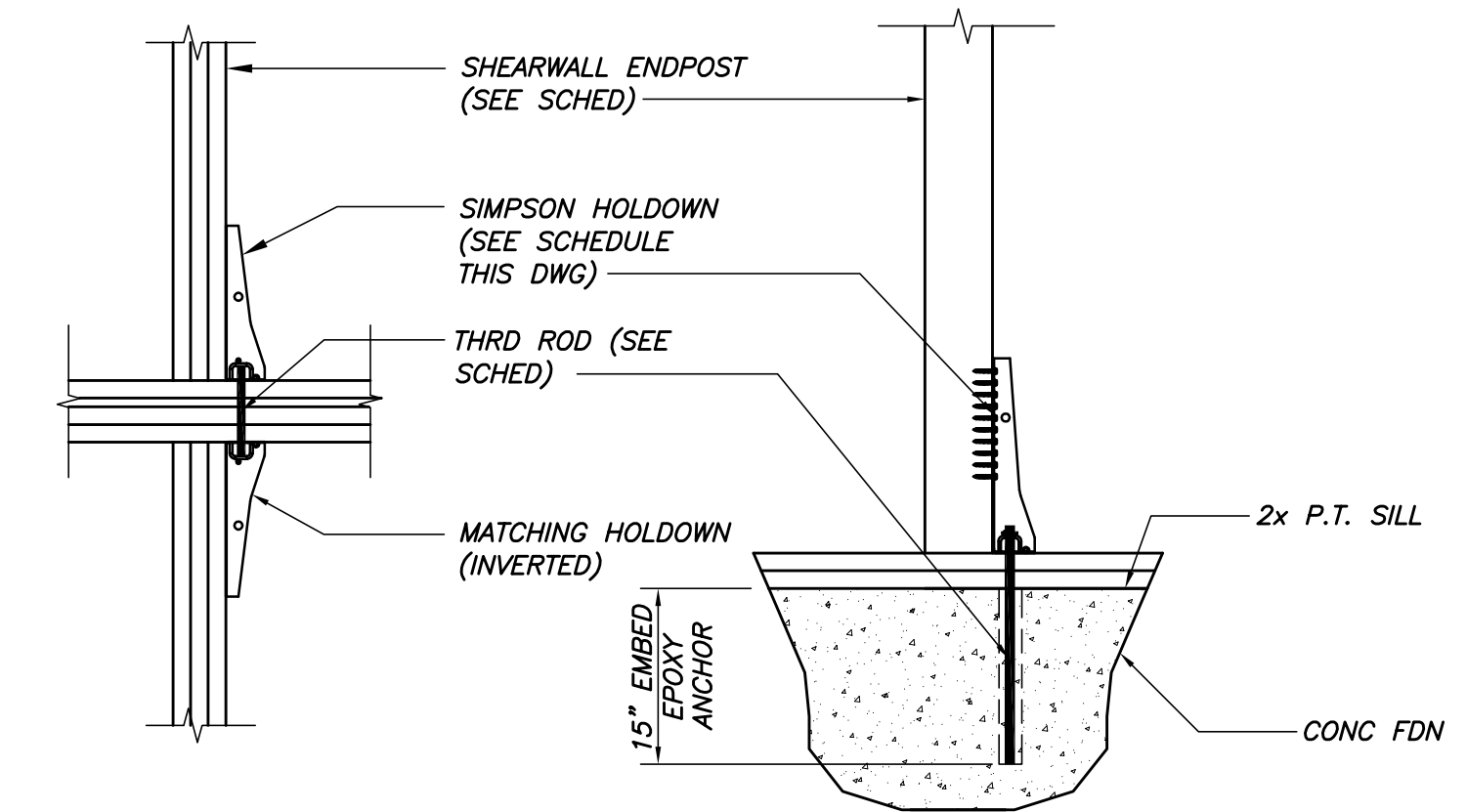


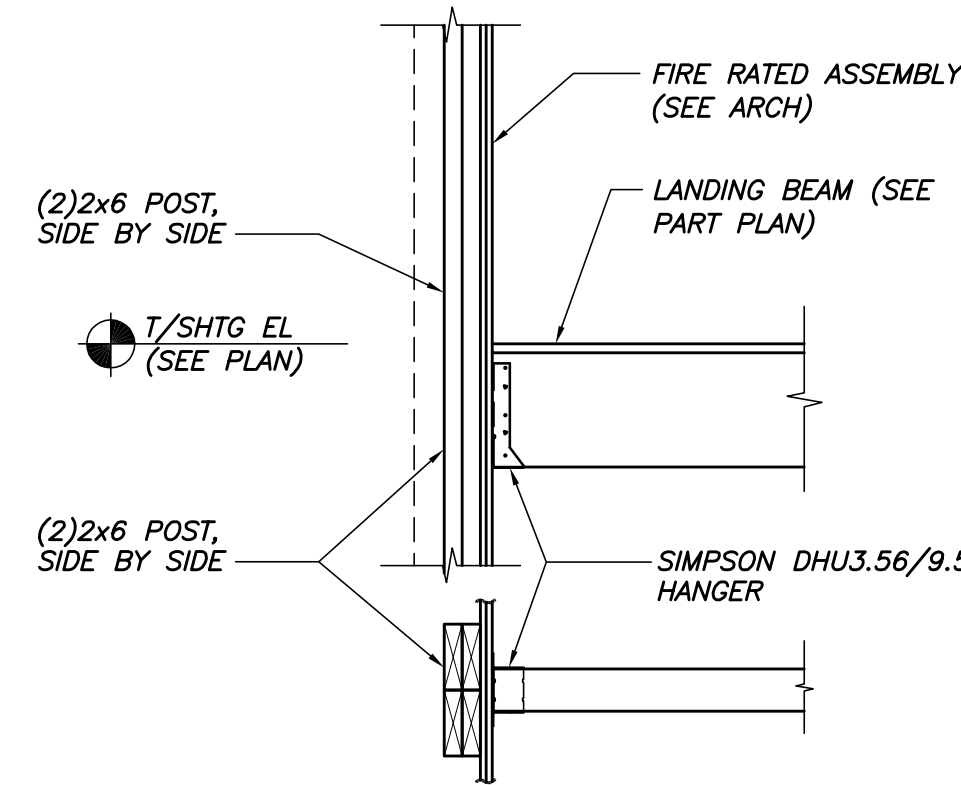
SECTION 1
3/4"=1'-0" S103



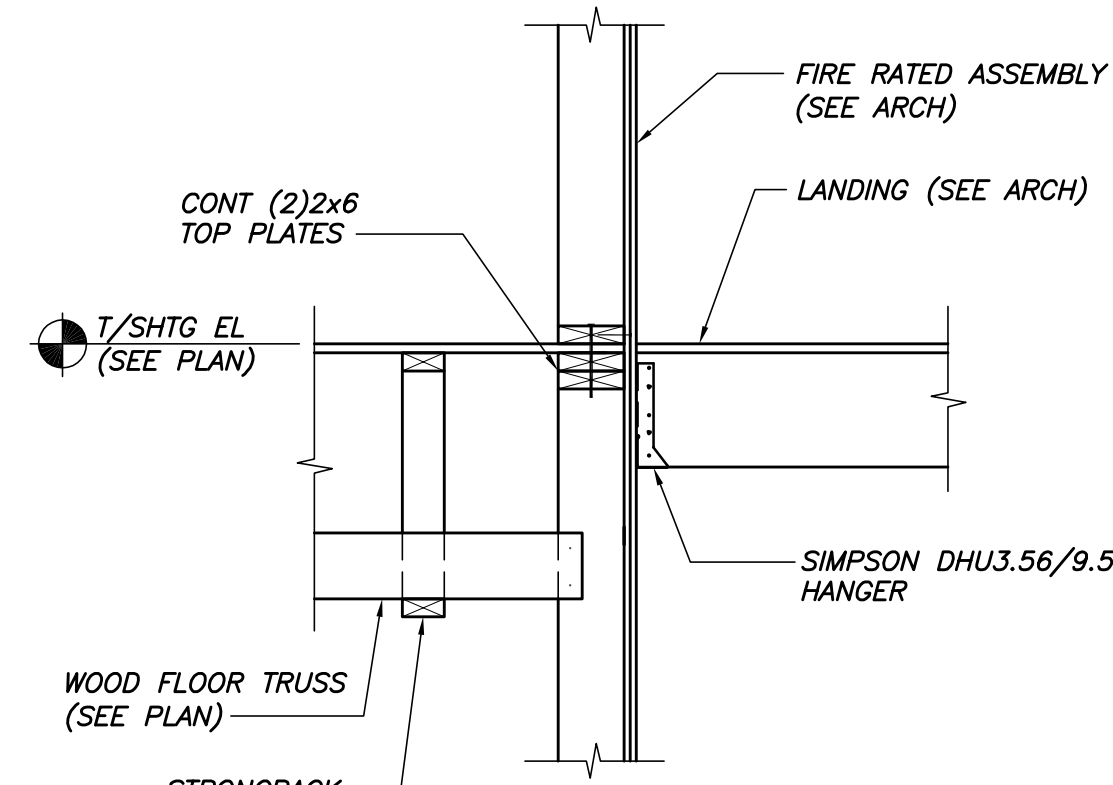
SECTION 2
3/4"=1'-0" S103



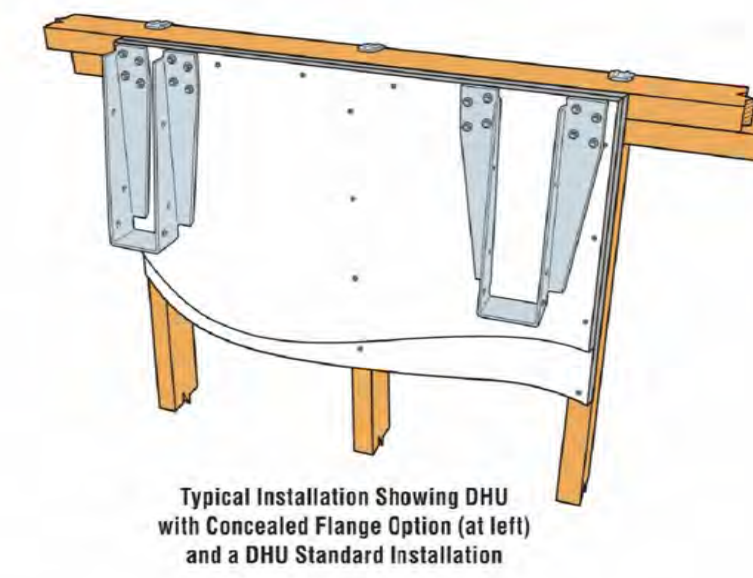
AT UPPER LEVELS AT FOUNDATION
TYP HOLDOWN DETAILS



SECTION 3
3/4"=1'-0" S103

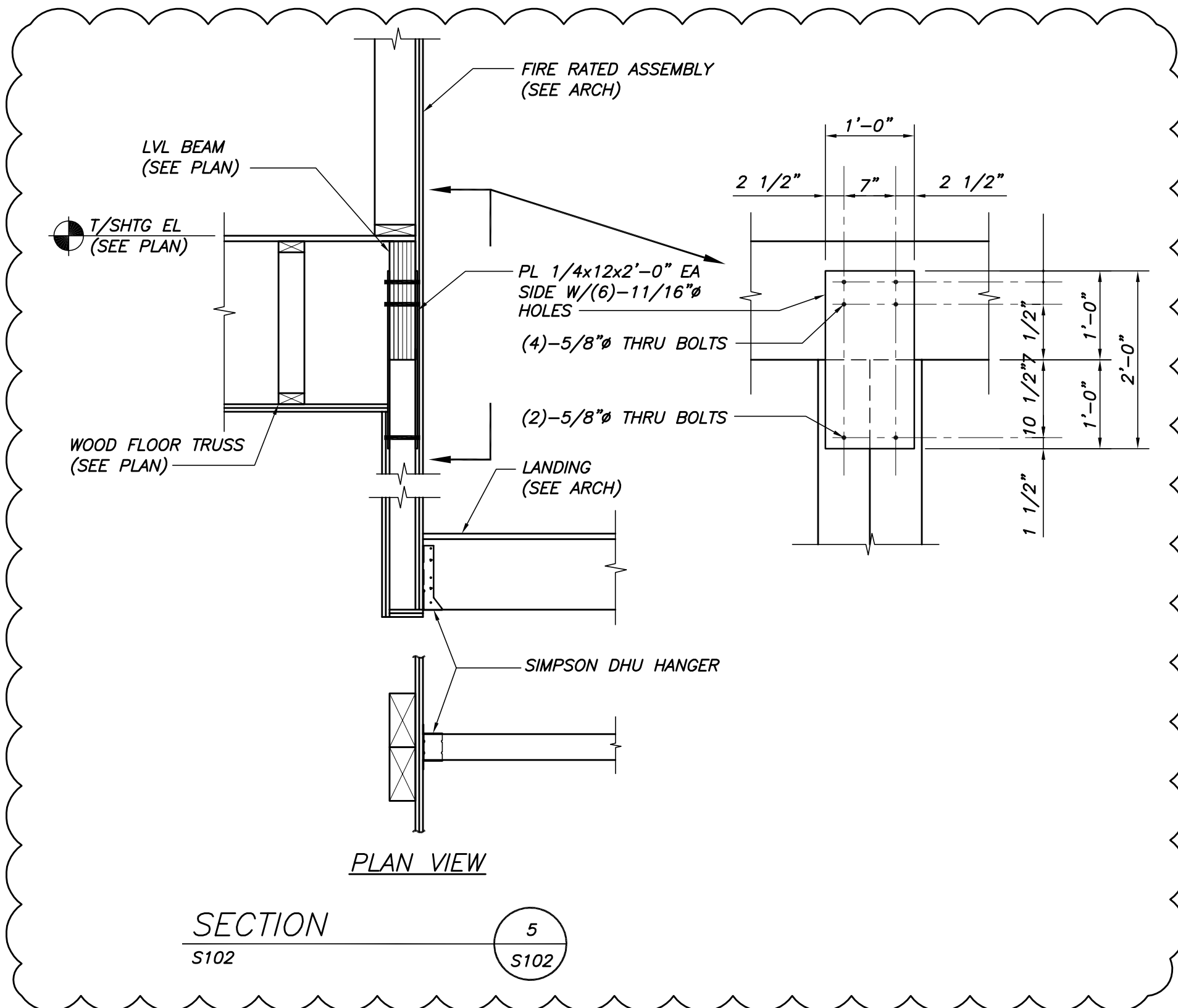


SECTION 4
3/4"=1'-0" S103

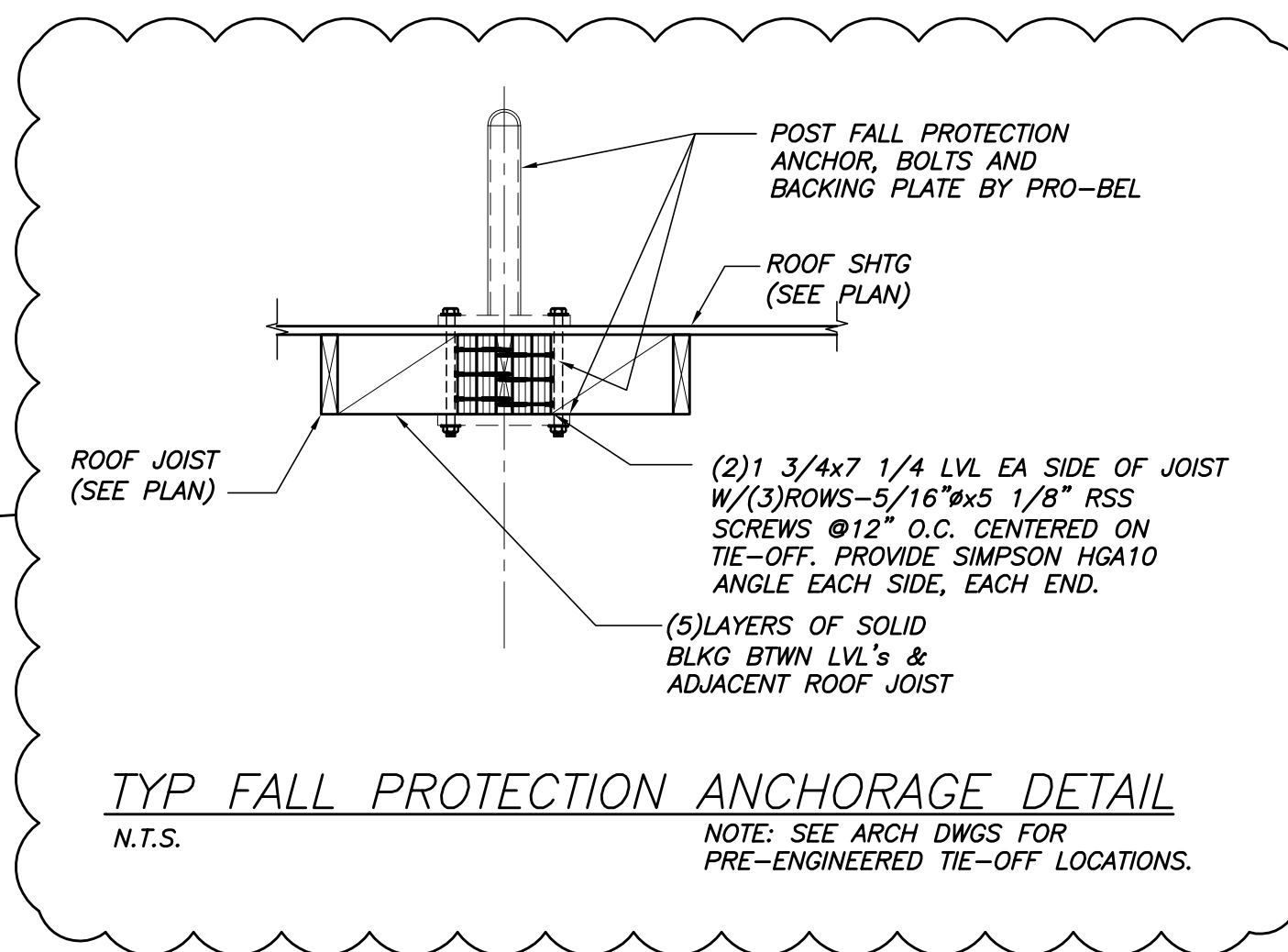


SIMPSON DHU ISOMETRIC
N.T.S.

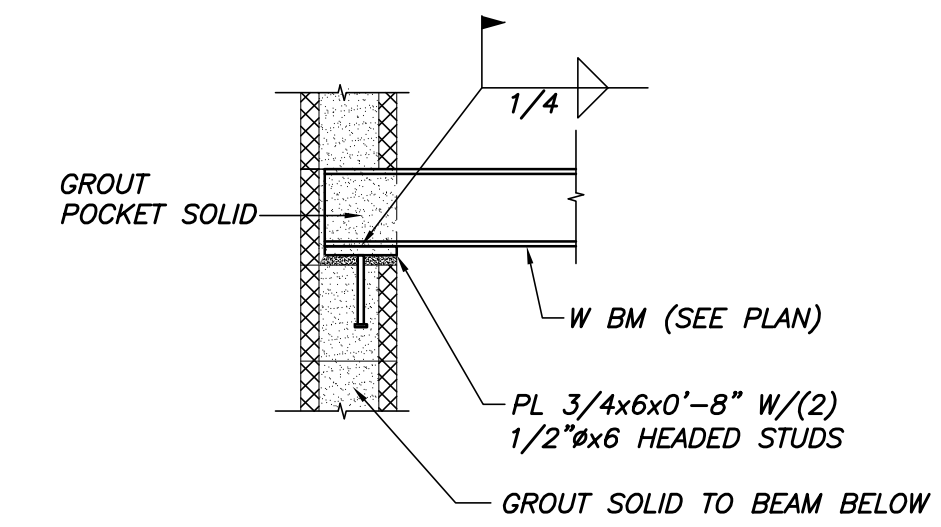
HOLDOWN SCHEDULE			
LEVEL	MARK	SIMPSON HOLDOWN	END POST (MIN)
4th	H.D.-1	HDU4 W/5/8" A36 ROD	(2)2x6
3rd	H.D.-2	HDUB W/7/8" A36 ROD	(3)2x6
1st & 2nd	H.D.-3	HDU14 W/1" A36 ROD	5 1/4x5 1/4



SECTION 5
S102



TYP FALL PROTECTION ANCHORAGE DETAIL
N.T.S.



TYP CMU BEAM POCKET DETAIL
N.T.S.