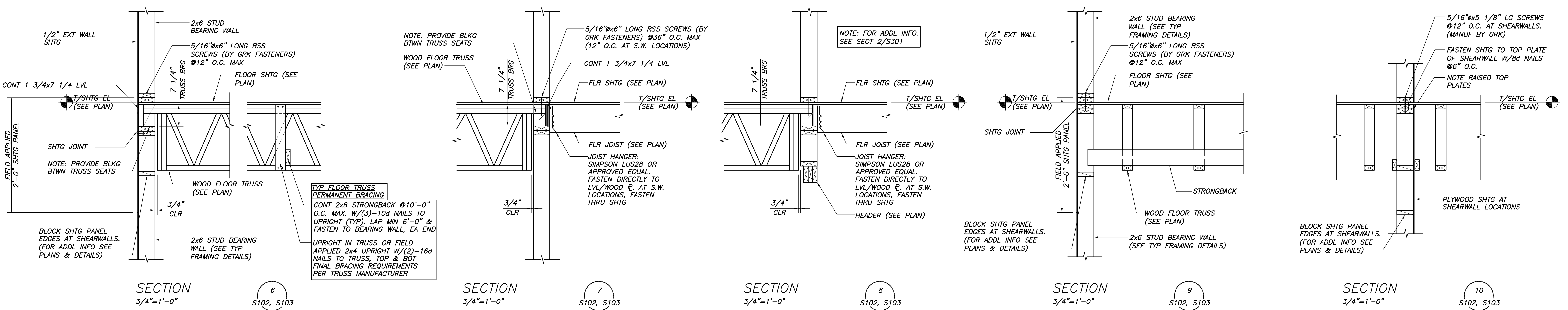
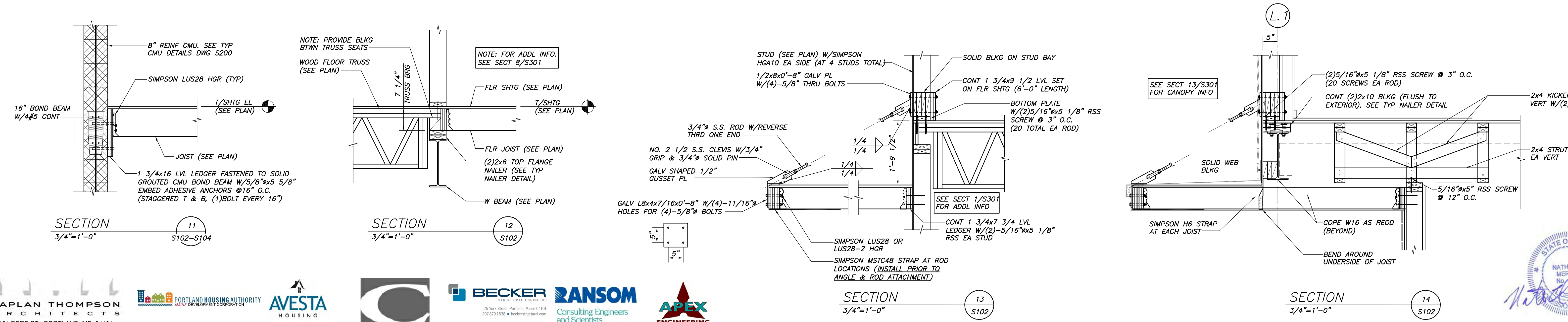


SEE ARCH DWGS FOR INSULATION & MOISTURE BARRIER REQUIREMENTS.



TYP FLOOR TRUSS PERMANENT BRACING
CONT 2x6 STRONGBACK @10'-0" O.C. MAX. W/(3)-10d NAILS TO UPRIGHT (TYP). LAP MIN 6'-0" & FASTEN TO BEARING WALL, EA END
UPRIGHT IN TRUSS OR FIELD APPLIED 2x4 UPRIGHT W/(2)-16d NAILS TO TRUSS, TOP & BOT FINAL BRACING REQUIREMENTS PER TRUSS MANUFACTURER



KAPLAN THOMPSON ARCHITECTS
424 FORE ST., PORTLAND, ME 04101
207-842-2888

PORTLAND HOUSING AUTHORITY
14 BAXTER BLVD
PORTLAND, ME 04101
P: 207.773.4753

AVESTA HOUSING
307 CUMBERLAND AVE
PORTLAND, ME 04101
P: 207.553.7777

CARROLL ASSOCIATES LANDSCAPE ARCHITECTS
217 COMMERCIAL STREET, STE 206
PORTLAND, MAINE 04101
207.772.1922 V. F. 207.772.0712

BECKER STRUCTURAL ENGINEERS
75 YORK STREET, PORTLAND, MAINE 04101
207.879.1838

RANSOM Consulting Engineers and Scientists
400 COMMERCIAL ST. SUITE 404
PORTLAND, ME 04101
P: 207.772.2891

APEX ENGINEERING
190 US ROUTE ONE
PMB 346 FALMOUTH, ME 04105
P: 207.847.3445

PRICING DOCUMENTS

Project: BAYSIDE ANCHOR PHDC & Avesta
81 East Oxford Street
Portland, ME

Drawing: Framing Sections & Details
Scale: Noted
Date: 8/28/15
Drawn by: APP
Revised:



S301