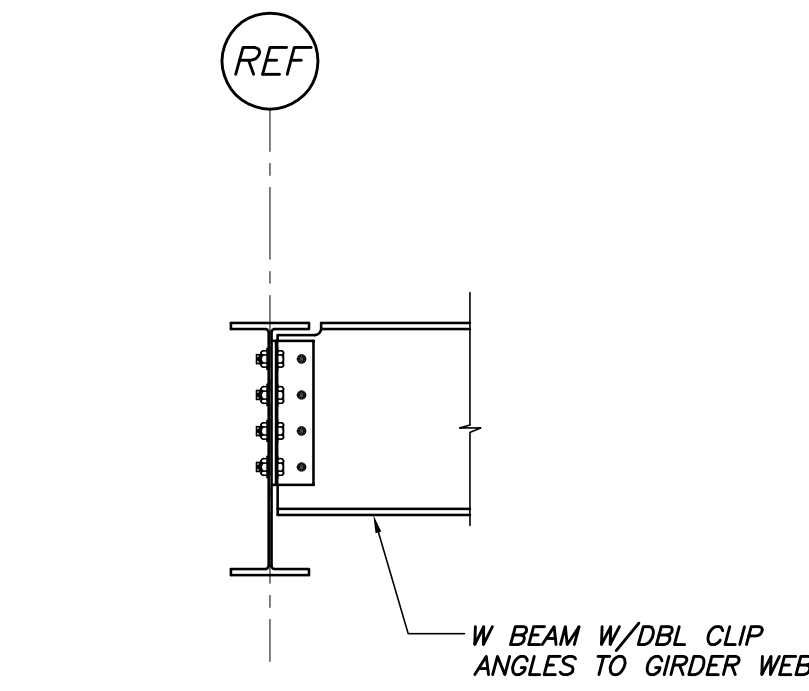
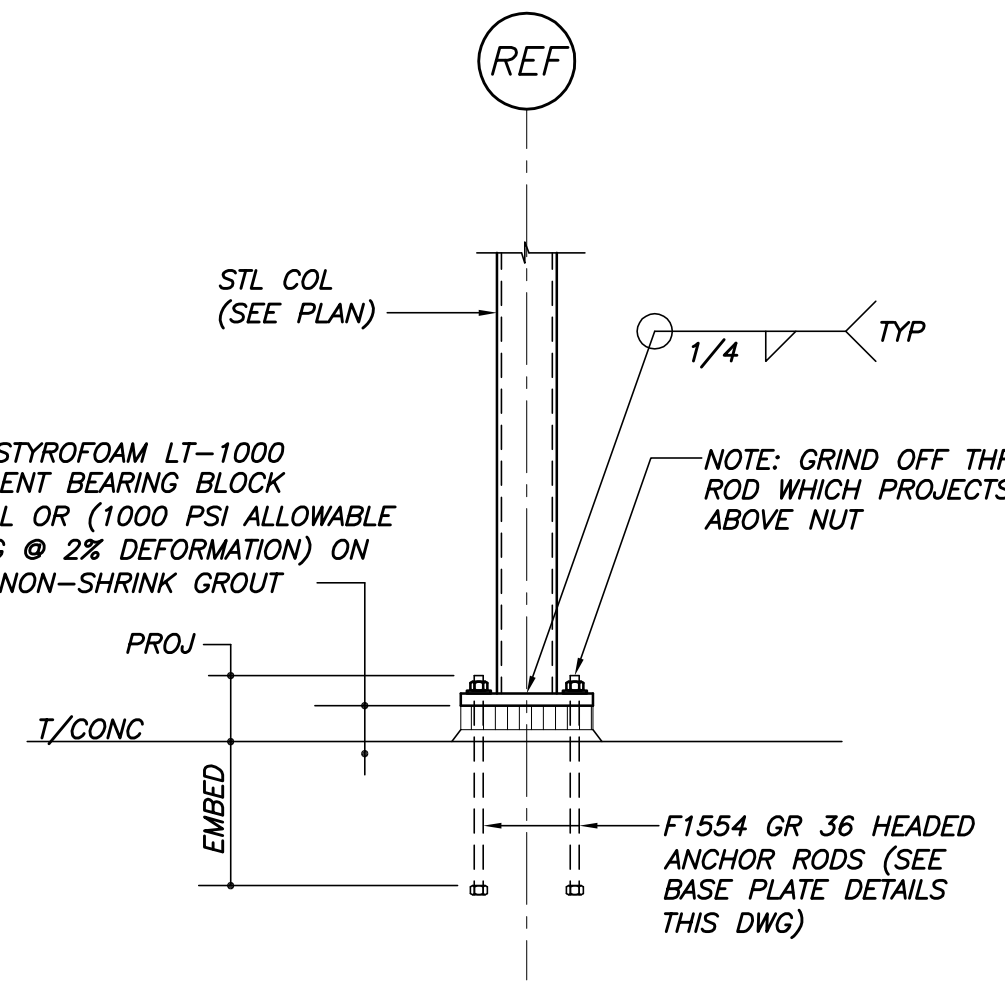


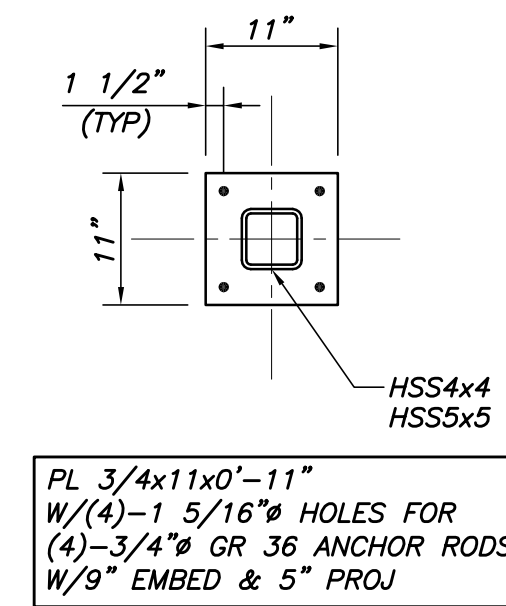
TYP BEAM TO HSS COL CONN U.N.O. N.T.S.



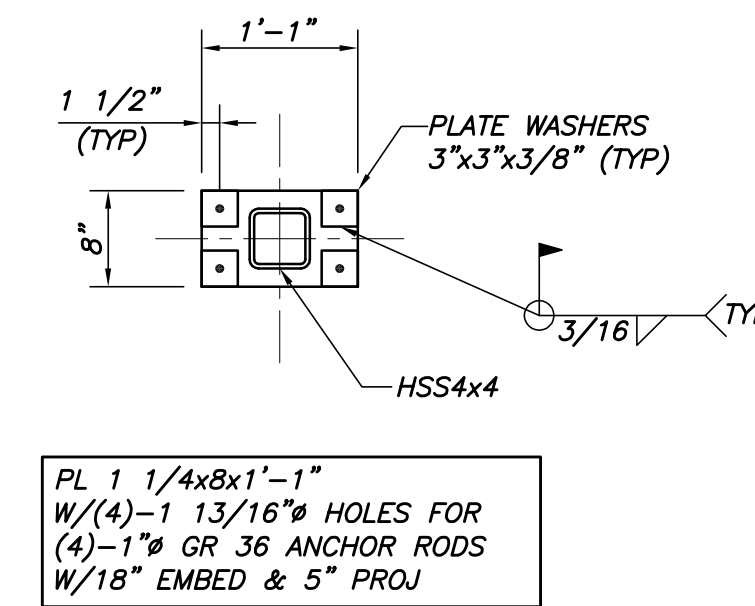
TYP BEAM/BEAM CONN DETAIL N.T.S.



TYP COL BASE DETAIL U.N.O. N.T.S.

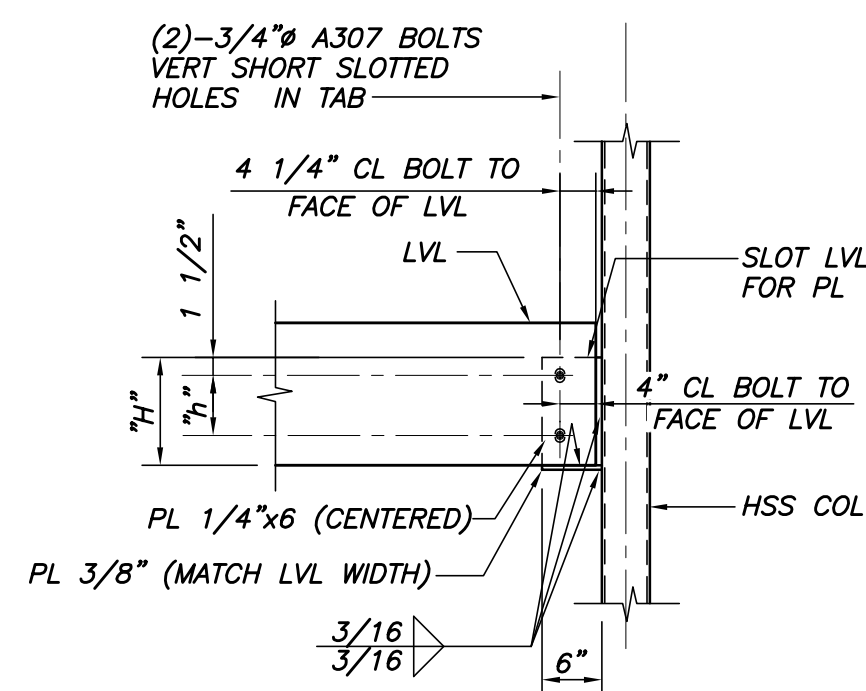


BP-A



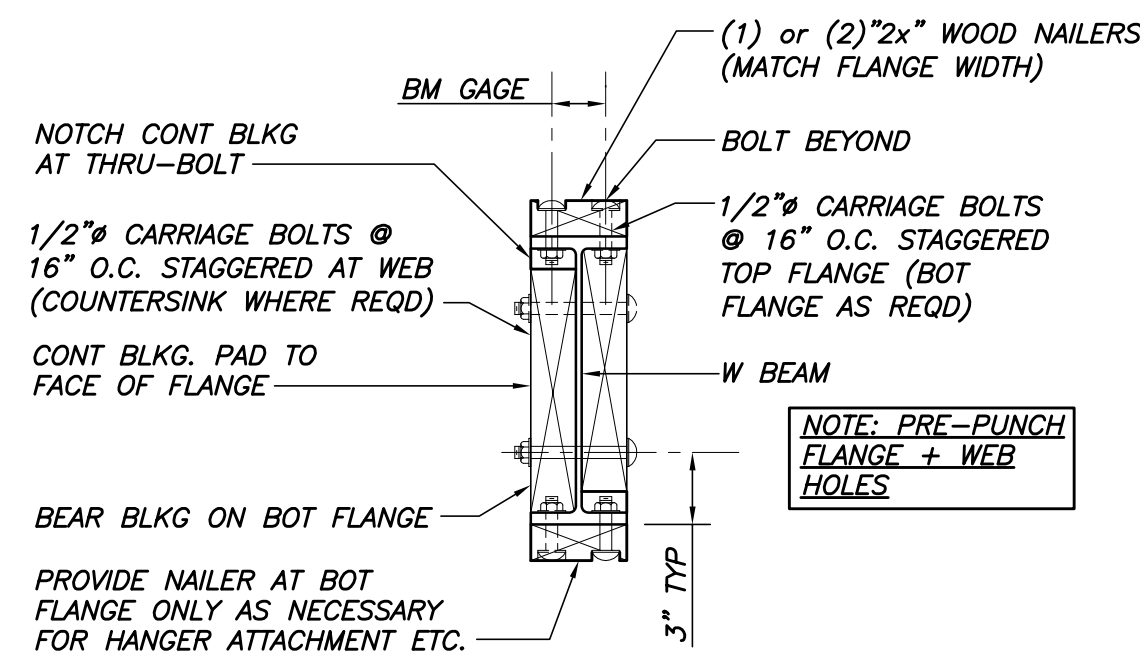
BP-B

STRUCTURAL STEEL BRACED FRAME ELIMINATED, SEE ITEM 4.0 ON P.B.A.

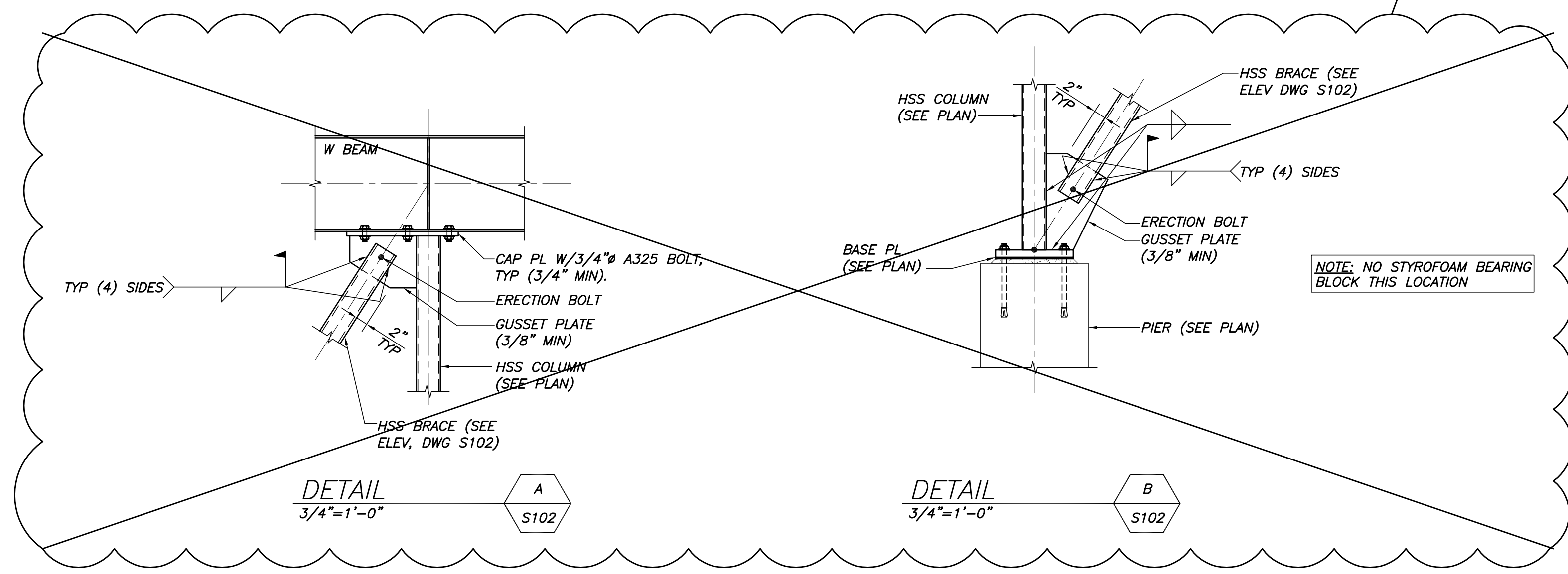


| LVL DEPTH      | 7 1/4" | 7" |
|----------------|--------|----|
| 7 1/4"         | 6"     | 3" |
| 9 1/4"-11 7/8" | 8"     | 5" |
| 14"-16"        | 12"    | 9" |

TYP LVL TO HSS COL CONN 3/4"=1'-0"

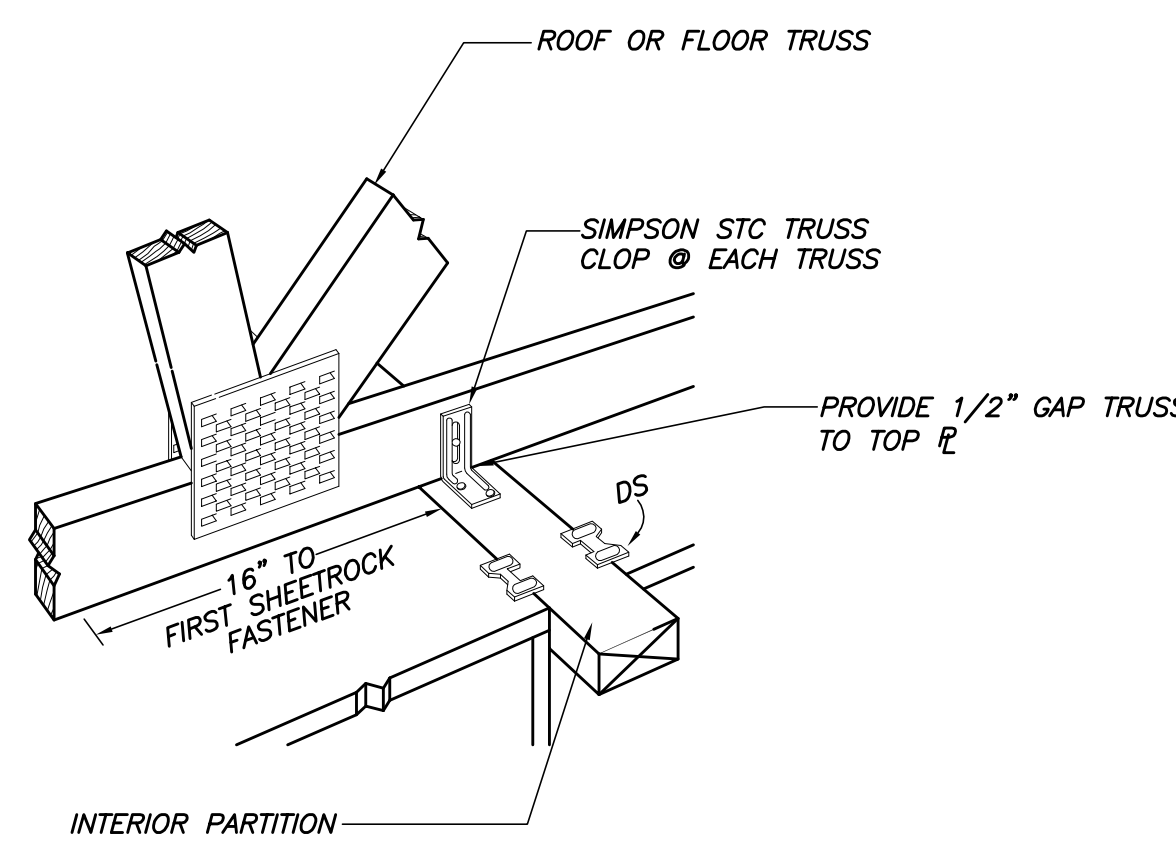


TYP WOOD NAILER/WEB BLKG TO W-BM DETAIL N.T.S.



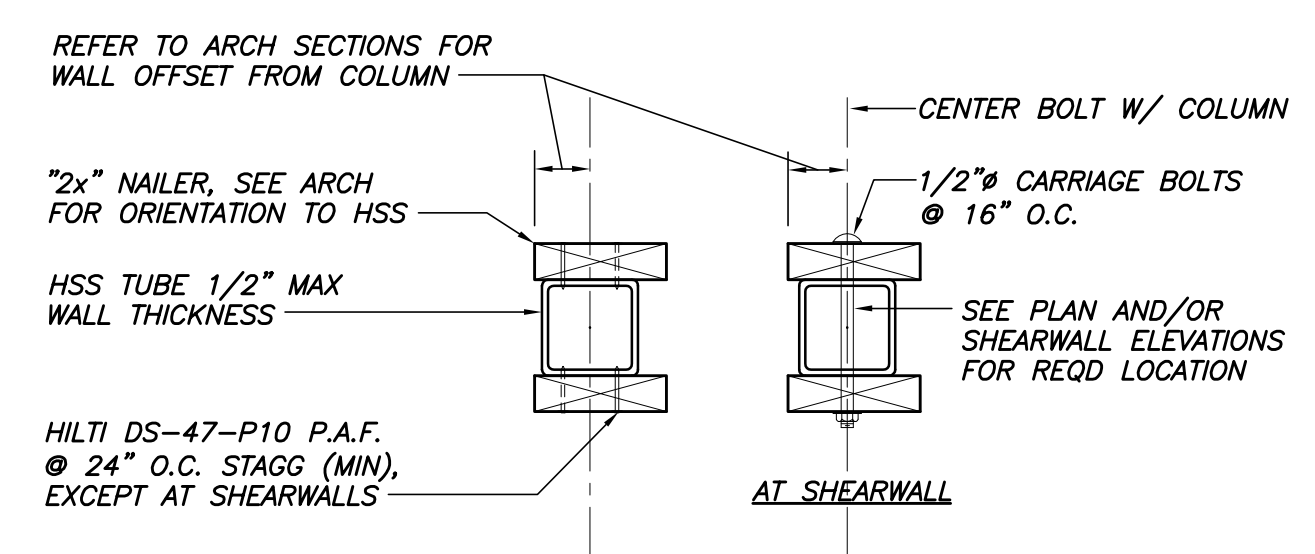
DETAIL 3/4"=1'-0" A S102

DETAIL 3/4"=1'-0" B S102

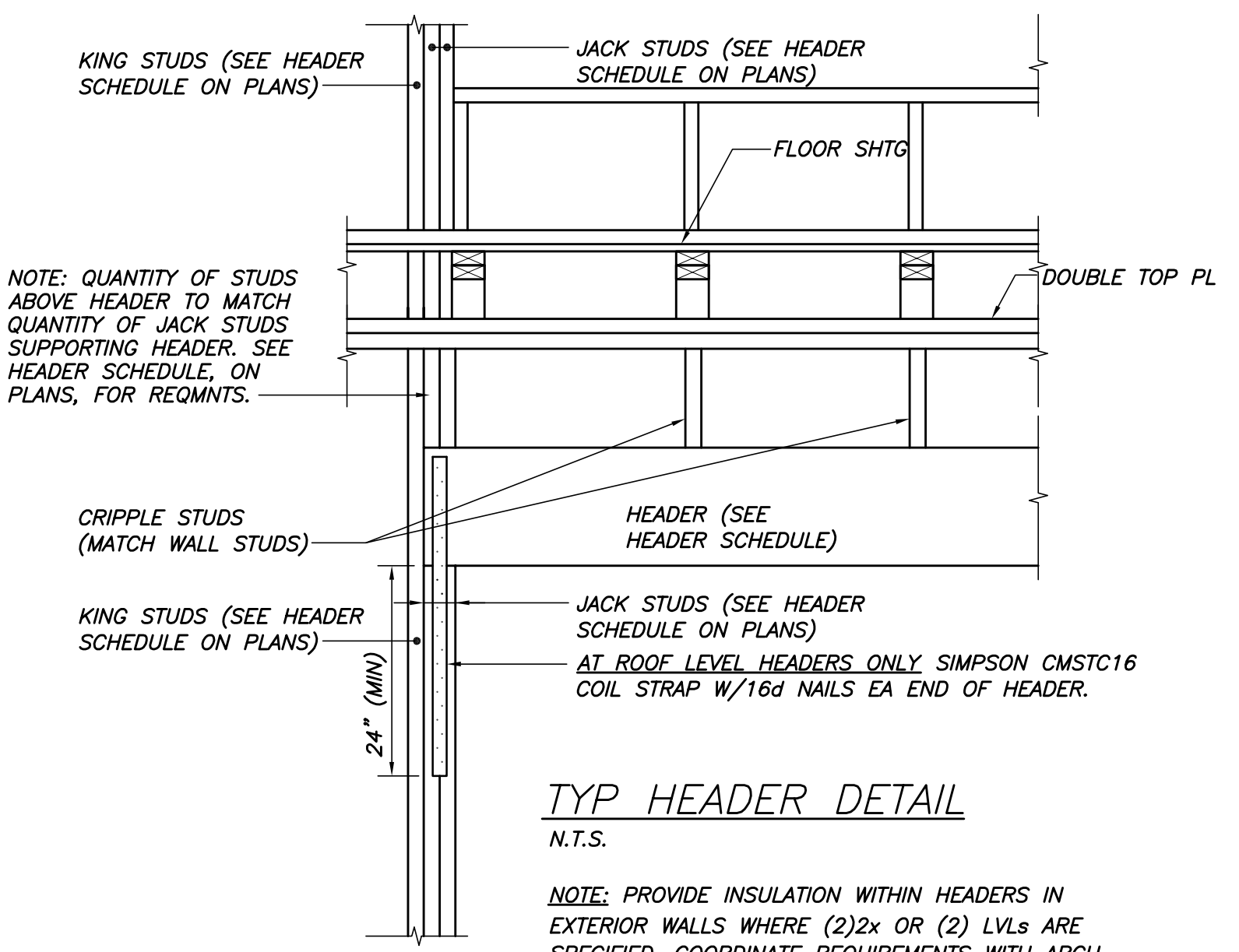


TYP ATTACHMENT OF NON-LOAD BEARING WALLS N.T.S.

NOTE: WHERE WALLS ARE PARALLEL TO TRUSSES, ADD BLOCKING WITH STC CLIPS AT 2'-0" O.C. PROVIDE 1/2" GAP.

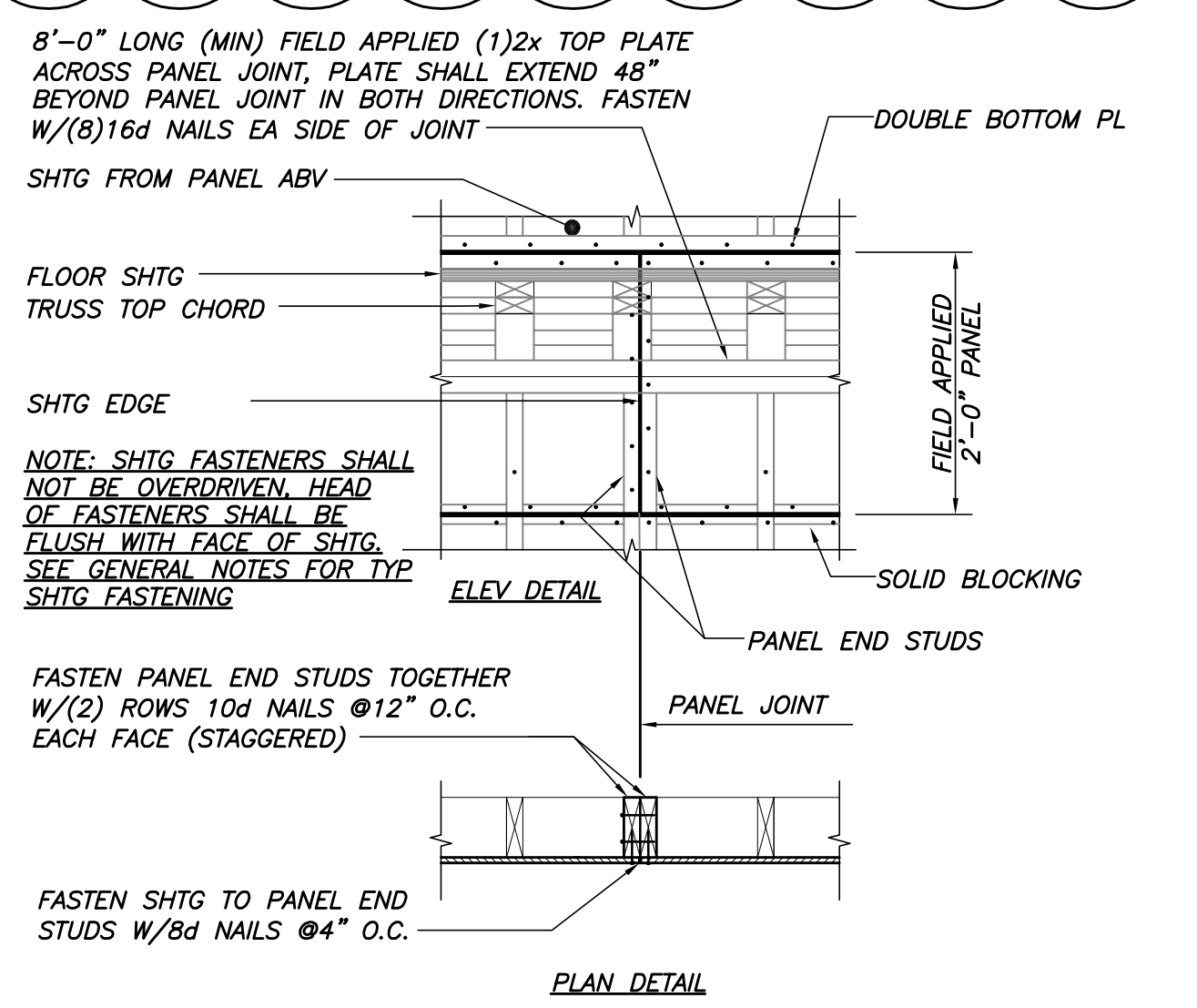


TYP WOOD NAILER TO HSS COL DETAIL N.T.S.



TYP HEADER DETAIL N.T.S.

NOTE: PROVIDE INSULATION WITHIN HEADERS IN EXTERIOR WALLS WHERE (2)2x OR (2) LVLs ARE SPECIFIED. COORDINATE REQUIREMENTS WITH ARCH.



TYP EXT WALL PANEL-PANEL CONN DETAIL U.N.O. N.T.S.

KAPLAN THOMPSON ARCHITECTS  
424 FORE ST., PORTLAND, ME 04101  
207-842-2888

PORTLAND HOUSING AUTHORITY  
14 BAXTER BLVD  
PORTLAND, ME 04101  
P: 207.773.4753

AVESTA HOUSING  
307 CUMBERLAND AVE  
PORTLAND, ME 04101  
P: 207.553.7777

CARROLL ASSOCIATES  
211 COMMERCIAL STREET, STE 200  
PORTLAND, MAINE 04101  
207.772.1952 V. F. 207.772.0712

BECKER CONSULTING ENGINEERS AND SCIENTISTS  
75 YORK STREET, PORTLAND, MAINE 04101  
207.879.1838 • beckerstructural.com

RANSOM CONSULTING ENGINEERS AND SCIENTISTS  
400 COMMERCIAL ST. SUITE 404  
PORTLAND, ME 04101  
P: 207.772.2891

APEX ENGINEERING  
190 US ROUTE ONE  
PMB 346 FALMOUTH, ME 04105  
P: 207.847.3445

STATE OF MAINE  
NATHAN R. MERRILL  
No. 42279  
Professional Engineer

PRICING DOCUMENTS

Project: BAYSIDE ANCHOR PHDC & Avesta  
81 East Oxford Street  
Portland, ME

Drawing: Framing Sections & Details  
Scale: Noted  
Date: 8/28/15  
Drawn by: APP  
Revised:

S300