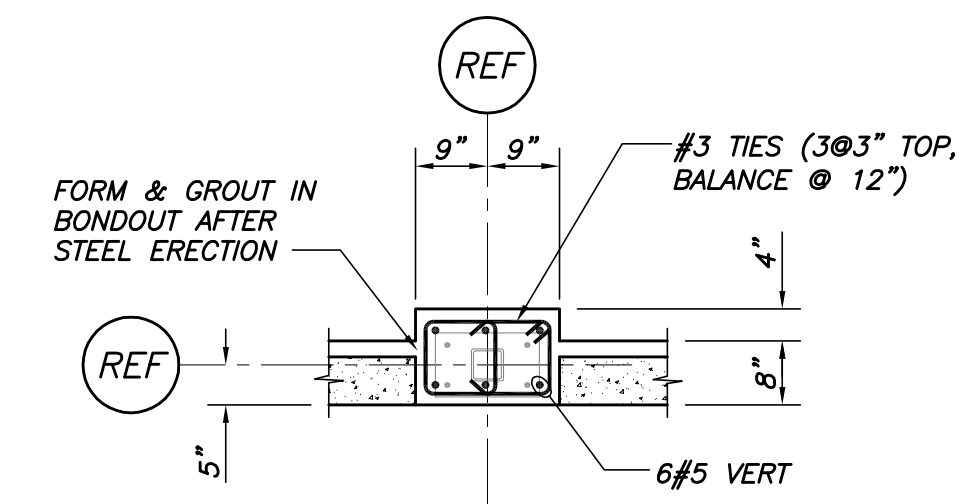
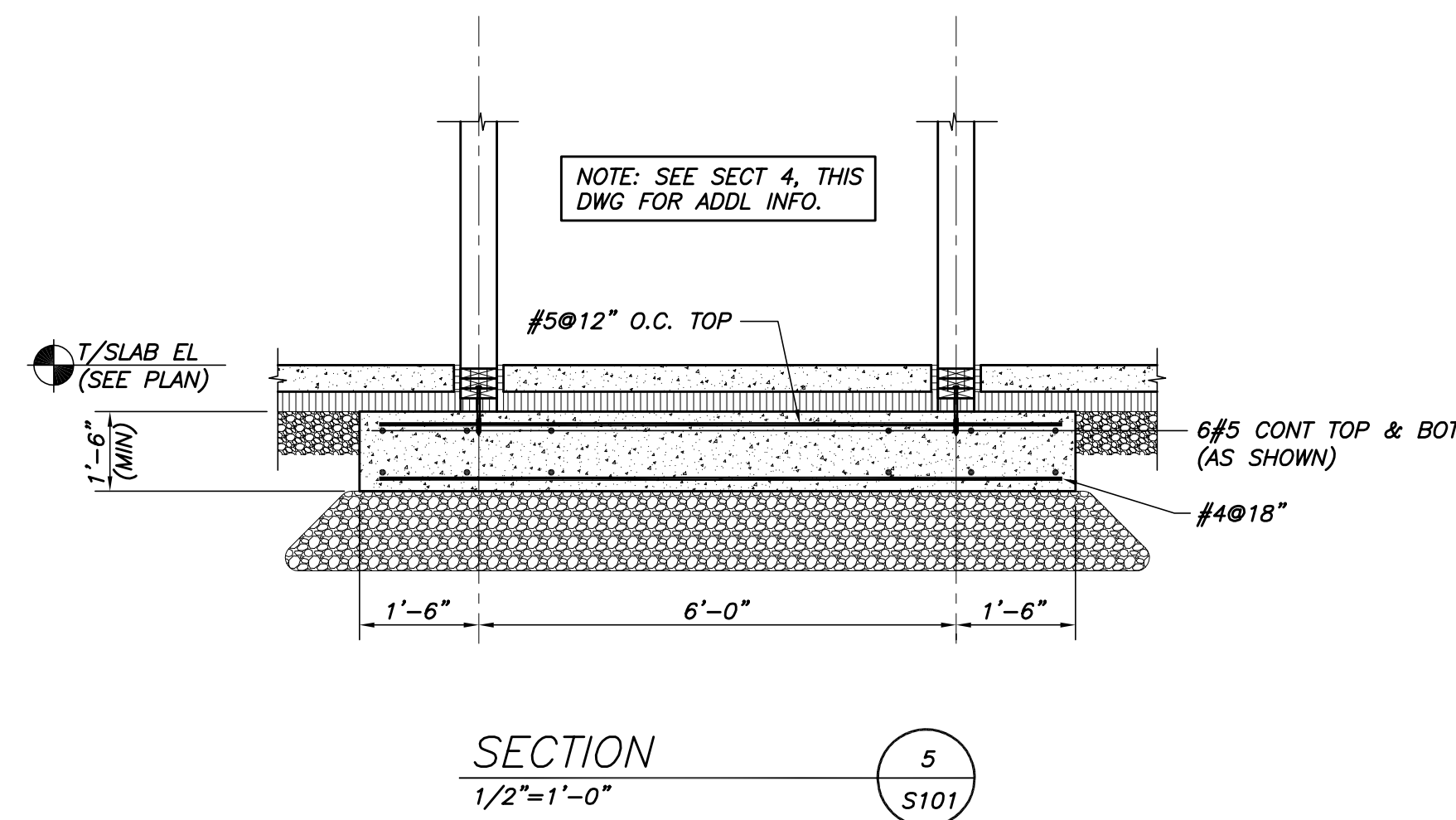


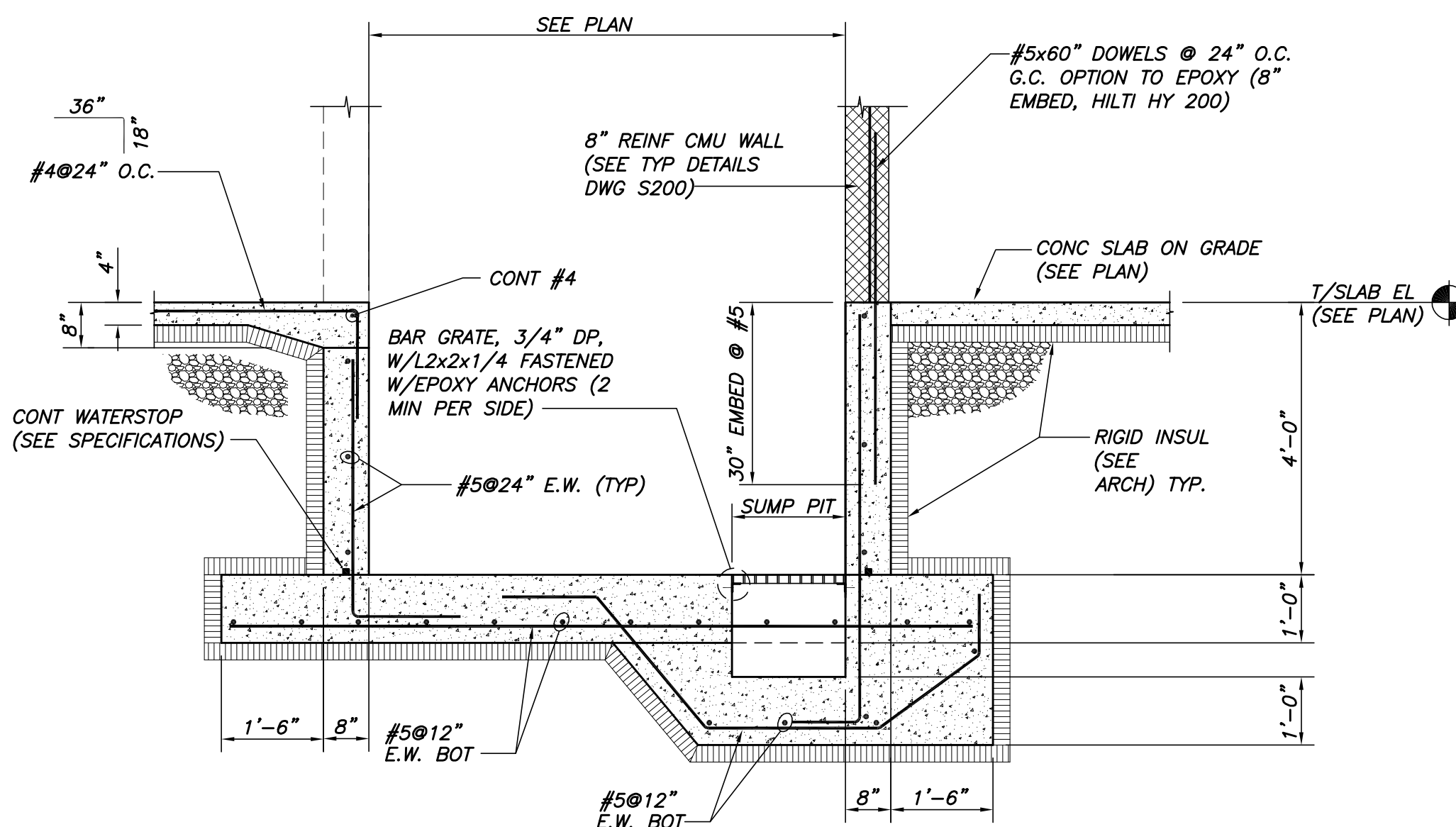
SECTION 4
1/2"=1'-0"



P1

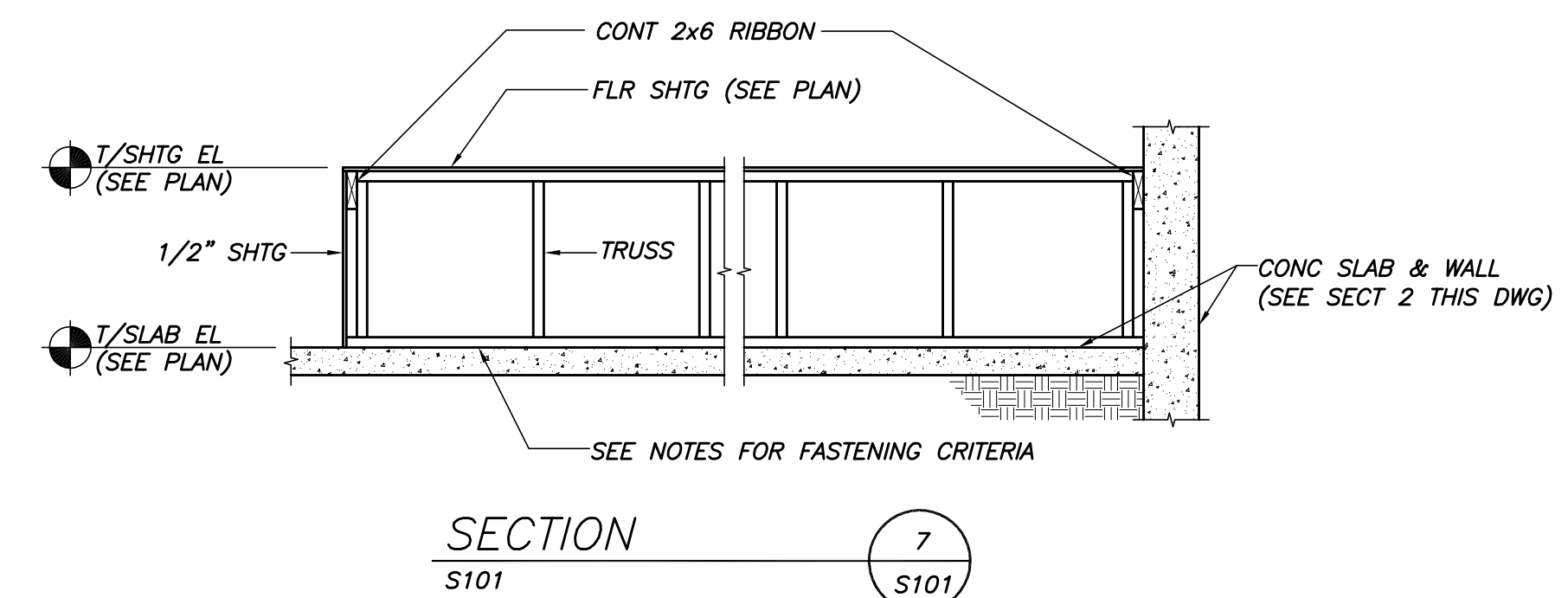


SECTION 5
1/2"=1'-0"



SECTION 6
S101

- NOTES:
- G.C. TO COORD SUMP PIT SIZE & LOCATION W/APPROVED ELEVATOR SHOP DWGS.
 - G.C. TO COORD HYDRAULICS BONDOUT W/APPROVED ELEVATOR SHOP DWGS.



SECTION 7
S101