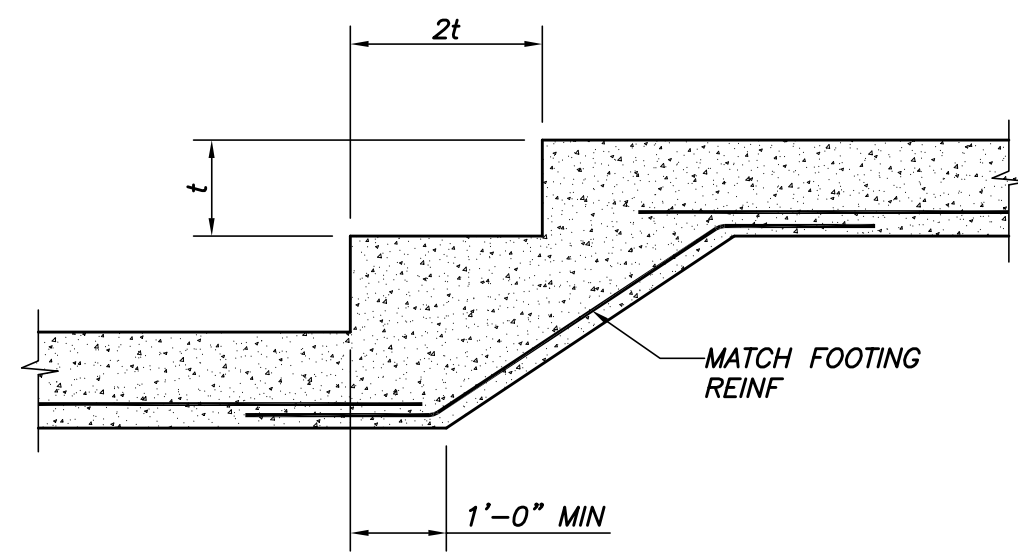
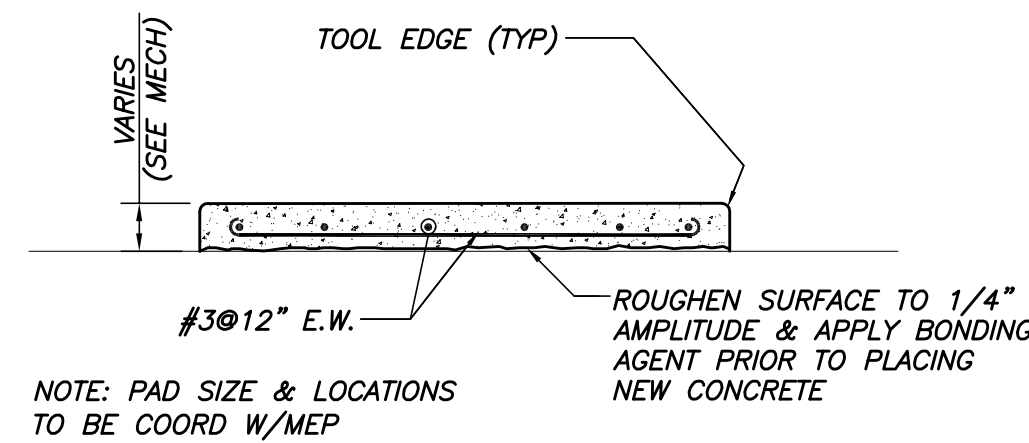


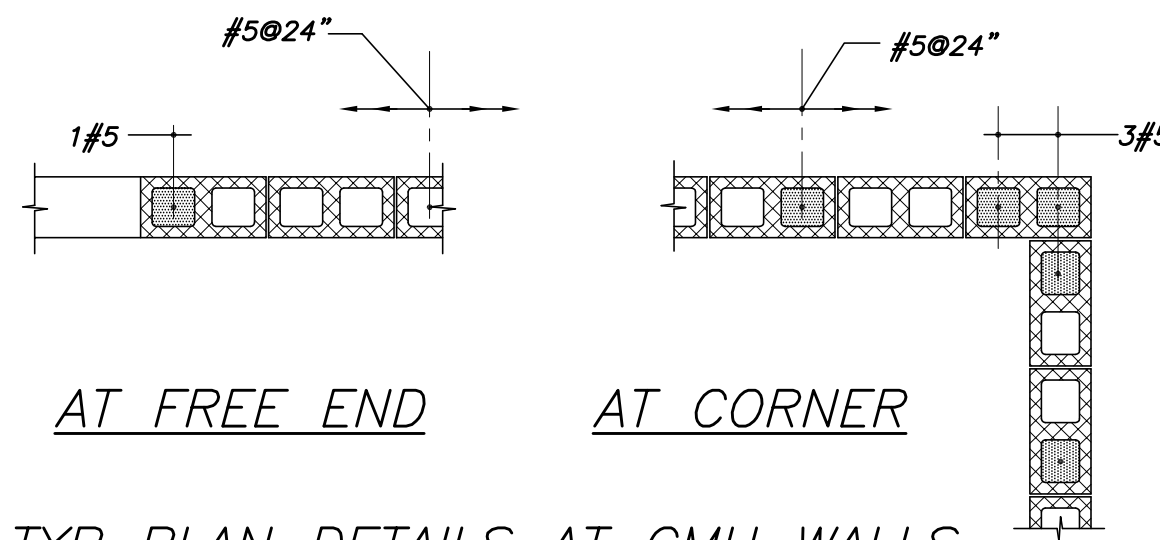
TYP SLAB DETAIL
N.T.S.



TYP STEP FOOTING DETAIL
N.T.S. t = FOOTING THICKNESS

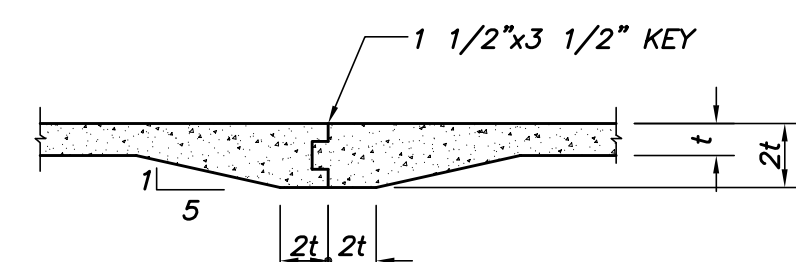


TYP EQUIPMENT HOUSEKEEPING PAD DETAIL
1/2" = 1'-0"

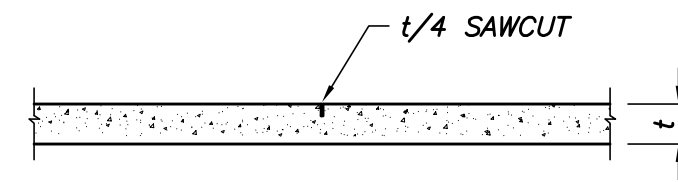


TYP PLAN DETAILS AT CMU WALLS
N.T.S.

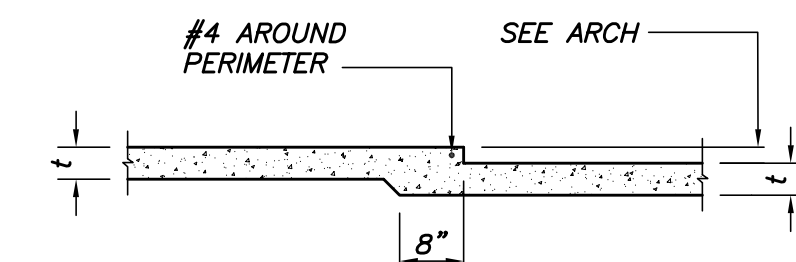
- NOTES:
1. PROVIDE TRUSS TIE HORIZ REINF @ 16" O.C. UNO.
2. ALL REINFORCED CELLS ARE TO BE GROUTED.
3. LAP BARS AT SPLICES MIN. 48 BAR DIAMETERS.



TYP SLAB ON GRADE CONST JOINT DETAIL
N.T.S. t = WALL THICKNESS

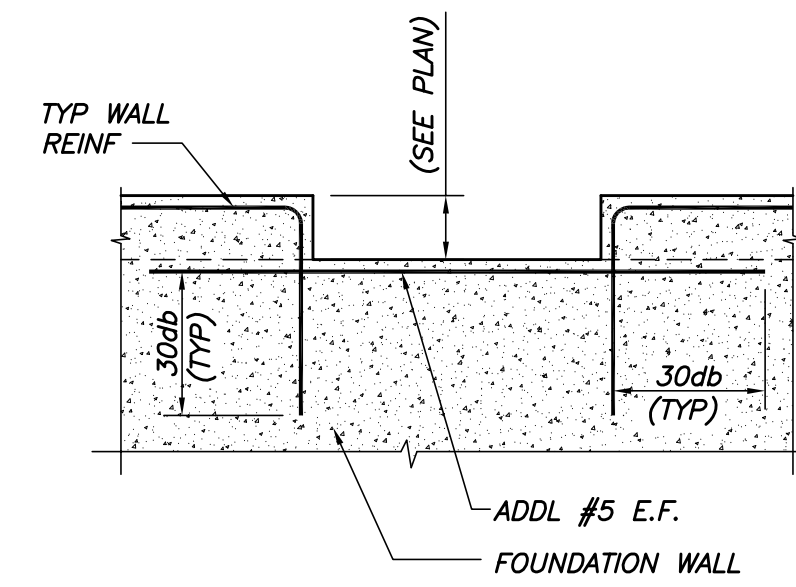


TYP SLAB ON GRADE CONTRACTION JOINT DETAIL
N.T.S.

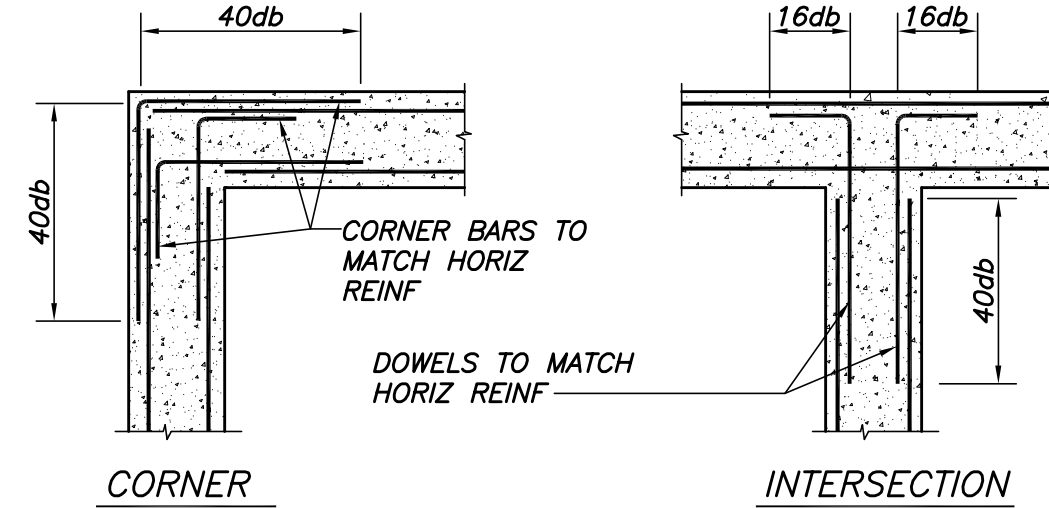


TYP SLAB DEPRESSION DETAIL
1/2" = 1'-0"

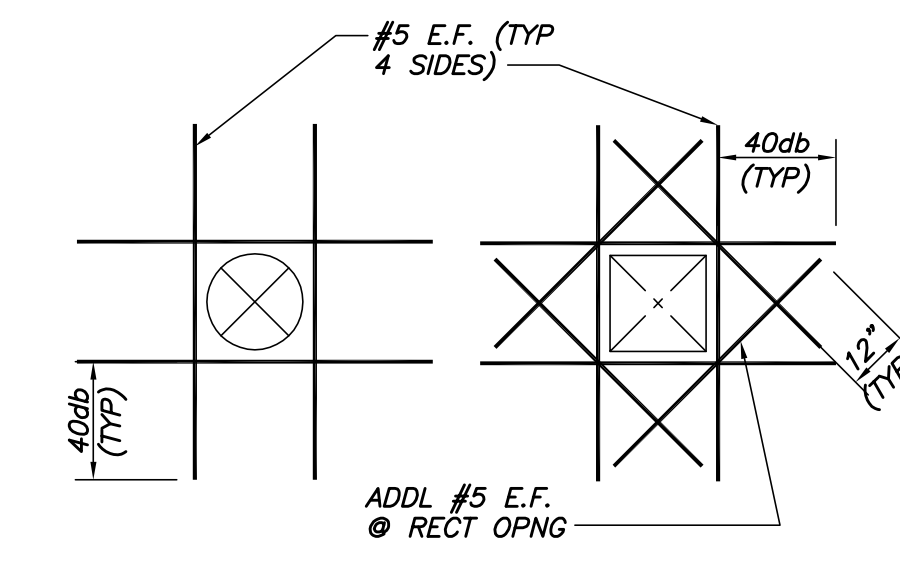
REBAR LAP SPLICE TABLE	
BAR SIZE	LAP LENGTH
	3,000 PSI
#3	30"
#4	36"
#5	48"
#6	64"
#7	81"



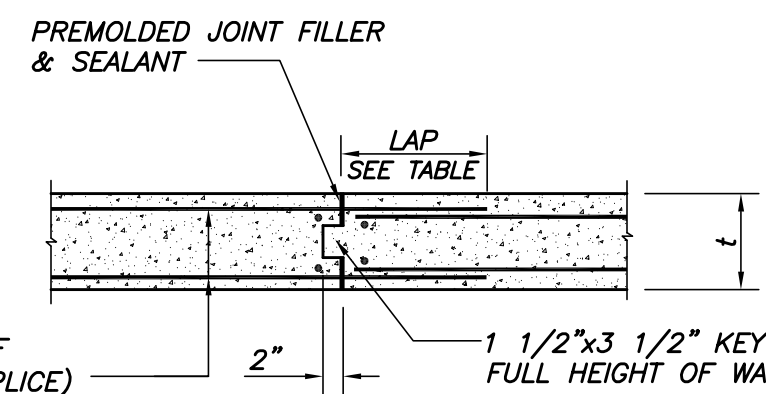
TYP WALL DEPRESSION DETAIL AT DOOR
N.T.S.



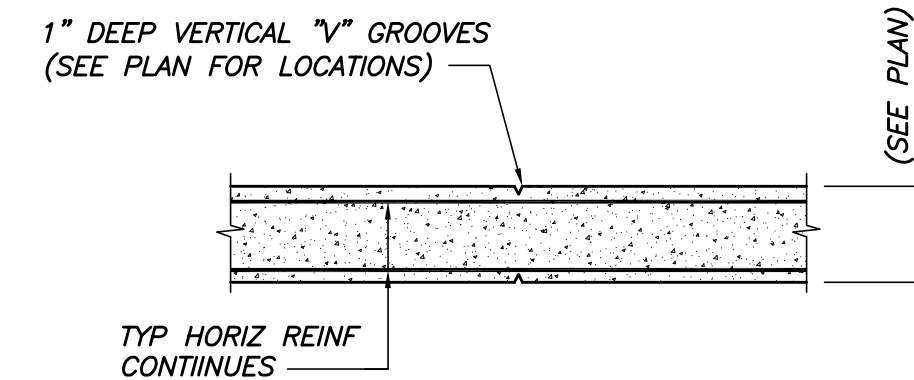
TYP WALL REINF DETAILS
N.T.S.



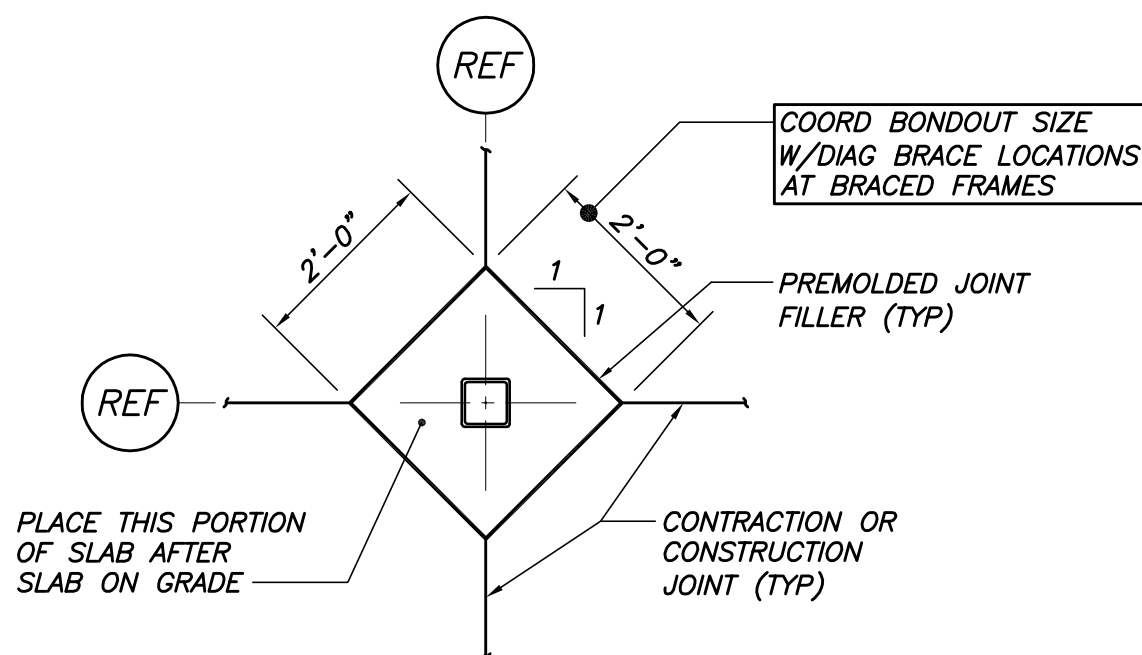
TYP OPENING IN WALL OR SLAB
N.T.S.



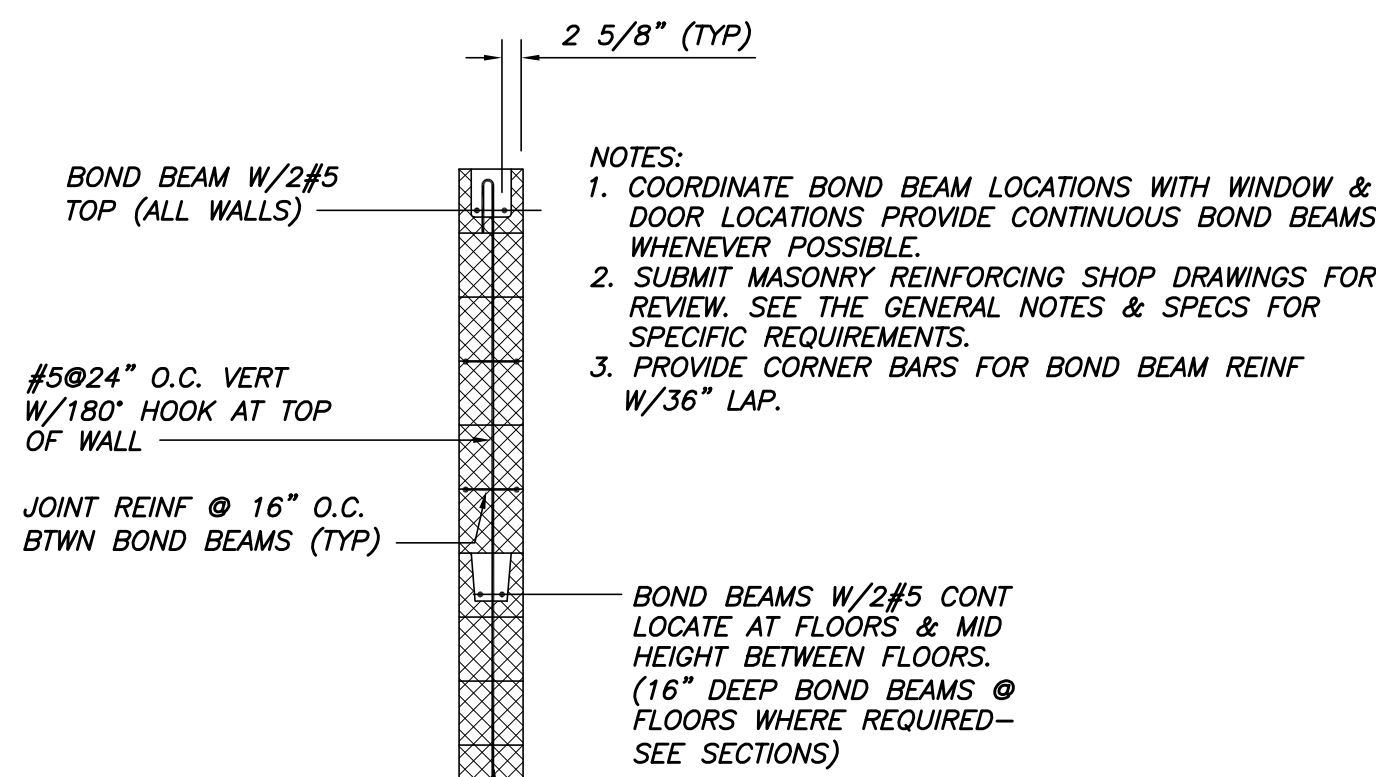
TYP CONSTRUCTION JOINT IN WALL
N.T.S. t = WALL THICKNESS



TYP CONTROL JOINT IN WALL
N.T.S.

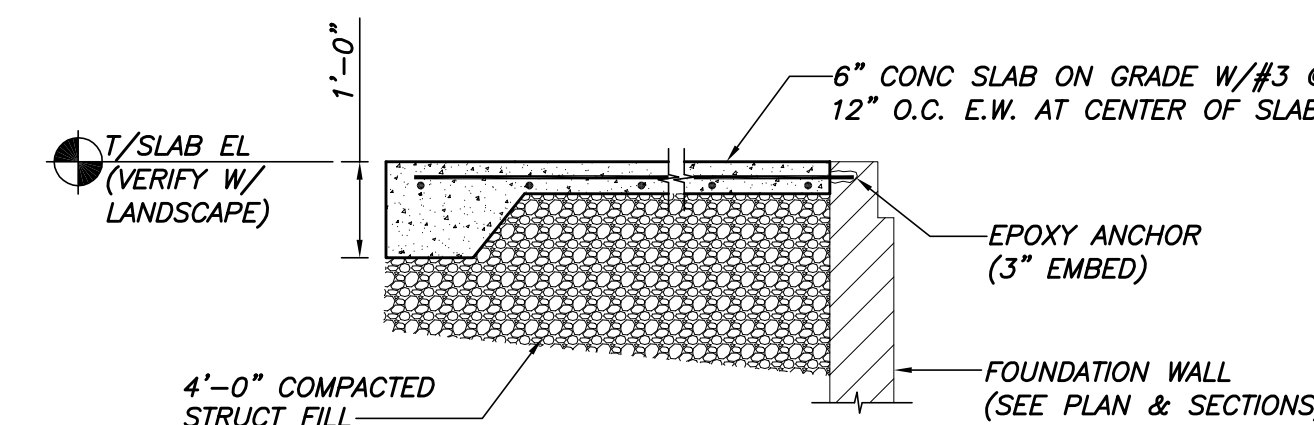


TYP INT COLUMN ISOLATION JOINT DETAIL
N.T.S.



CMU WALL SECTION
N.T.S.

CMU LINTEL SCHEDULE			
CLEAR SPAN	WIDTH	DEPTH	REINF
< 6'-0"	8"	8"	2#5 CONT



TYP ENTRY SLAB DETAIL
N.T.S.