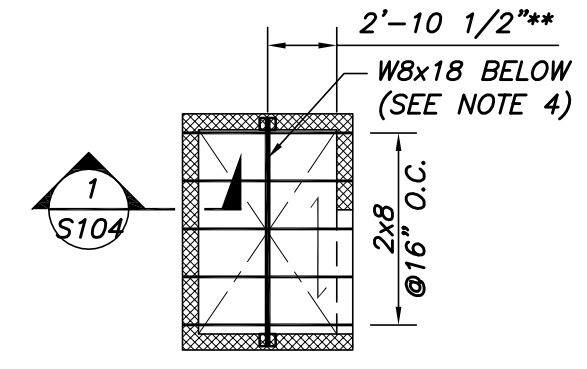


SECTION  
3/4"=1'-0"

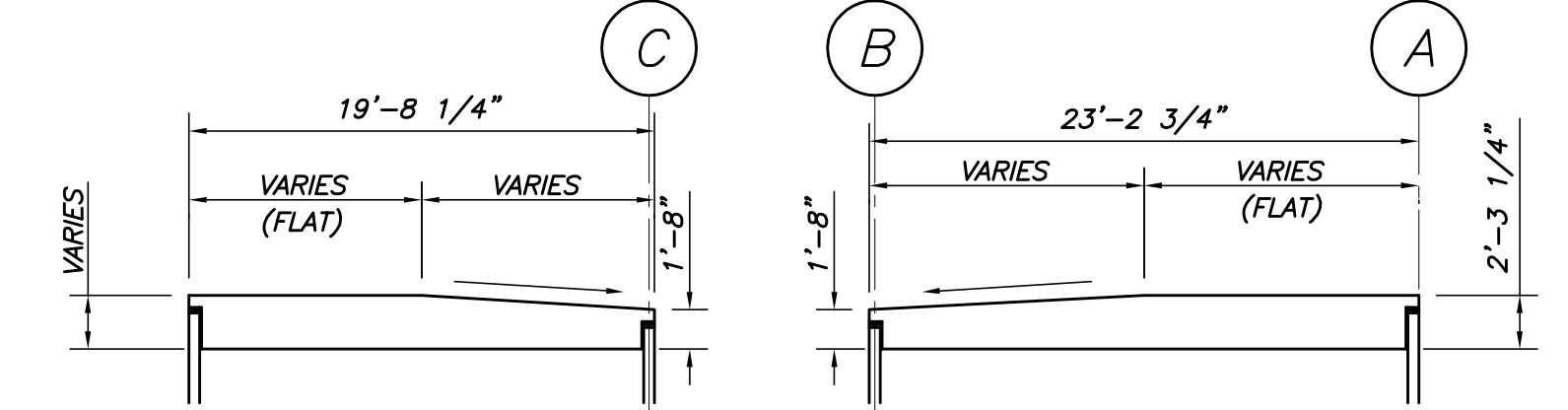
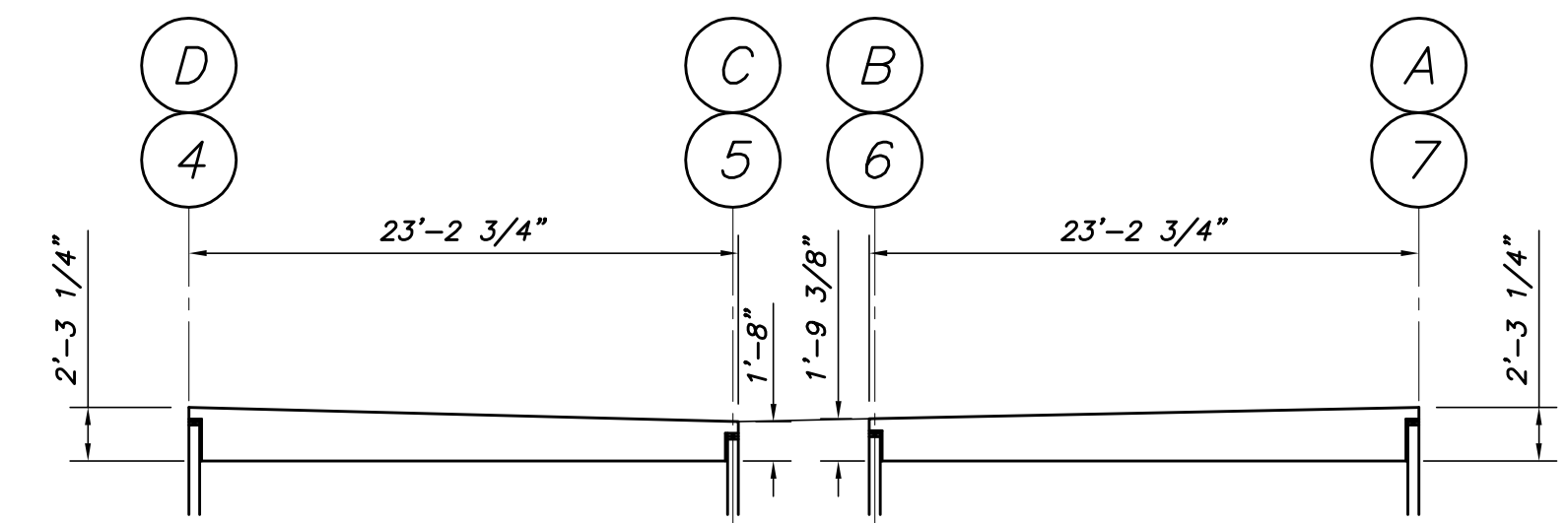
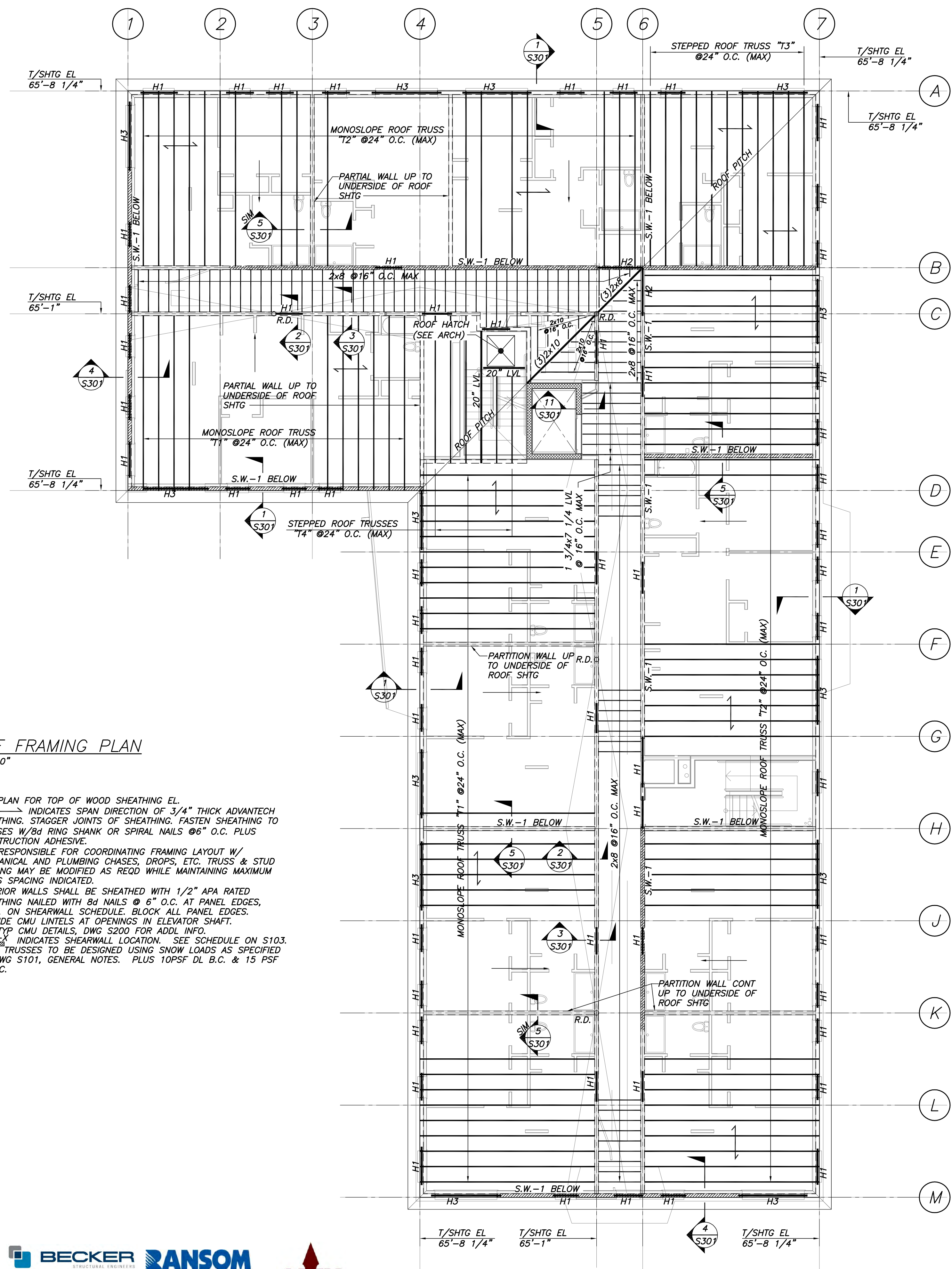


ELEVATOR SHAFT OVERRIDE FRAMING PLAN  
1/8"=1'-0"

- NOTES:
1. T/SHTG EL 70'-4 1/2"
  2. T/CMU EL 69'-7"
  3. ——— INDICATES SPAN DIRECTION OF 3/4" T&G SHEATHING.
  4. T/STL EL 68'-11" AT HOIST BEAM. PROVIDE BEARING PL 3/4"x6"x0'-8" W/(2)-1/2"x6" NELSON S3L HEADED STUDS EMBEDDED IN GROUTED CMU TYP EA END OF HOIST BEAM. TOP OF BRG PL EL 68'-3".
  5. \*\* INDICATES DIMENSION TO BE VERIFIED W/APPROVED ELEVATOR SHOP DWGS.

ROOF FRAMING PLAN  
1/8"=1'-0"

- NOTES:
1. SEE PLAN FOR TOP OF WOOD SHEATHING EL.
  2. ——— INDICATES SPAN DIRECTION OF 3/4" THICK ADVANTECH SHEATHING. STAGGER JOINTS OF SHEATHING. FASTEN SHEATHING TO TRUSSES W/8d RING SHANK OR SPIRAL NAILS @6" O.C. PLUS CONSTRUCTION ADHESIVE.
  3. C.C. RESPONSIBLE FOR COORDINATING FRAMING LAYOUT W/ MECHANICAL AND PLUMBING CHASES, DROPS, ETC. TRUSS & STUD SPACING MAY BE MODIFIED AS REQD WHILE MAINTAINING MAXIMUM TRUSS SPACING INDICATED.
  4. EXTERIOR WALLS SHALL BE SHEATHED WITH 1/2" APA RATED SHEATHING NAILED WITH 8d NAILS @ 6" O.C. AT PANEL EDGES. U.N.O. ON SHEARWALL SCHEDULE. BLOCK ALL PANEL EDGES. PROVIDE CMU LINTELS AT OPENINGS IN ELEVATOR SHAFT.
  5. SEE TYP CMU DETAILS, DWG S200 FOR ADDL INFO.
  6. S.W.-1 INDICATES SHEARWALL LOCATION. SEE SCHEDULE ON S103.
  7. ROOF TRUSSES TO BE DESIGNED USING SNOW LOADS AS SPECIFIED ON DWG S101, GENERAL NOTES. PLUS 10PSF DL B.C. & 15 PSF DL T.C.



14 BAXTER BLVD  
PORTLAND, ME 04101  
P: 207.773.4753

307 CUMBERLAND AVE  
PORTLAND, ME 04101  
P: 207.553.7777

217 COMMERCIAL STREET, STE 200  
PORTLAND, MAINE 04101  
207.772.1552 V. F. 207.772.0212

75 YORK ST.  
PORTLAND, ME 04101  
P: 207.879.1838

400 COMMERCIAL ST.  
SUITE 404  
PORTLAND, ME 04101  
P: 207.772.2891

190 US ROUTE ONE  
PMB 346 FALMOUTH, ME  
04105  
P: 207.847.3445

PRICING DOCUMENTS

Project:  
BAYSIDE ANCHOR  
PHDC & Avesta  
81 East Oxford Street  
Portland, ME

Drawing: Roof Framing Plan  
Scale: Noted  
Date: 8/28/15  
Drawn by: APP  
Revised:

