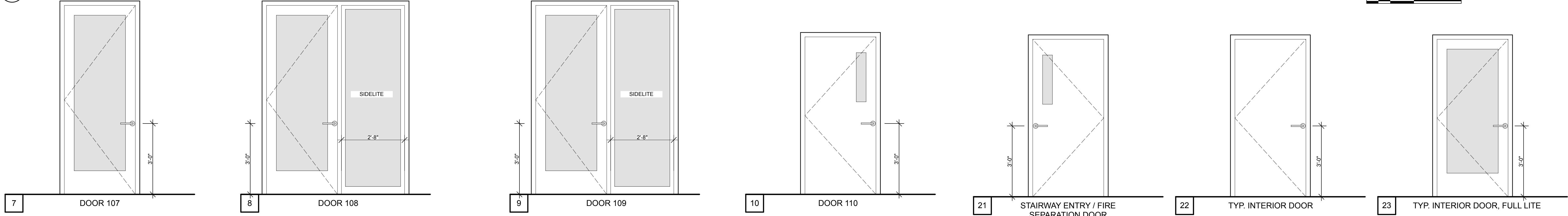
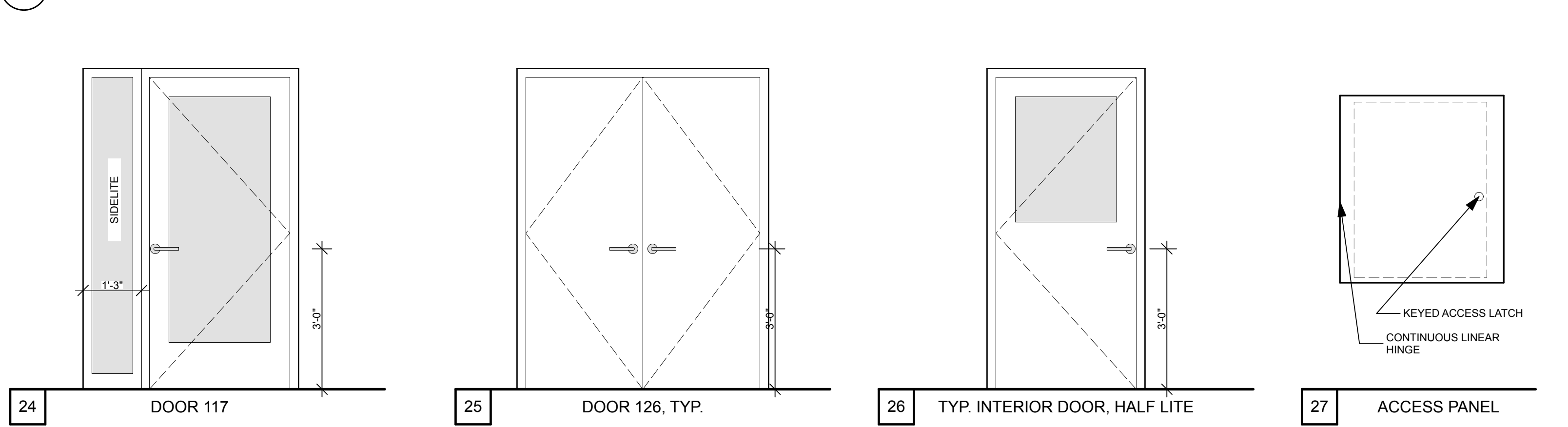


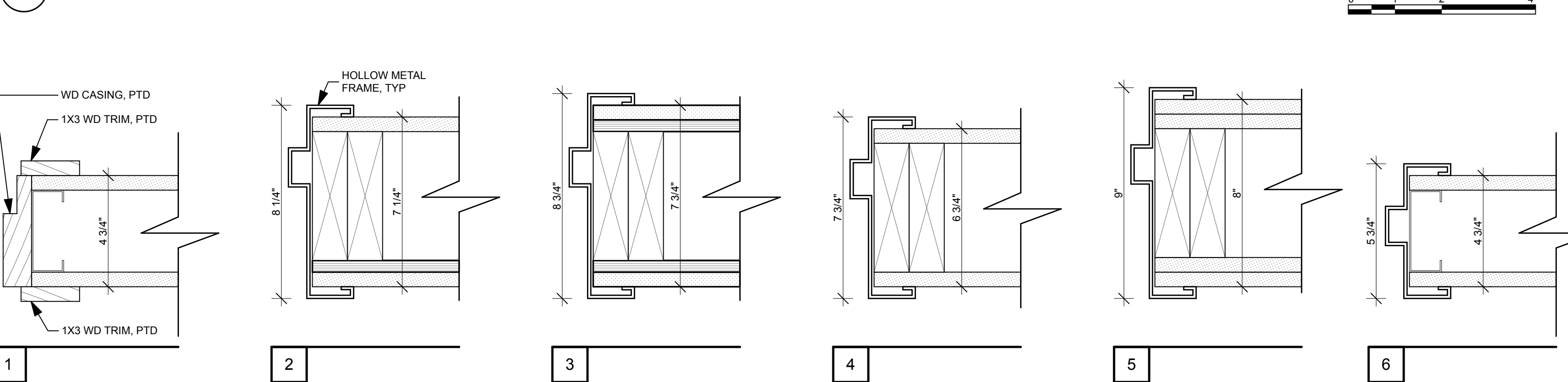
1 EXTERIOR DOOR ELEVATIONS
SCALE: 1/2" = 1'-0"



2 EXTERIOR DOOR ELEVATIONS
SCALE: 1/2" = 1'-0"



4 INTERIOR DOOR ELEVATIONS
SCALE: 1/2" = 1'-0"



5 INTERIOR DOOR FRAME DETAILS
SCALE: 3" = 1'-0"

MARK	SIZE			Quantity	MATL	GLZ	FRAME			FIRE RATING	HARDWARE		NOTES	FOB ACCESS		
	W	HT	THK				MATL	EL	DETAIL			SET NO			KEYSIDE RM NO	
									HEAD		JAMB					SILL
1	3'-0"	6'-8"	0'-1 3/4"	45	MDF	NONE	WD	22	TYPE 1	TYPE 1	N/A	1/3 HOUR	HW 1	UNIT ENTRY	YES	
2	3'-0"	6'-8"	0'-1 3/8"	17	MDF	NONE	WD	22	TYPE 1	TYPE 1	N/A		HW 2	BEDROOM - BATH	NO	
3	2'-10"	6'-8"	0'-1 3/8"	73	MDF	NONE	WD	22	TYPE 1	TYPE 1	N/A		HW 2	BEDROOM - BATH	NO	
4	2'-10"	6'-8"	0'-1 3/8"	92	MDF	NONE	WD	22	TYPE 1	TYPE 1	N/A		HW 3	CLOSET	NO	
5	2'-6"	6'-8"	0'-1 3/8"	5	MDF	NONE	WD	22	TYPE 1	TYPE 1	N/A		HW 3	CLOSET	NO	
101	3'-0"	8'-0"	0'-1 3/4"	1	ALUM	TYPE C	ALUM	1	1-A502	4-A502	3-A502		HW 4	WIDE STILE	NO	
102	3'-0"	8'-0"	0'-1 3/4"	1	ALUM	TYPE C	ALUM	1	1-A502	4-A502	3-A502		HW 4	WIDE STILE	YES	
103	3'-0"	6'-8"	0'-1 3/4"	1	STEEL	NONE	STEEL	3	1-A503	2-A503	1-A503	3/4 HOUR	HW 9	KEY	NO	
104	3'-0"	7'-0"	0'-1 3/4"	1	ALUM	TYPE C	ALUM	4	1-A502	SIM 5-A502	3-A502		HW 8	WIDE STILE	YES	
105	3'-0"	6'-8"	0'-1 3/4"	1	STEEL	TYPE C	STEEL	5	SIM 1-A503	2-A503	SIM 3-A503		HW 10	NO	NO	
106	3'-0"	8'-0"	0'-1 3/4"	1	ALUM	TYPE C	ALUM	6	1-A502	3-A503	SIM 3-A502		HW 6	WIDE STILE	YES	
107	3'-0"	8'-0"	0'-1 3/4"	1	ALUM	TYPE C	ALUM	7	1-A502	3-A503	SIM 3-A502		HW 6	WIDE STILE	YES	
108	3'-0"	8'-0"	0'-1 3/4"	1	ALUM	TYPE C	ALUM	9	1-A502	4-A502	2-A502		HW 4	WIDE STILE	NO	
109	3'-0"	6'-8"	0'-1 3/4"	1	ALUM	TYPE C	ALUM	1	1-A502	4-A502	3-A502		HW 4	WIDE STILE	NO	
110	3'-0"	6'-8"	0'-1 3/4"	1	STEEL	TYPE C	STEEL	10	SIM 1-A503	2-A503	SIM 1-A503		HW 10	NO	NO	
111	3'-0"	6'-8"	0'-1 3/4"	1	STEEL	NONE	STEEL	21	TYPE 5	TYPE 5	N/A	1 HOUR	HW 12	NO	NO	
112	3'-0"	6'-8"	0'-1 3/4"	1	STEEL	NONE	STEEL	22	TYPE 4	TYPE 4	N/A		HW 14	KEY	UNDERCUT	NO
113	3'-0"	6'-8"	0'-1 3/4"	1	STEEL	NONE	STEEL	22	TYPE 6	TYPE 6	N/A	3/4 HOUR	HW 14	NO	UNDERCUT	YES
114	3'-0"	6'-8"	0'-1 3/4"	1	STEEL	NONE	STEEL	22	TYPE 6	TYPE 6	N/A	3/4 HOUR	HW 13	KEY	NO	NO
115	3'-0"	6'-8"	0'-1 3/4"	1	STEEL	NONE	STEEL	22	TYPE 6	TYPE 6	N/A	3/4 HOUR	HW 13	KEY	NO	NO
116	3'-0"	6'-8"	0'-1 3/4"	1	STEEL	NONE	STEEL	22	TYPE 2	TYPE 2	N/A	3/4 HOUR	HW 14	NO	YES	YES
117	3'-0"	6'-8"	0'-1 3/4"	1	ALUM	TYPE B	ALUM	24	TYPE 6	TYPE 6	N/A	3/4 HOUR	HW 11	NO	WIDE STILE	YES
118	3'-0"	6'-8"	0'-1 3/4"	1	MDF	TYPE A	STEEL	26	TYPE 2	TYPE 2	N/A	3/4 HOUR	HW 16	NO	NO	NO
119	3'-0"	6'-8"	0'-1 3/4"	1	MDF	TYPE A	STEEL	26	TYPE 4	TYPE 4	N/A		HW 11	NO	YES	YES
120	3'-0"	6'-8"	0'-1 3/4"	1	MDF	TYPE A	STEEL	26	TYPE 4	TYPE 4	N/A		HW 11	NO	YES	YES
121	3'-0"	6'-8"	0'-1 3/4"	1	MDF	TYPE A	STEEL	26	TYPE 7	TYPE 7	N/A		HW 18	NO	NO	NO
122	3'-0"	6'-8"	0'-1 3/4"	1	MDF	NONE	STEEL	22	TYPE 4	TYPE 4	N/A		HW 17	NO	NO	NO
123	3'-0"	6'-8"	0'-1 3/4"	1	MDF	NONE	STEEL	22	TYPE 4	TYPE 4	N/A		HW 17	NO	NO	NO
124	3'-0"	6'-8"	0'-1 3/4"	1	STEEL	NONE	STEEL	21	TYPE 2	TYPE 2	N/A	3/4 HOUR	HW 11	NO	100 SQ. IN. OR LESS	YES
125	3'-0"	6'-8"	0'-1 3/4"	1	STEEL	NONE	STEEL	21	TYPE 6	TYPE 6	N/A	3/4 HOUR	HW 11	NO	100 SQ. IN. OR LESS	YES
126	5'-0"	6'-8"	0'-1 3/4"	1	STEEL	NONE	STEEL	25	TYPE 4	TYPE 4	N/A		HW 23	KEY	UNDERCUT	NO
201	3'-0"	6'-8"	0'-1 3/4"	1	STEEL	NONE	STEEL	22	TYPE 6	TYPE 6	N/A		HW 15	KEY	UNDERCUT	NO
202	3'-0"	6'-8"	0'-1 3/4"	1	STEEL	NONE	STEEL	21	TYPE 5	TYPE 5	N/A	1-1/2 HOUR	HW 12	NO	UNDERCUT	NO
203	3'-0"	6'-8"	0'-1 3/4"	1	STEEL	NONE	STEEL	22	TYPE 6	TYPE 6	N/A		HW 14	KEY	UNDERCUT	NO
204	3'-0"	6'-8"	0'-1 3/4"	1	STEEL	NONE	STEEL	21	TYPE 5	TYPE 5	N/A	1-1/2 HOUR	HW 12	NO	NO	NO
205	2'-6"	6'-8"	0'-1 3/4"	1	STEEL	NONE	STEEL	22	TYPE 2	TYPE 2	N/A	1/3 HOUR	HW 14A	KEY	UNDERCUT	NO
206	3'-6"	4'-0"	0'-1"	1	PLYWD	NONE	STEEL	27	N/A	N/A	N/A			ACCESS DOOR	NO	NO
207	3'-6"	4'-0"	0'-1"	1	PLYWD	NONE	STEEL	27	N/A	N/A	N/A			ACCESS DOOR	NO	NO
301	3'-0"	6'-8"	0'-1 3/4"	1	STEEL	NONE	STEEL	22	TYPE 6	TYPE 6	N/A		HW 15	KEY	UNDERCUT	NO
302	3'-0"	6'-8"	0'-1 3/4"	1	STEEL	NONE	STEEL	21	TYPE 5	TYPE 5	N/A	1-1/2 HOUR	HW 12	NO	UNDERCUT	NO
303	3'-0"	6'-8"	0'-1 3/4"	1	STEEL	NONE	STEEL	22	TYPE 6	TYPE 6	N/A		HW 14	KEY	UNDERCUT	NO
304	3'-0"	6'-8"	0'-1 3/4"	1	STEEL	NONE	STEEL	21	TYPE 5	TYPE 5	N/A	1-1/2 HOUR	HW 12	NO	NO	NO
305	2'-6"	6'-8"	0'-1 3/4"	1	STEEL	NONE	STEEL	22	TYPE 2	TYPE 2	N/A	1/3 HOUR	HW 14A	KEY	UNDERCUT	NO
306	3'-6"	4'-0"	0'-1"	1	PLYWD	NONE	STEEL	27	N/A	N/A	N/A			ACCESS DOOR	NO	NO
307	3'-0"	6'-8"	0'-1 3/4"	1	STEEL	NONE	STEEL	27	N/A	N/A	N/A			ACCESS DOOR	NO	NO
401	3'-0"	6'-8"	0'-1 3/4"	1	STEEL	NONE	STEEL	22	TYPE 6	TYPE 6	N/A		HW 15	KEY	UNDERCUT	NO
402	3'-0"	6'-8"	0'-1 3/4"	1	STEEL	NONE	STEEL	21	TYPE 5	TYPE 5	N/A	1-1/2 HOUR	HW 12	NO	NO	NO
403	3'-0"	6'-8"	0'-1 3/4"	1	STEEL	NONE	STEEL	22	TYPE 6	TYPE 6	N/A		HW 14	KEY	UNDERCUT	NO
404	3'-0"	6'-8"	0'-1 3/4"	1	STEEL	NONE	STEEL	21	TYPE 5	TYPE 5	N/A	1-1/2 HOUR	HW 12	NO	NO	NO
405	2'-6"	6'-8"	0'-1 3/4"	1	STEEL	NONE	STEEL	22	TYPE 2	TYPE 2	N/A	1/3 HOUR	HW 14A	KEY	UNDERCUT	NO
406	3'-6"	4'-0"	0'-1"	1	PLYWD	NONE	STEEL	27	N/A	N/A	N/A			ACCESS DOOR	NO	NO
407	3'-6"	4'-0"	0'-1"	1	PLYWD	NONE	STEEL	27	N/A	N/A	N/A	1/3 HOUR		ACCESS DOOR	NO	NO

GLAZING SCHEDULE		
A	CLEAR, SINGLE PANE	
B	TEMPERED, SINGLE PANE	
C	LOW-E, ARGON FILLED, CARDINAL 272-CLEAR, DOUBLE PANE, 0.25 C.O.G. U-VALUE MAX, 0.41 SHGC C.O.G. MIN	
D	LOW-E, ARGON FILLED, CARDINAL 272-CLEAR-180, TRIPLE PANE, 0.15 U-VALUE C.O.G. MAX, 0.36 SHGC C.O.G. MIN	

PRICING DOCUMENTS

PROJECT: BAYSIDE ANCHOR
PHDC & AVESTA HOUSING
81 EAST OXFORD STREET
PORTLAND, ME

DRAWING: DOOR SCHEDULES & DETAILS
SCALE: DRAWN BY: JJT
DATE: 12/9/15 REVISED:

