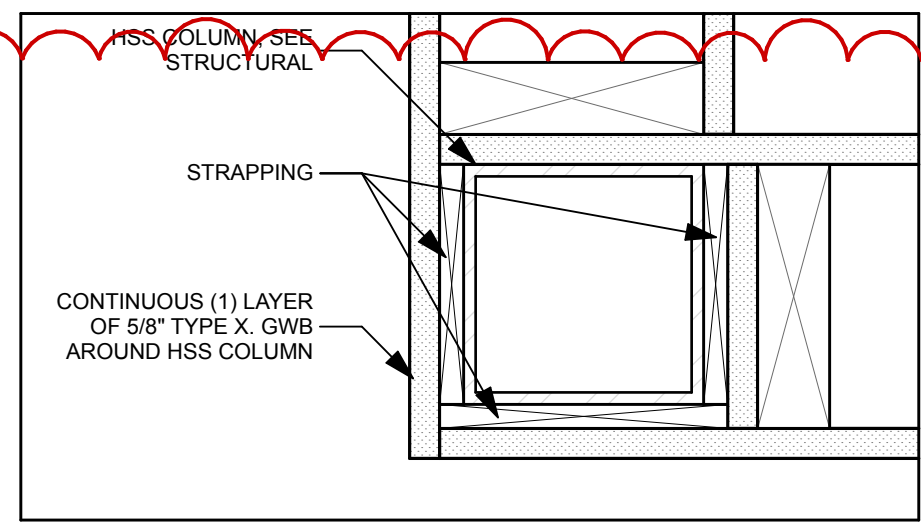
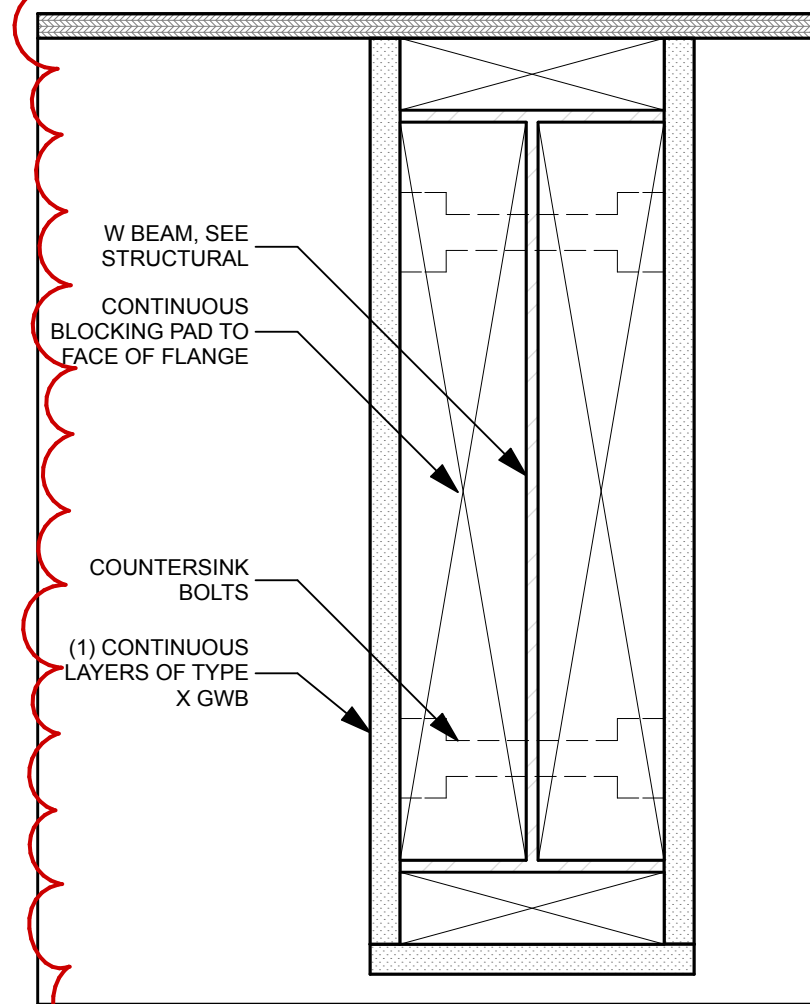


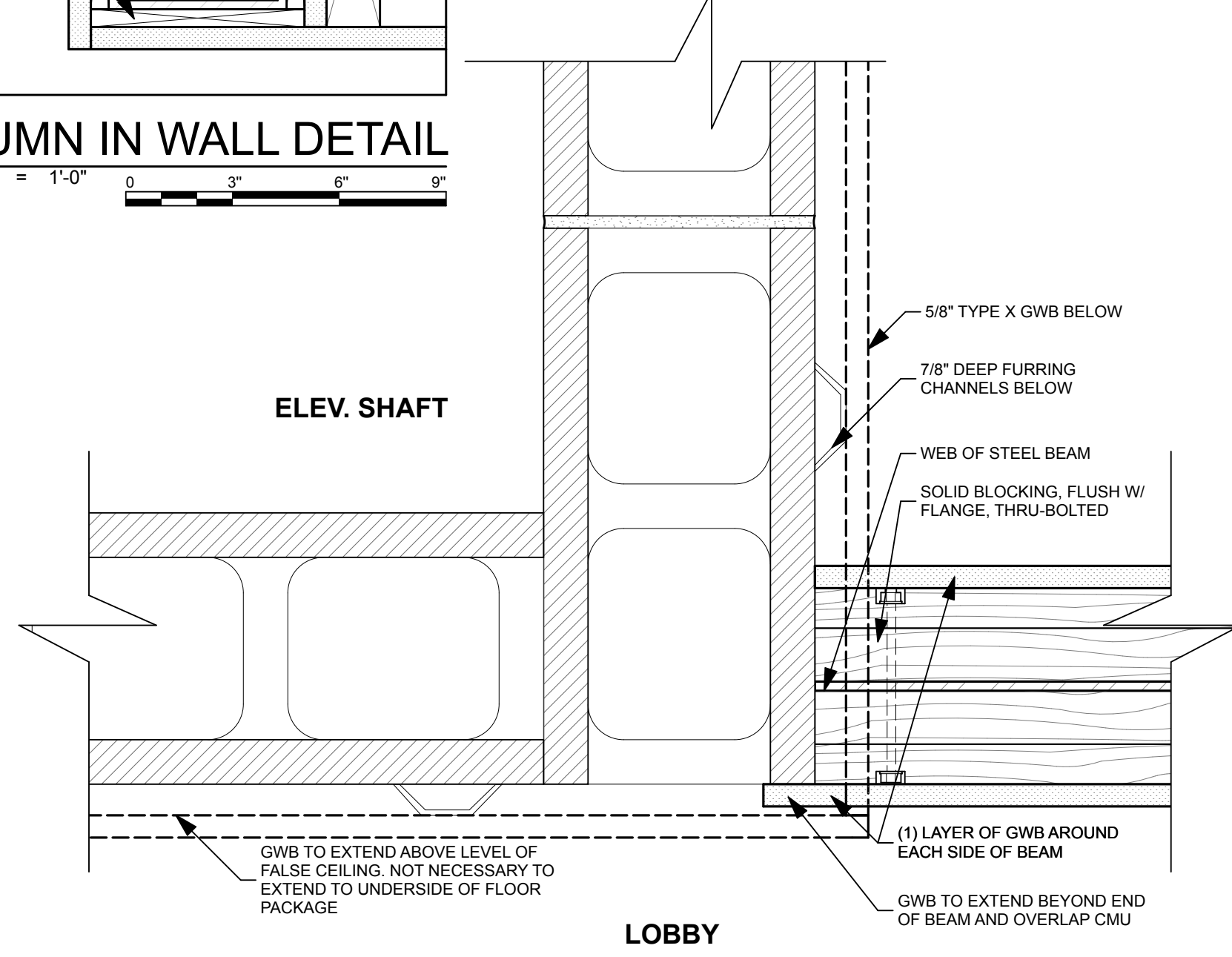
3 STEEL COLUMN WRAP DETAIL
SCALE: 3" = 1'-0"



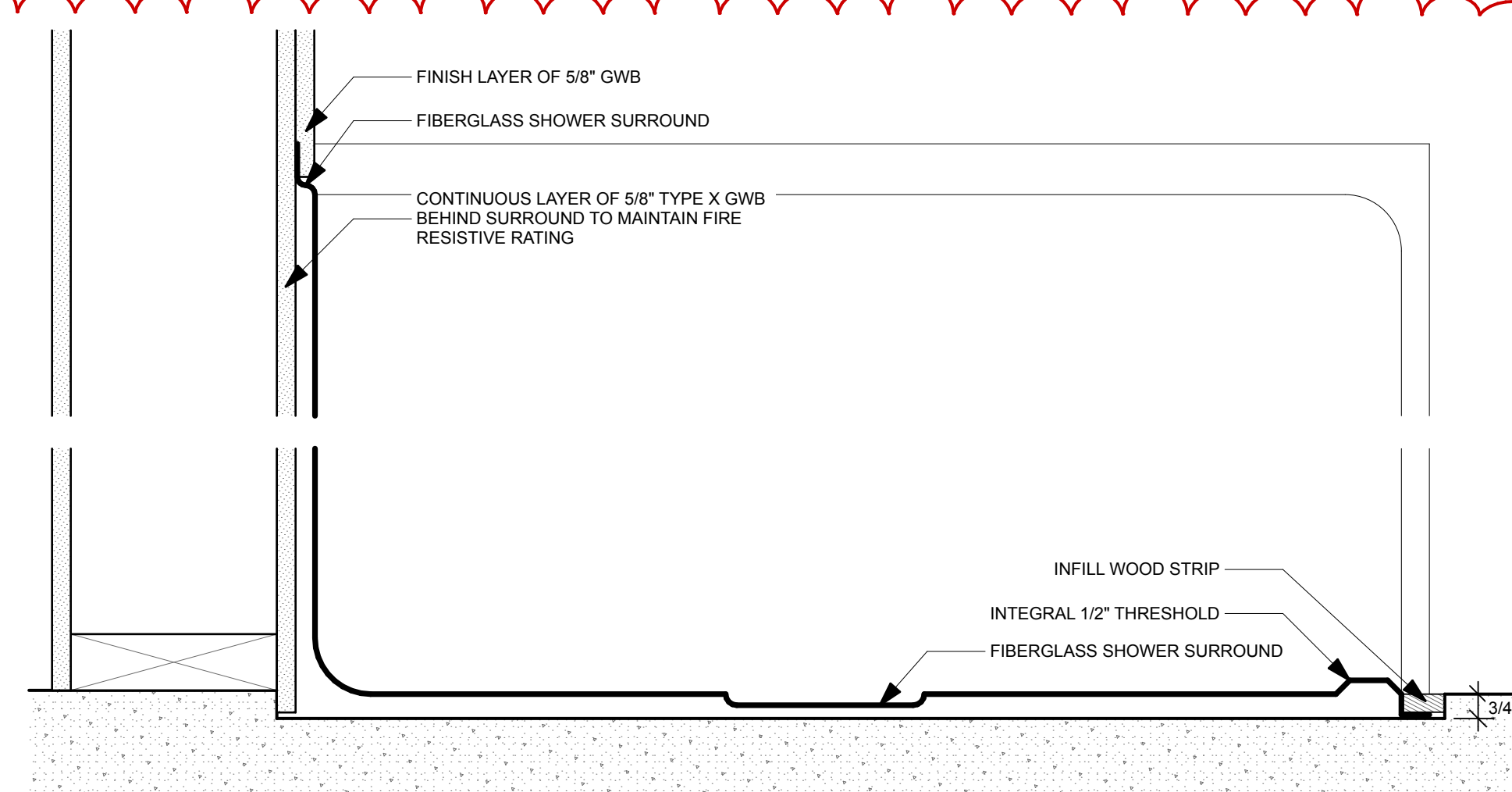
10 COLUMN IN WALL DETAIL
SCALE: 3" = 1'-0"



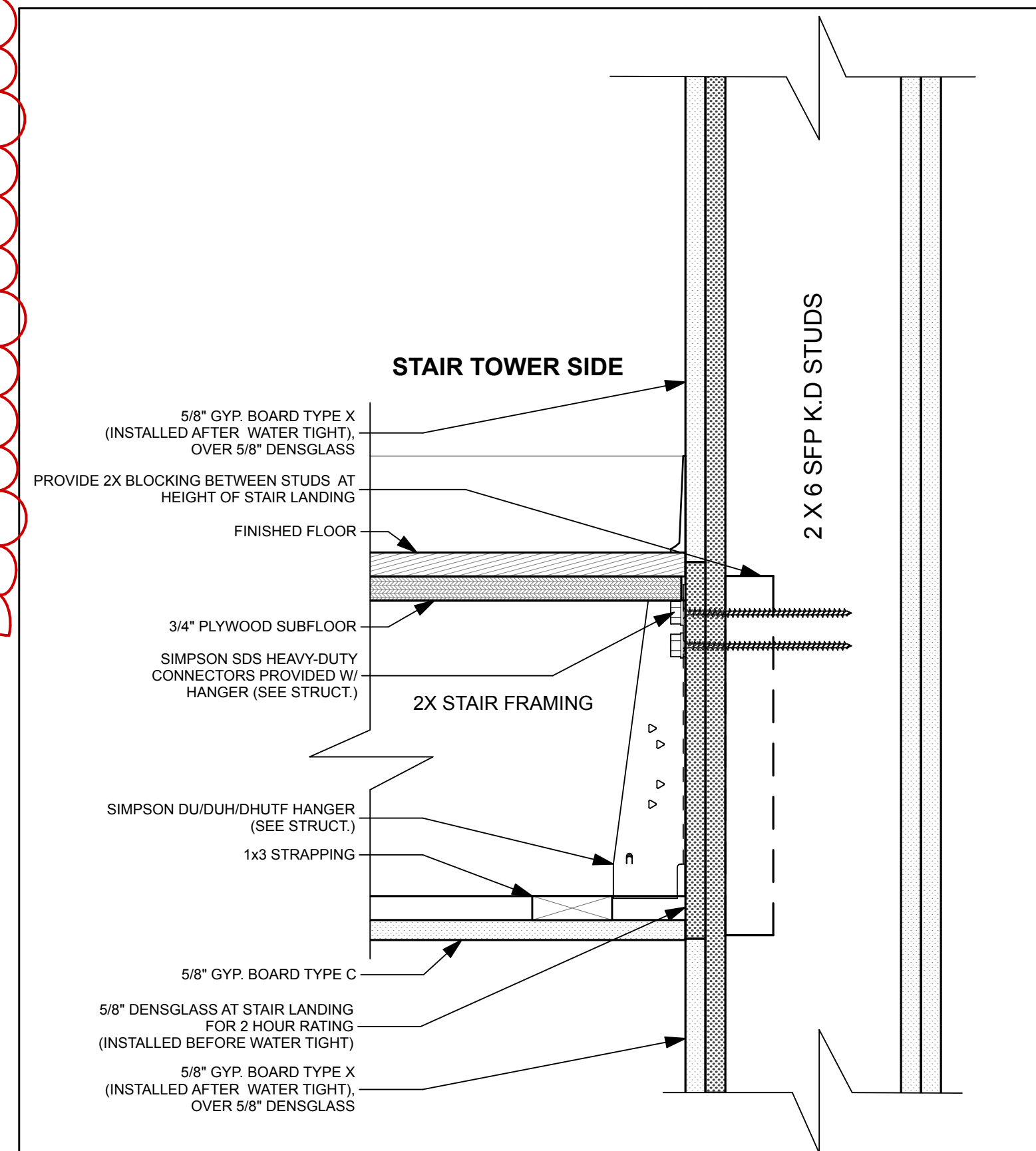
7 STEEL BEAM WRAP DETAIL
SCALE: 3" = 1'-0"



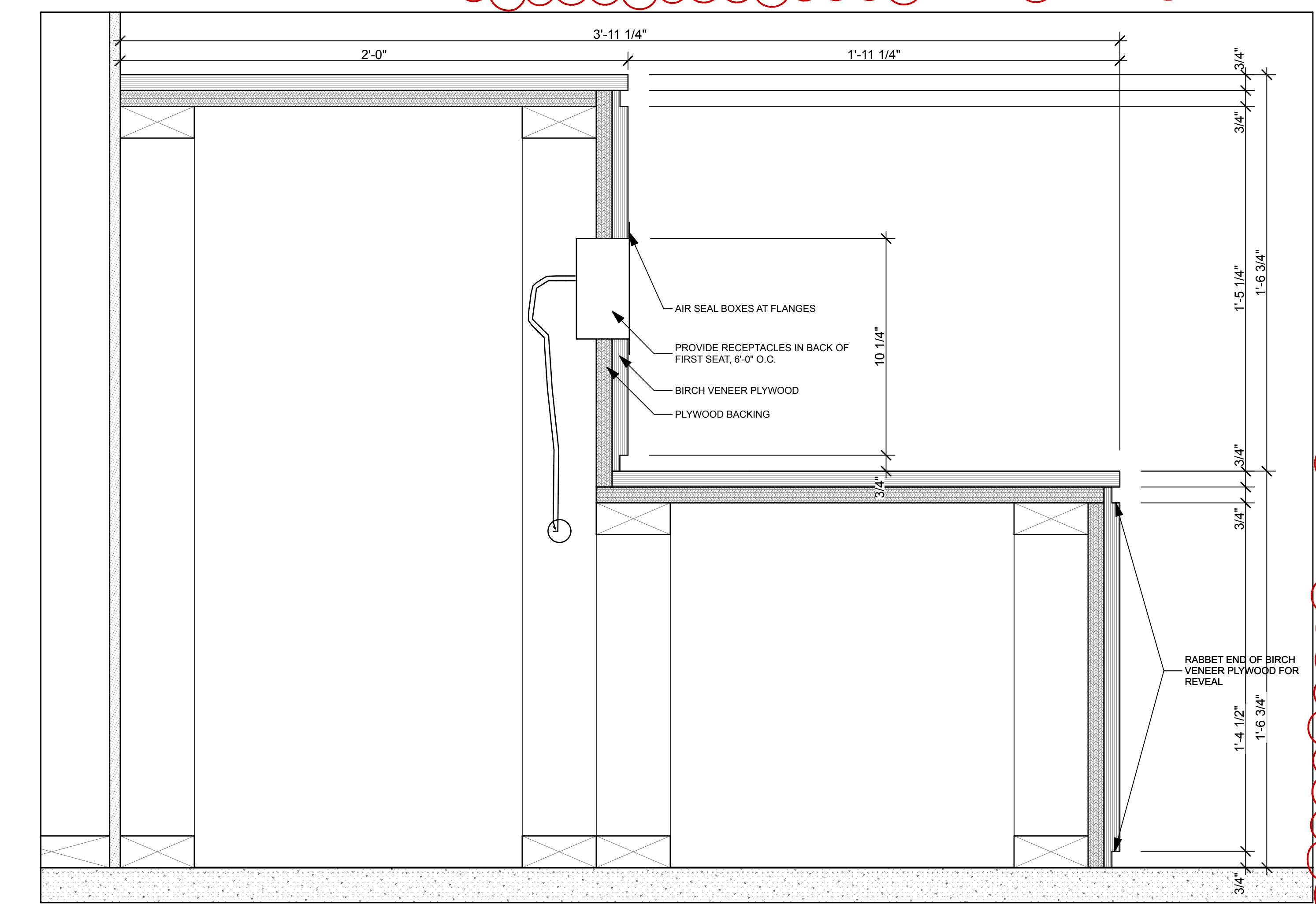
8 ENTRY WALL @ DOOR JAMB DETAIL
SCALE: 3" = 1'-0"



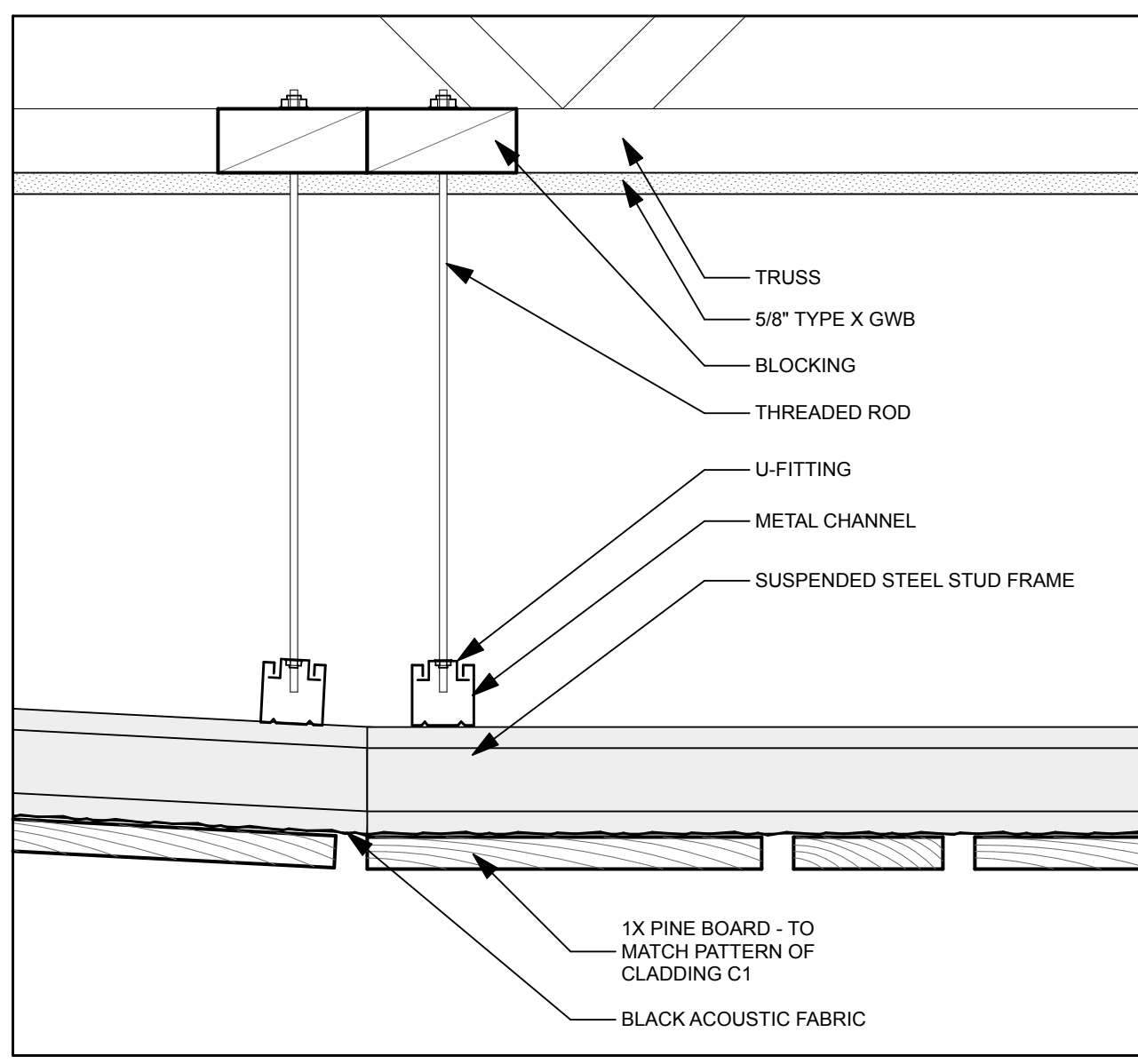
9 GROUND FLOOR ACCESSIBLE SHOWER
SCALE: 3" = 1'-0"



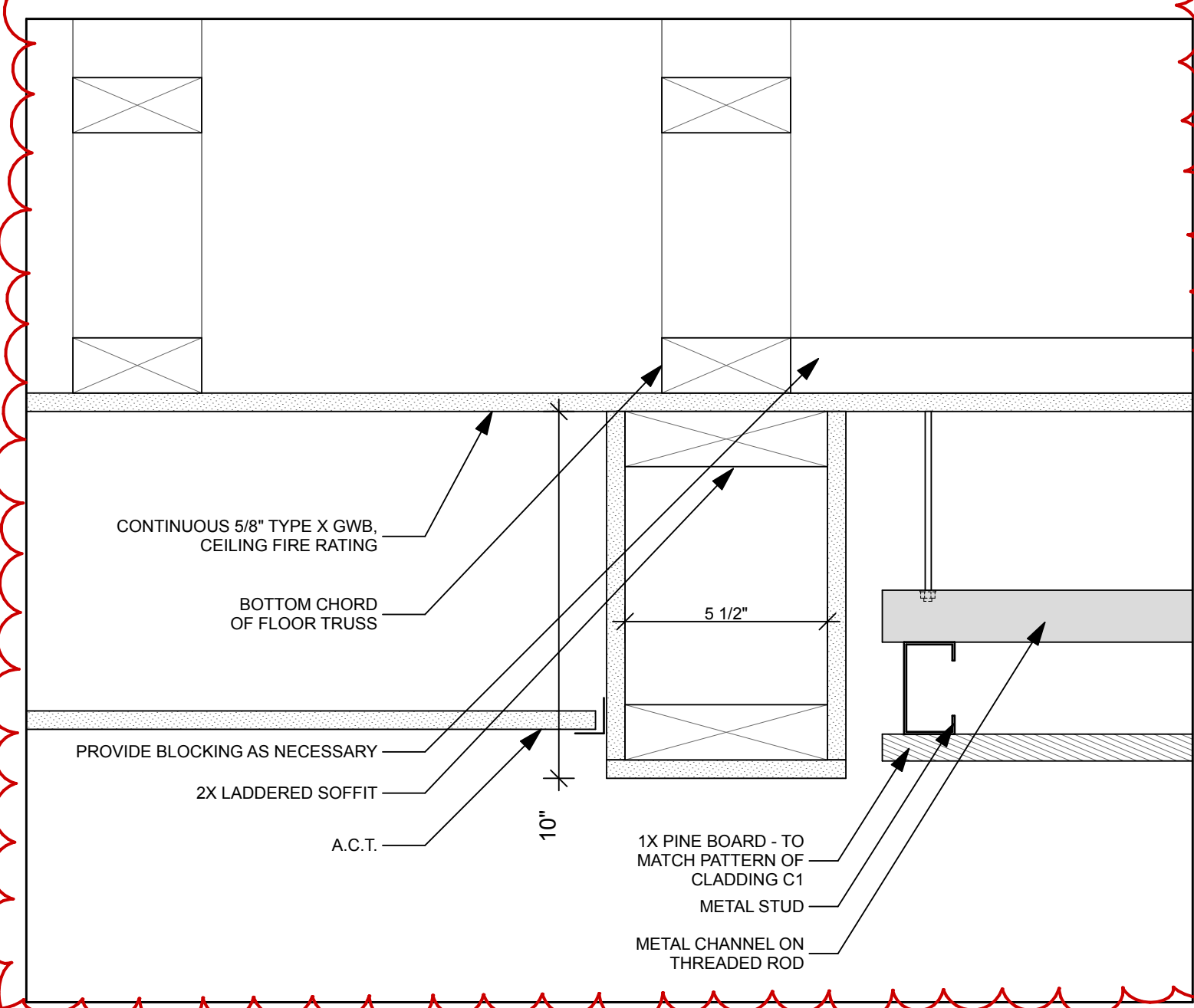
2 STAIR LANDING SHAFTWALL DETAIL-SECTION
SCALE: 3" = 1'-0"



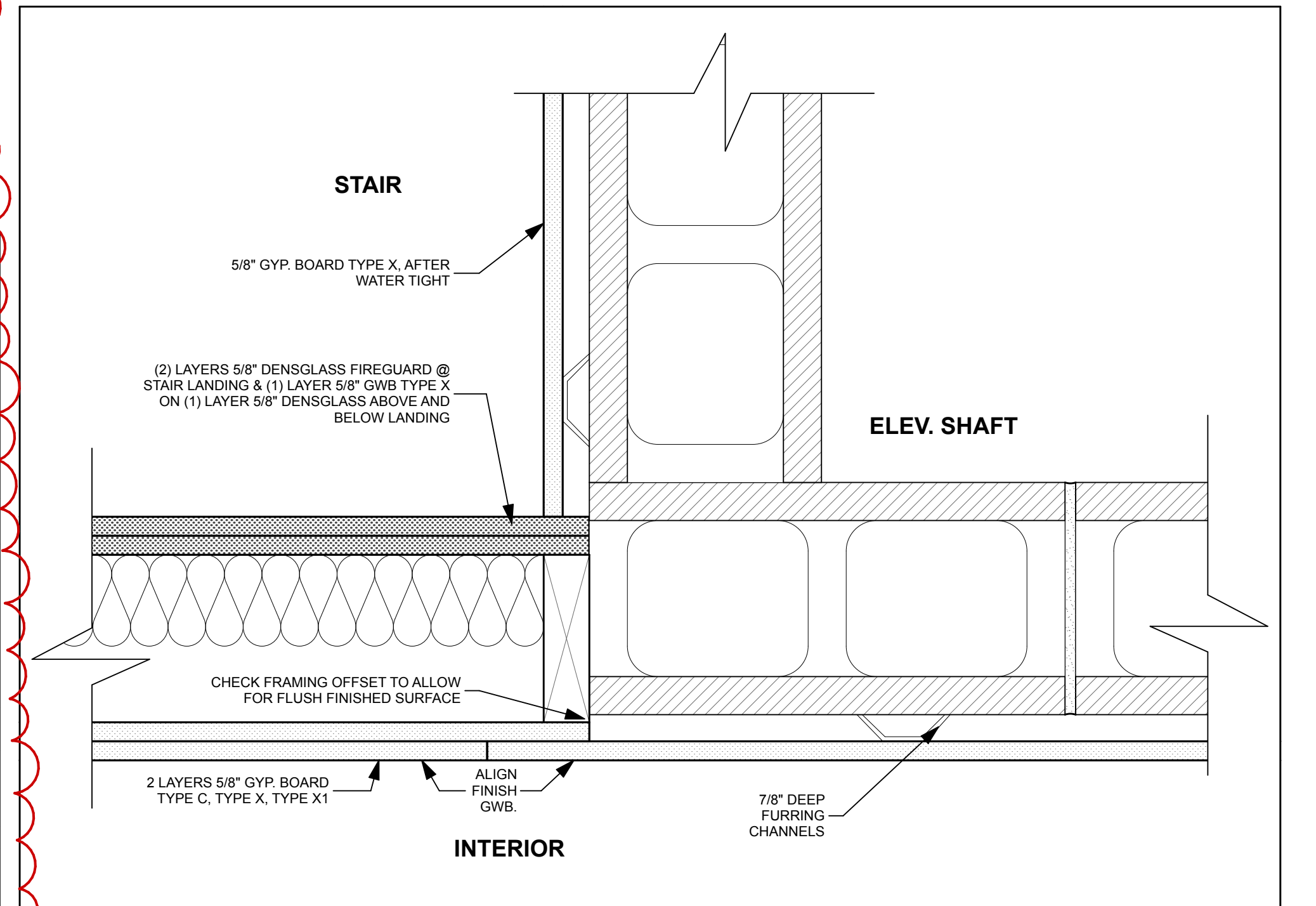
6 BUILT IN SEATING DETAIL
SCALE: 3" = 1'-0"



5 LOBBY CEILING DETAIL
SCALE: 3" = 1'-0"



4 LOBBY CEILING TRANSITION DETAIL
SCALE: 3" = 1'-0"



1 ELEV SHAFT TO STAIR PLAN DETAIL
SCALE: 3" = 1'-0"