

AT UPPER LEVELS

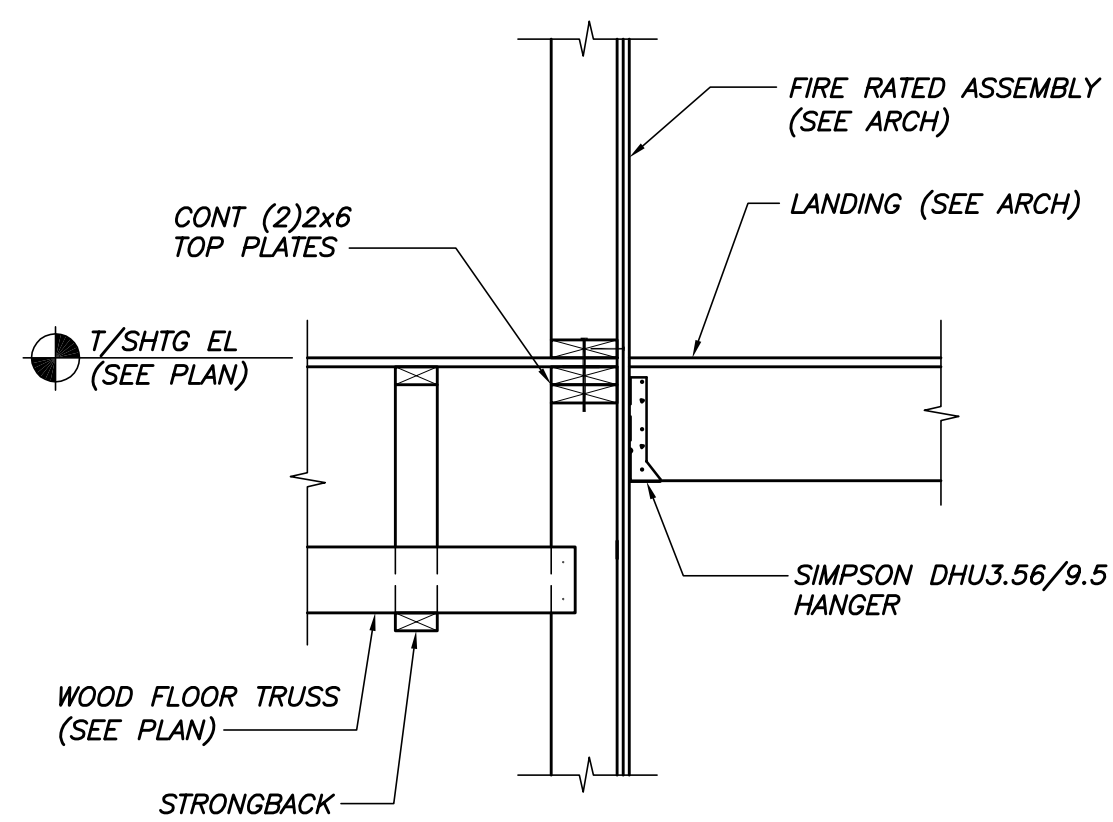
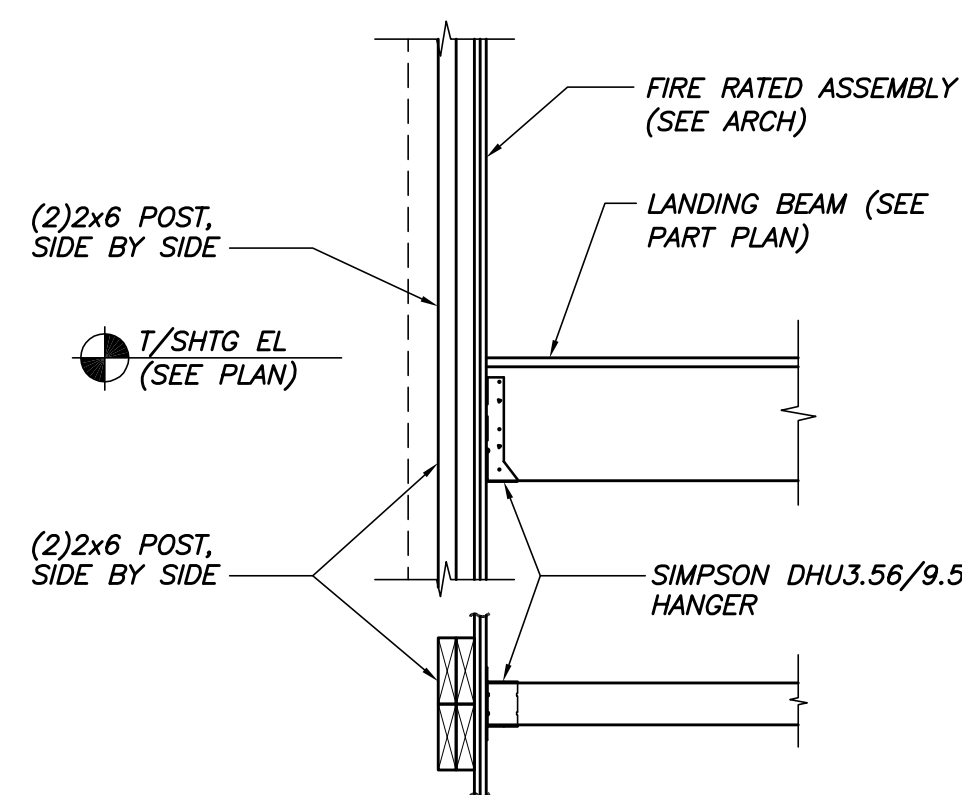
AT FOUNDATION

TYP HOLDOWN DETAILS

HOLDOWN SCHEDULE			
LEVEL	MARK	SIMPSON HOLDOWN	END POST (MIN)
4th	H.D.-1	HDU4 W/5/8" A36 ROD	(2)2x6
3rd	H.D.-2	HDU8 W/7/8" A36 ROD	(3)2x6
1st & 2nd	H.D.-3	HDU14 W/1" A36 ROD	5 1/4x5 1/4

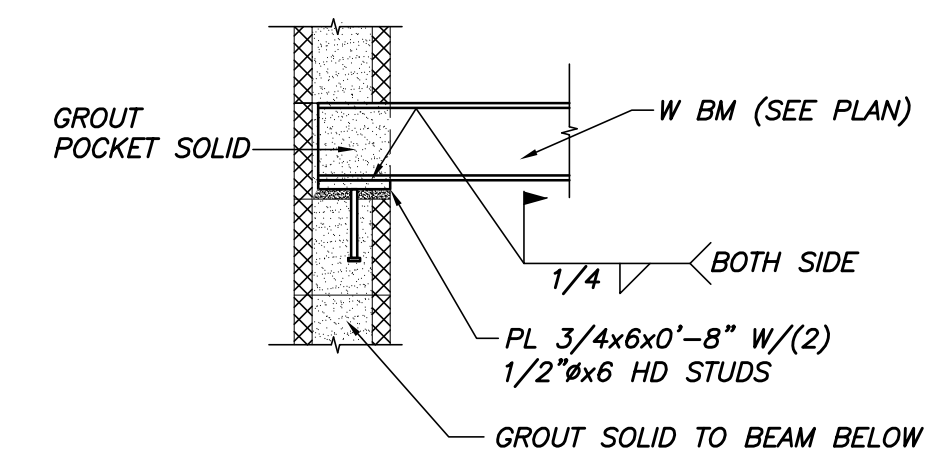
SECTION 1  
3/4"=1'-0"

SECTION 2  
3/4"=1'-0"



SECTION 3  
3/4"=1'-0"

SECTION 4  
3/4"=1'-0"



TYP CMU BEAM POCKET DETAIL  
N.T.S.