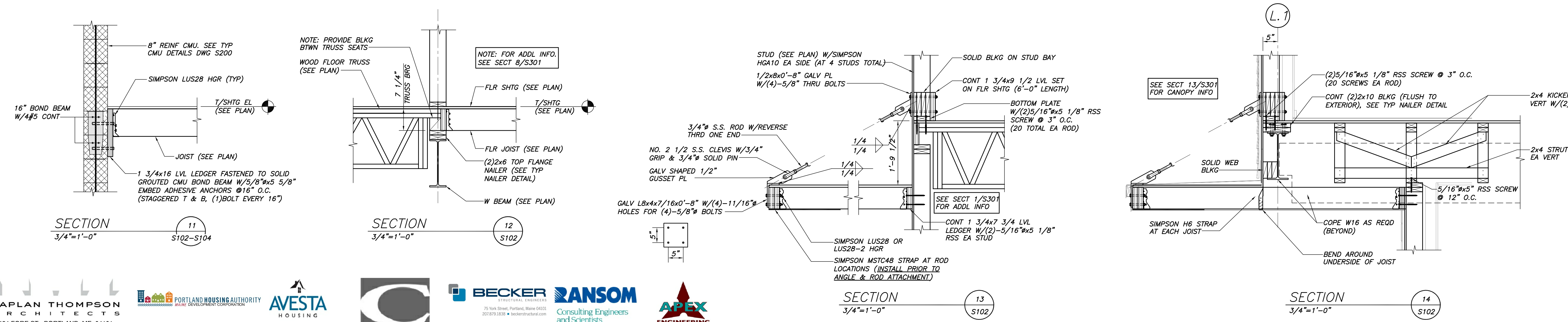
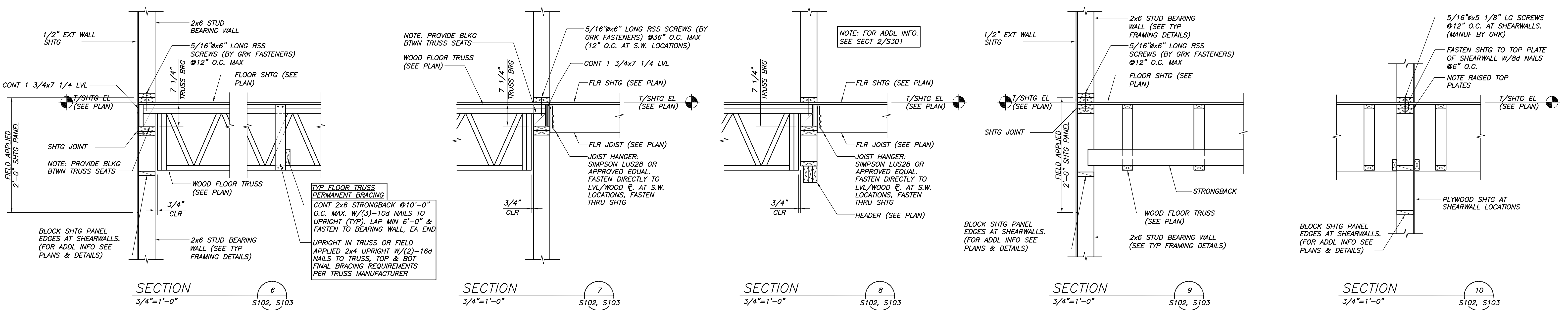


SEE ARCH DWGS FOR INSULATION & MOISTURE BARRIER REQUIREMENTS.



KAPLAN THOMPSON ARCHITECTS
424 FORE ST., PORTLAND, ME 04101
207-842-2888

PORTLAND HOUSING AUTHORITY
14 BAXTER BLVD
PORTLAND, ME 04101
P: 207.773.4753

AVESTA HOUSING
307 CUMBERLAND AVE
PORTLAND, ME 04101
P: 207.553.7777

CARROLL ASSOCIATES LANDSCAPE ARCHITECTS
217 COMMERCIAL STREET, STE 206
PORTLAND, MAINE 04101
207.772.1552 V. F. 207.772.0712

BECKER STRUCTURAL ENGINEERS
75 YORK STREET, PORTLAND, MAINE 04101
207.879.1838

RANSOM Consulting Engineers and Scientists
400 COMMERCIAL ST. SUITE 404
PORTLAND, ME 04101
P: 207.772.2891

APEX ENGINEERING
190 US ROUTE ONE
PMB 346 FALMOUTH, ME 04105
P: 207.847.3445

PRICING DOCUMENTS

Project:
BAYSIDE ANCHOR
PHDC & Avesta
81 East Oxford Street
Portland, ME

Drawing: Framing Sections & Details
Scale: Noted
Date: 8/28/15
Drawn by: APP
Revised: