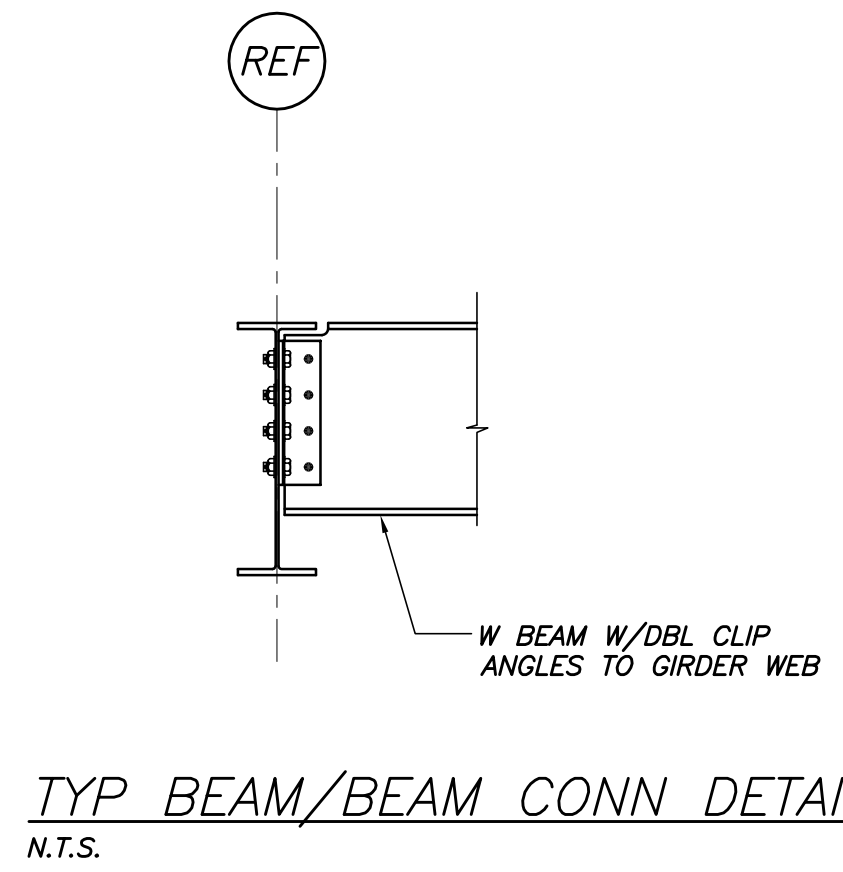
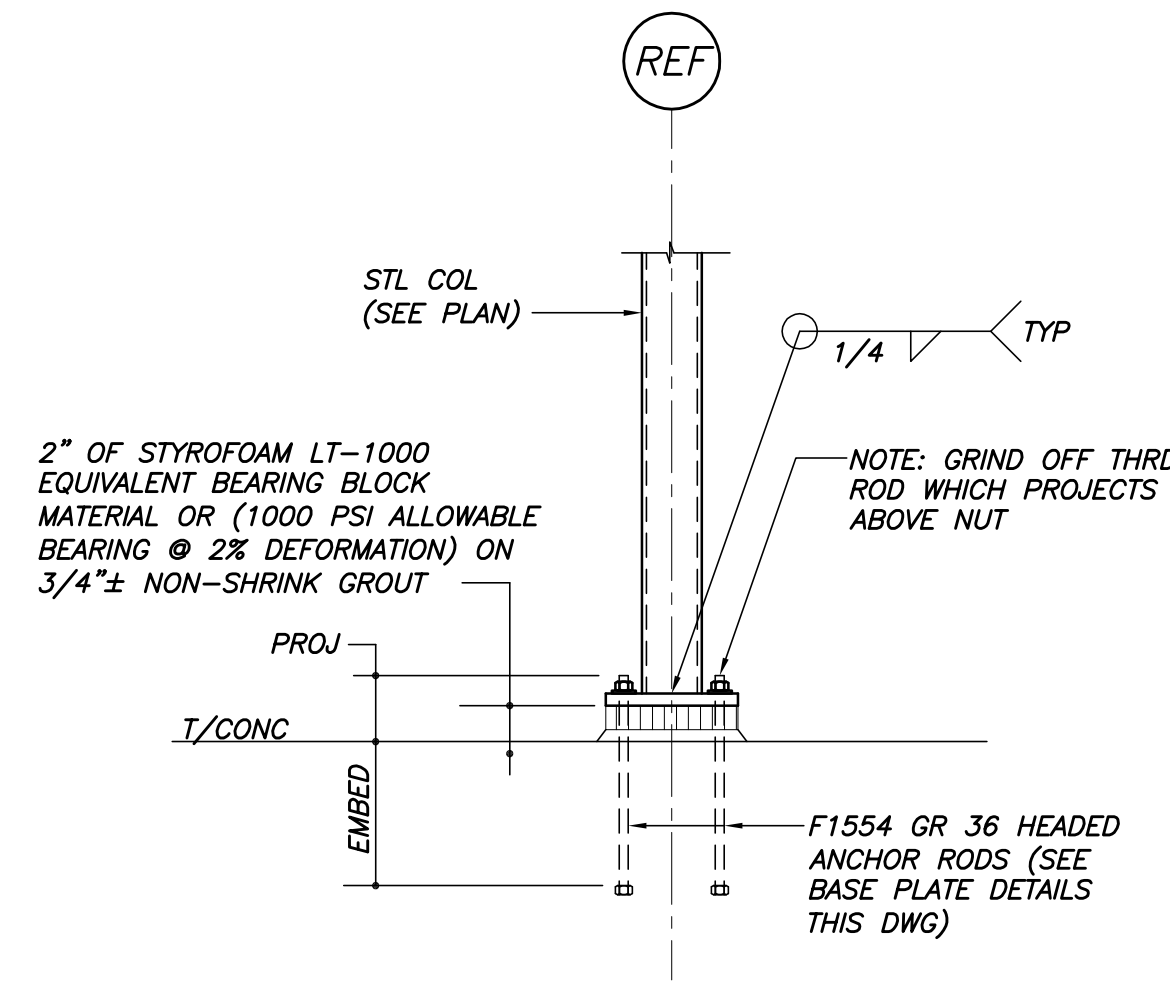


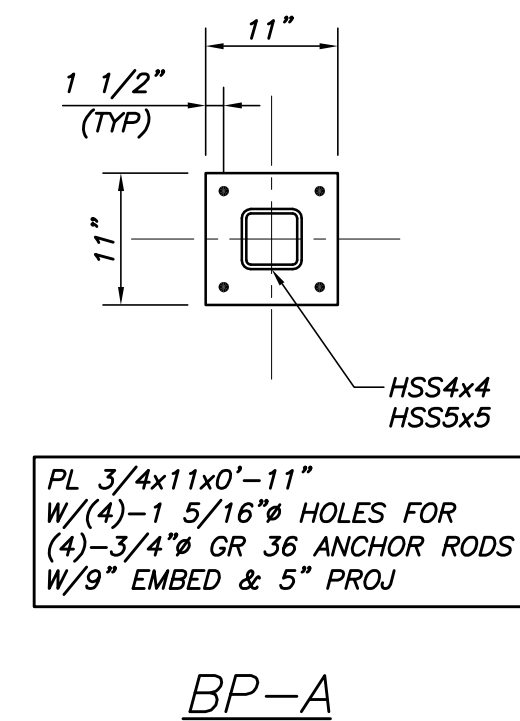
TYP BEAM TO HSS COL CONN U.N.O.
N.T.S.



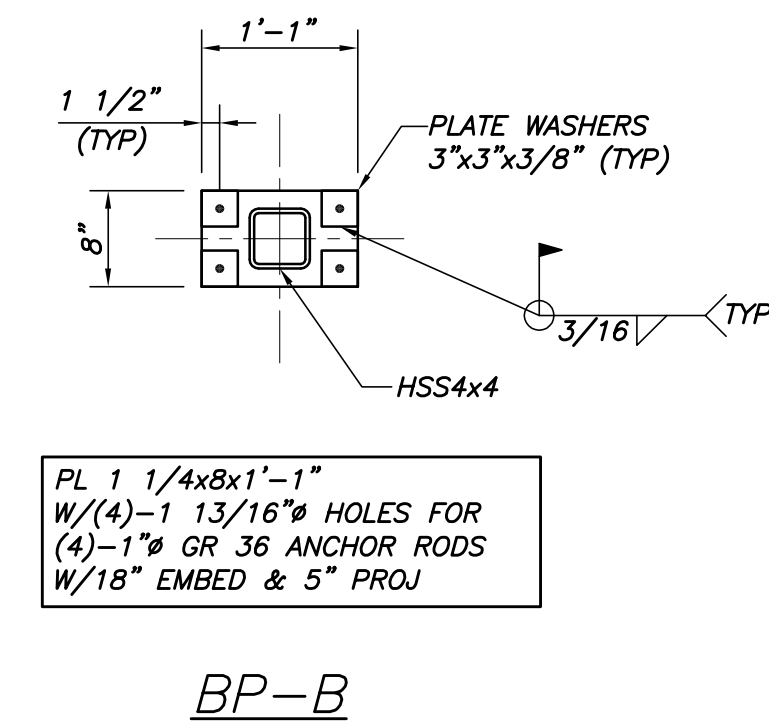
TYP BEAM/BEAM CONN DETAIL
N.T.S.



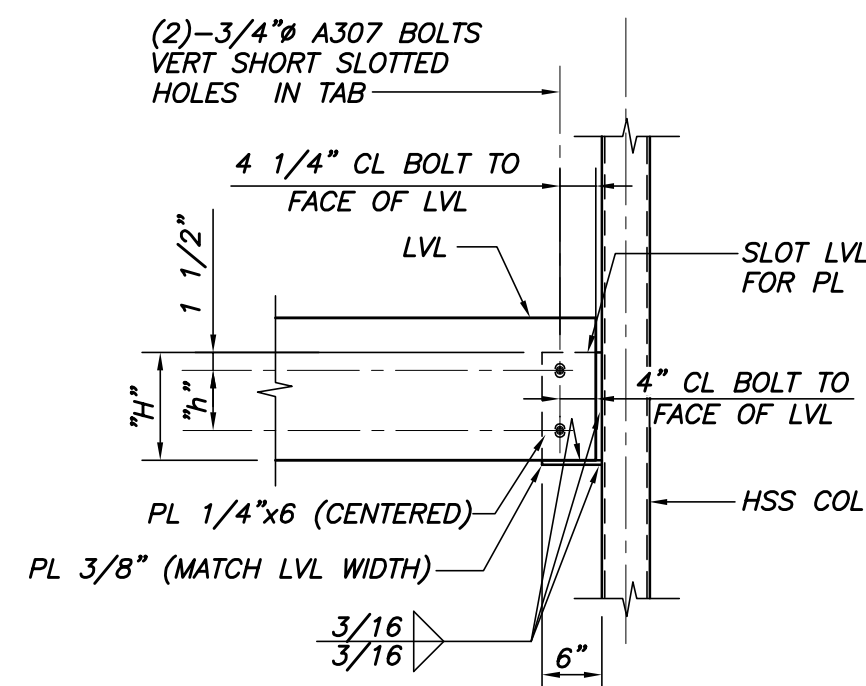
TYP COL BASE DETAIL U.N.O.
N.T.S.



BP-A

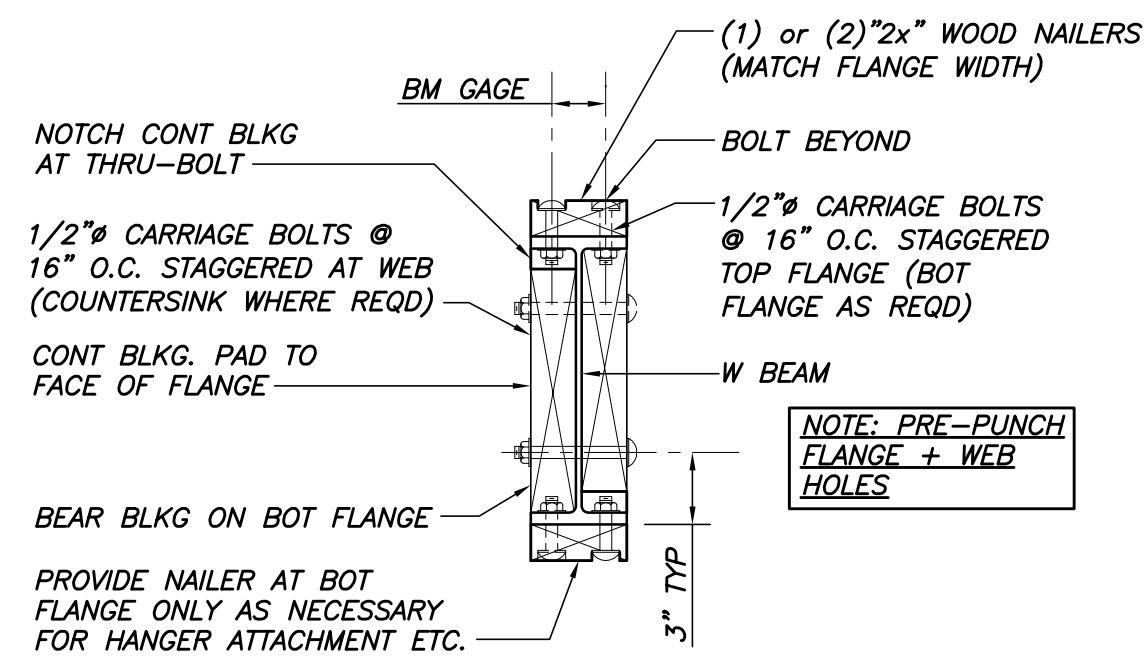


BP-B

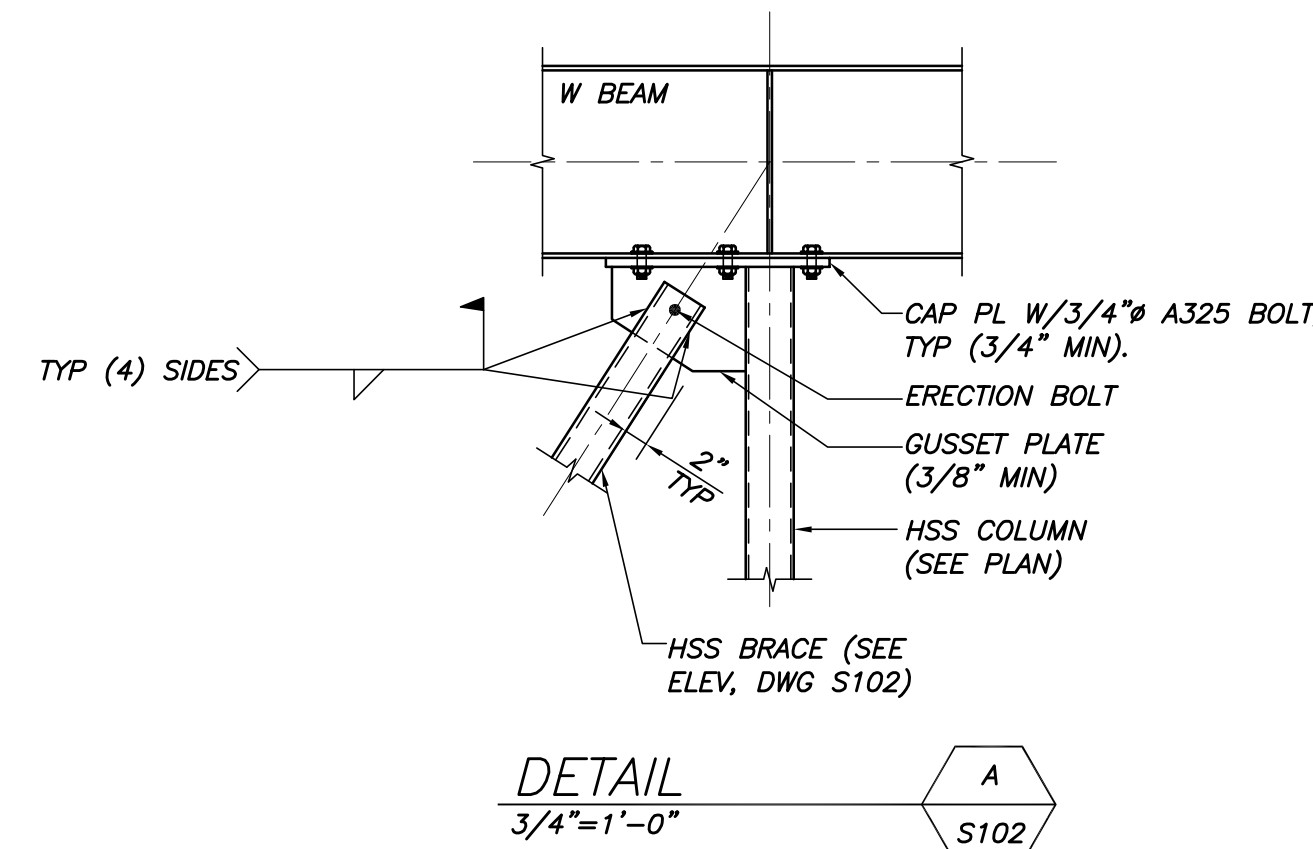


LVL DEPTH	7"	7 1/2"
7 1/4"	6"	3"
9 1/4"-11 7/8"	8"	5"
14"-16"	12"	9"

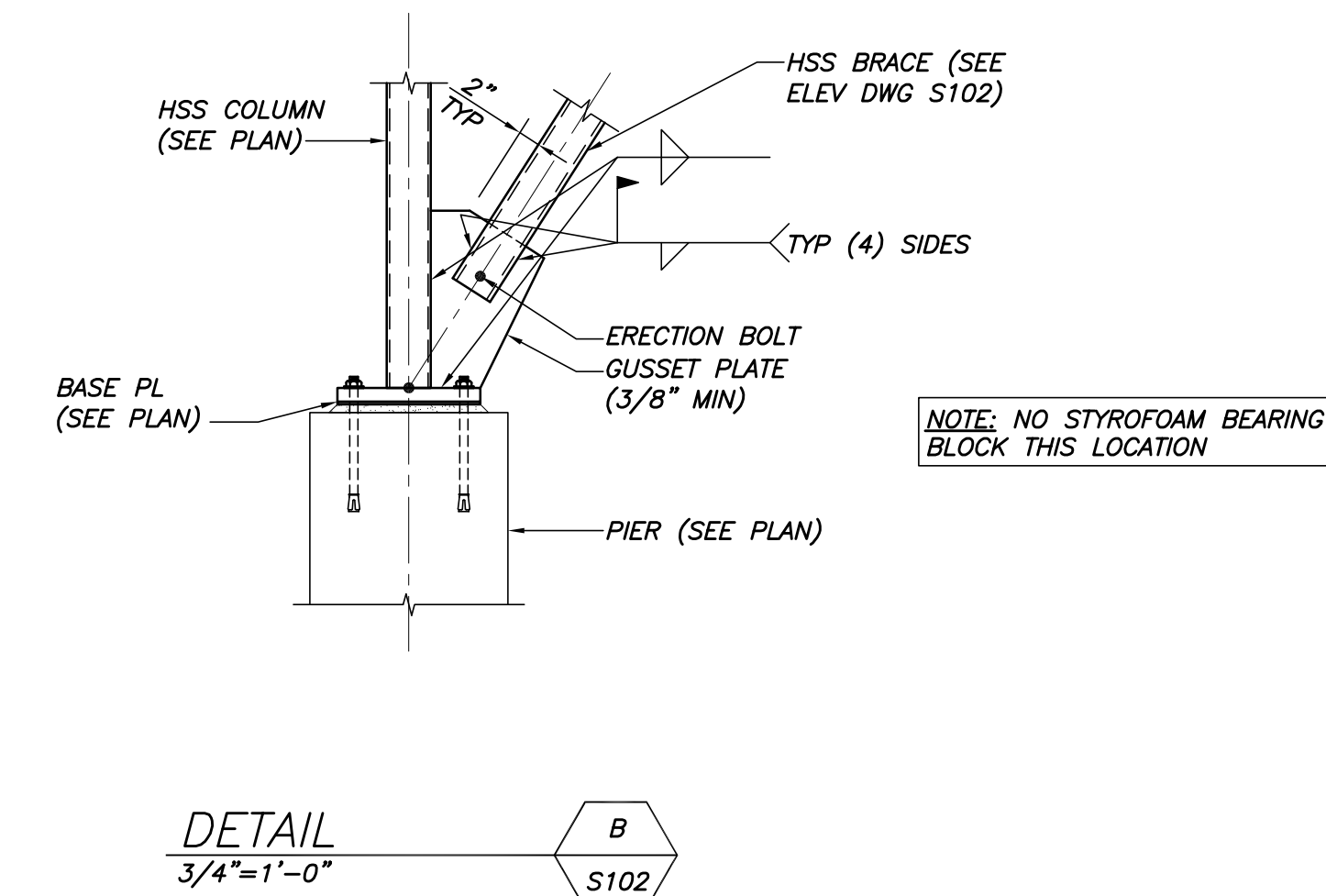
TYP LVL TO HSS COL CONN
3/4=1'-0"



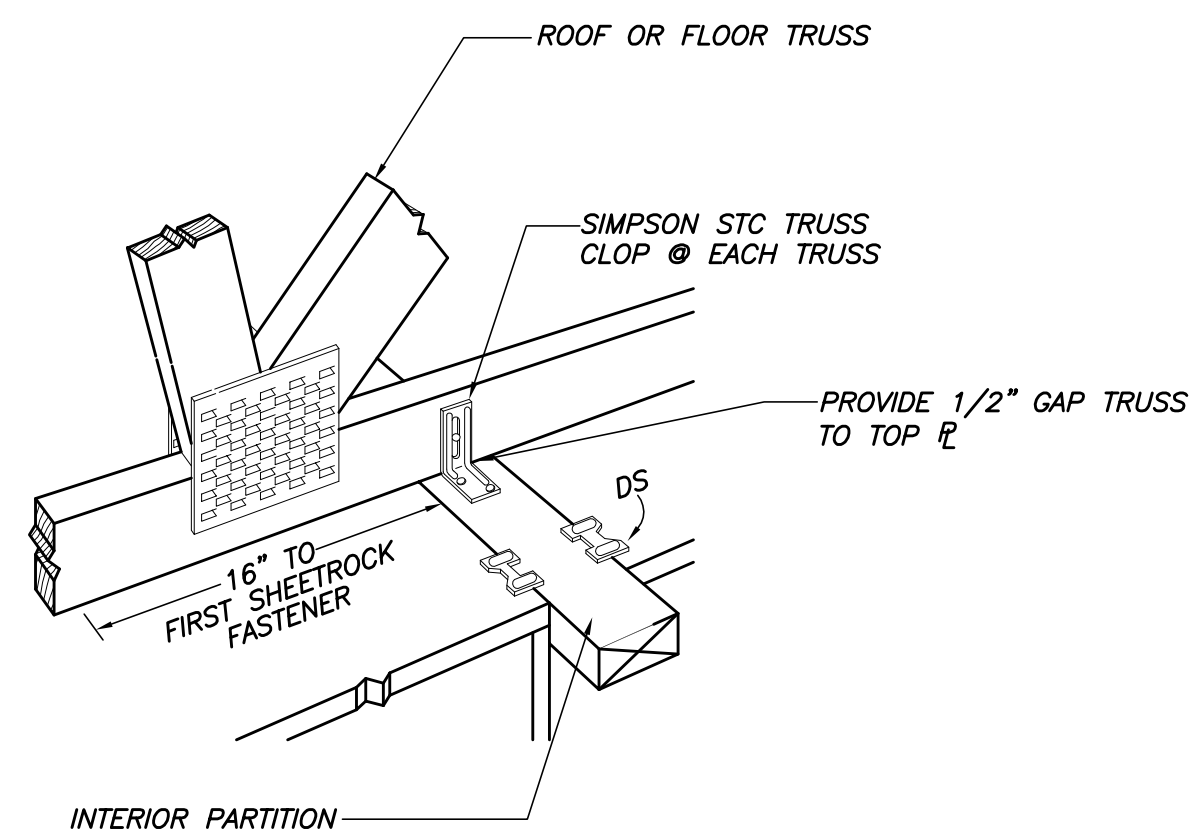
TYP WOOD NAILER/WEB
BLKG TO W-BM DETAIL
N.T.S.



DETAIL
3/4=1'-0" A
S102

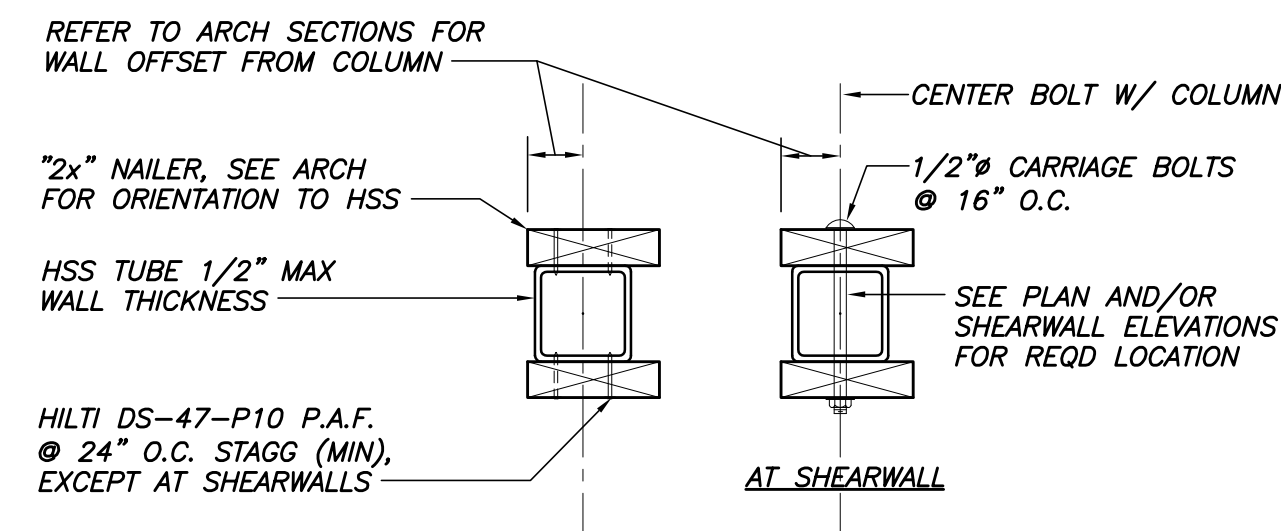


DETAIL
3/4=1'-0" B
S102

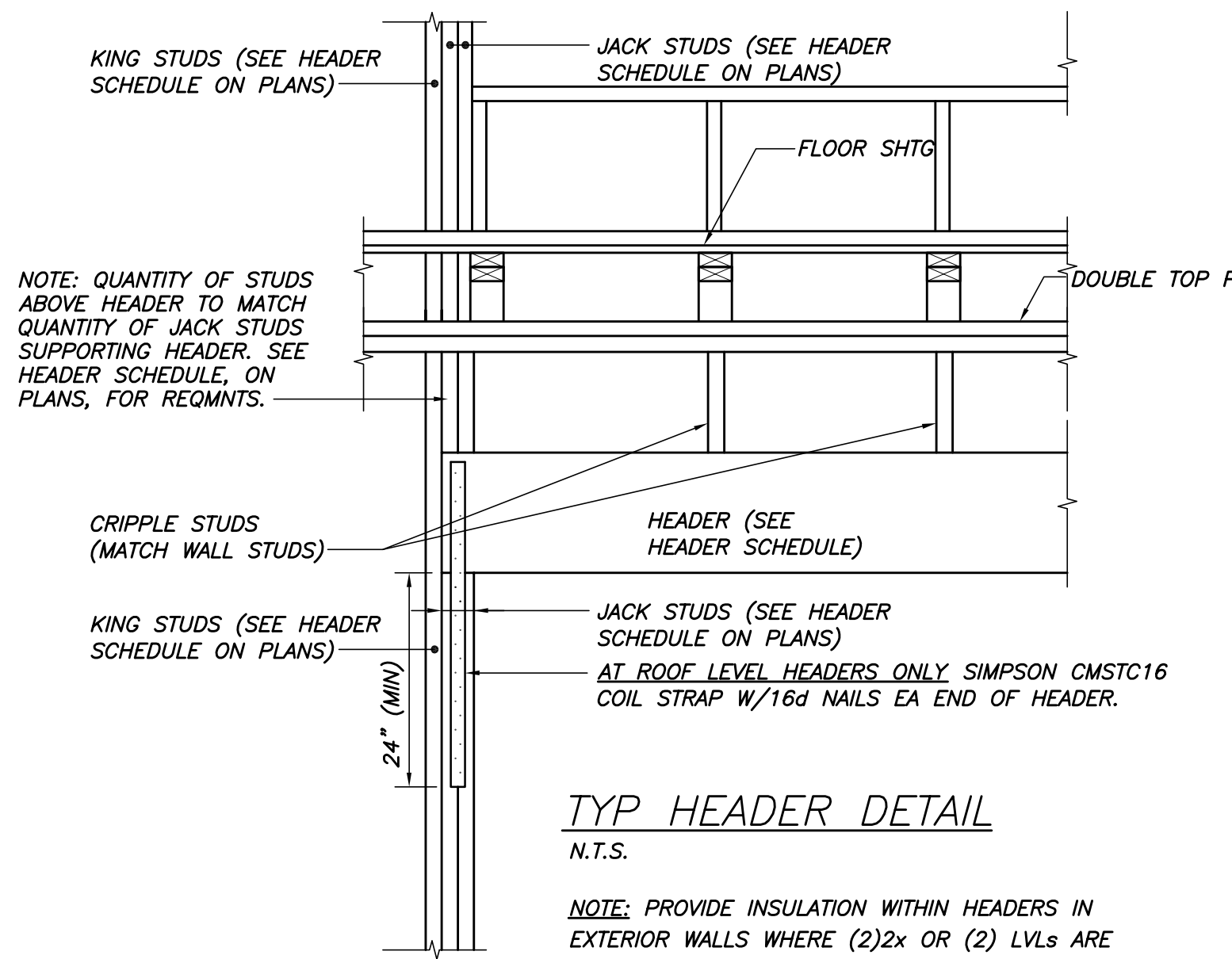


TYP ATTACHMENT OF NON-LOAD
BEARING WALLS
N.T.S.

NOTE: WHERE WALLS ARE PARALLEL TO TRUSSES, ADD BLOCKING WITH STC CLIPS AT 2'-0" O.C. PROVIDE 1/2" GAP.

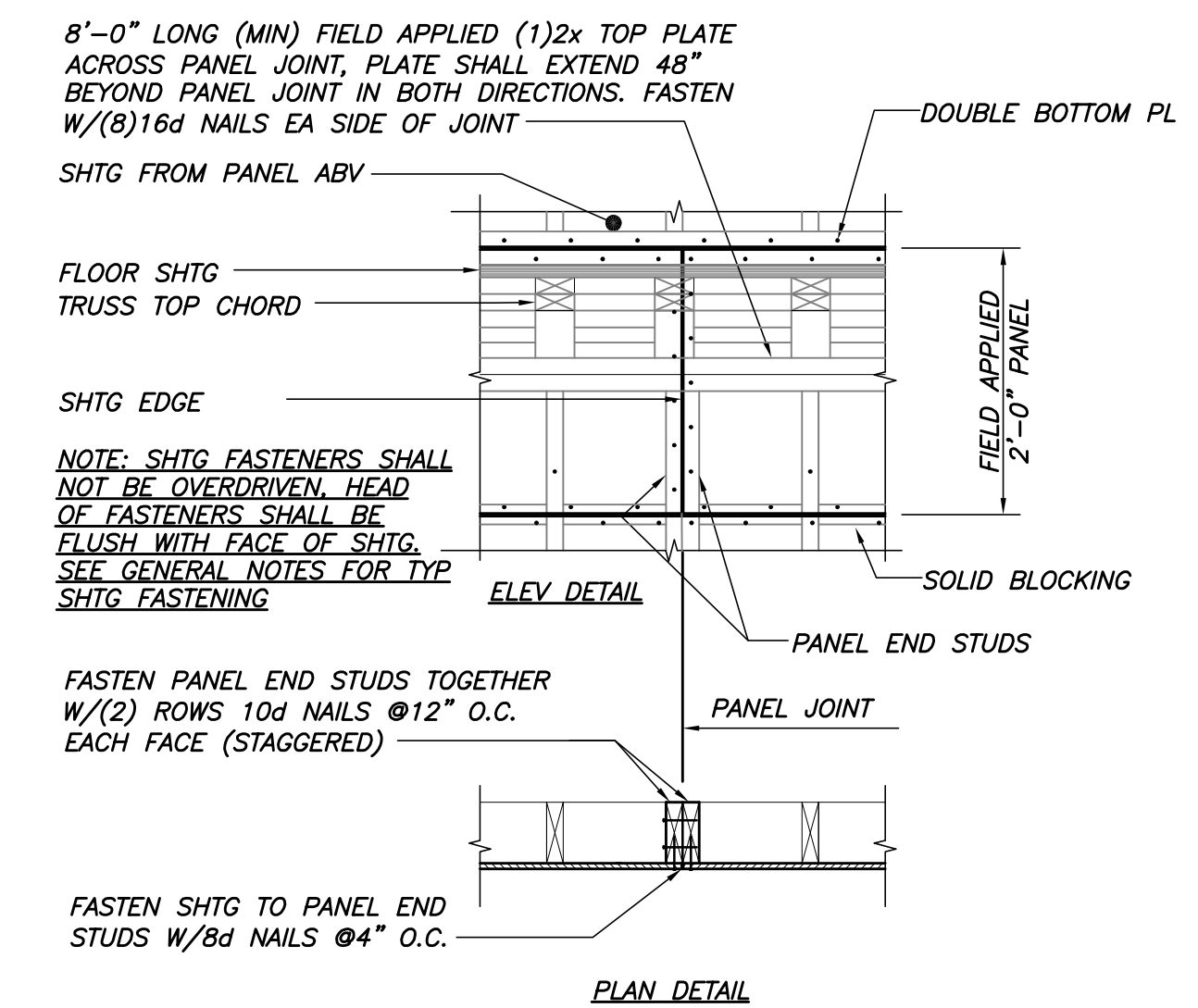


TYP WOOD NAILER TO HSS COL DETAIL
N.T.S.



TYP HEADER DETAIL
N.T.S.

NOTE: PROVIDE INSULATION WITHIN HEADERS IN EXTERIOR WALLS WHERE (2)2x OR (2) LVLs ARE SPECIFIED. COORDINATE REQUIREMENTS WITH ARCH.



TYP EXT WALL PANEL-PANEL
CONN DETAIL U.N.O.
N.T.S.