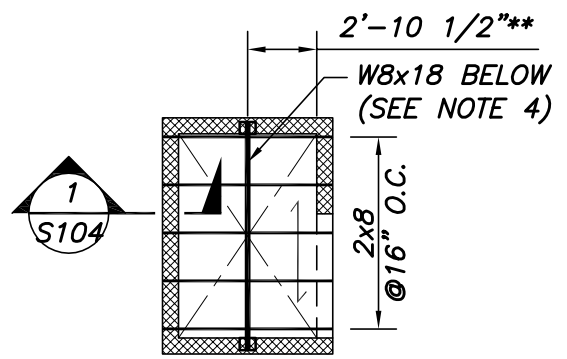


SECTION
3/4"=1'-0" 1/S104



ELEVATOR SHAFT OVERRIDE FRAMING PLAN
1/8"=1'-0"

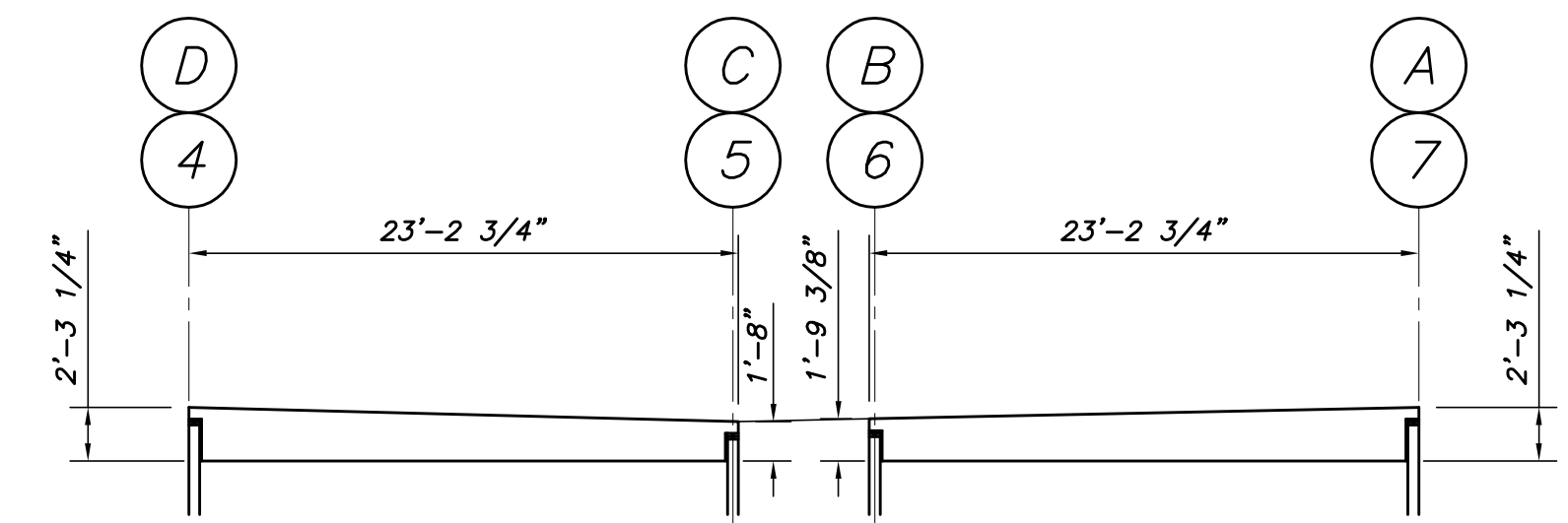
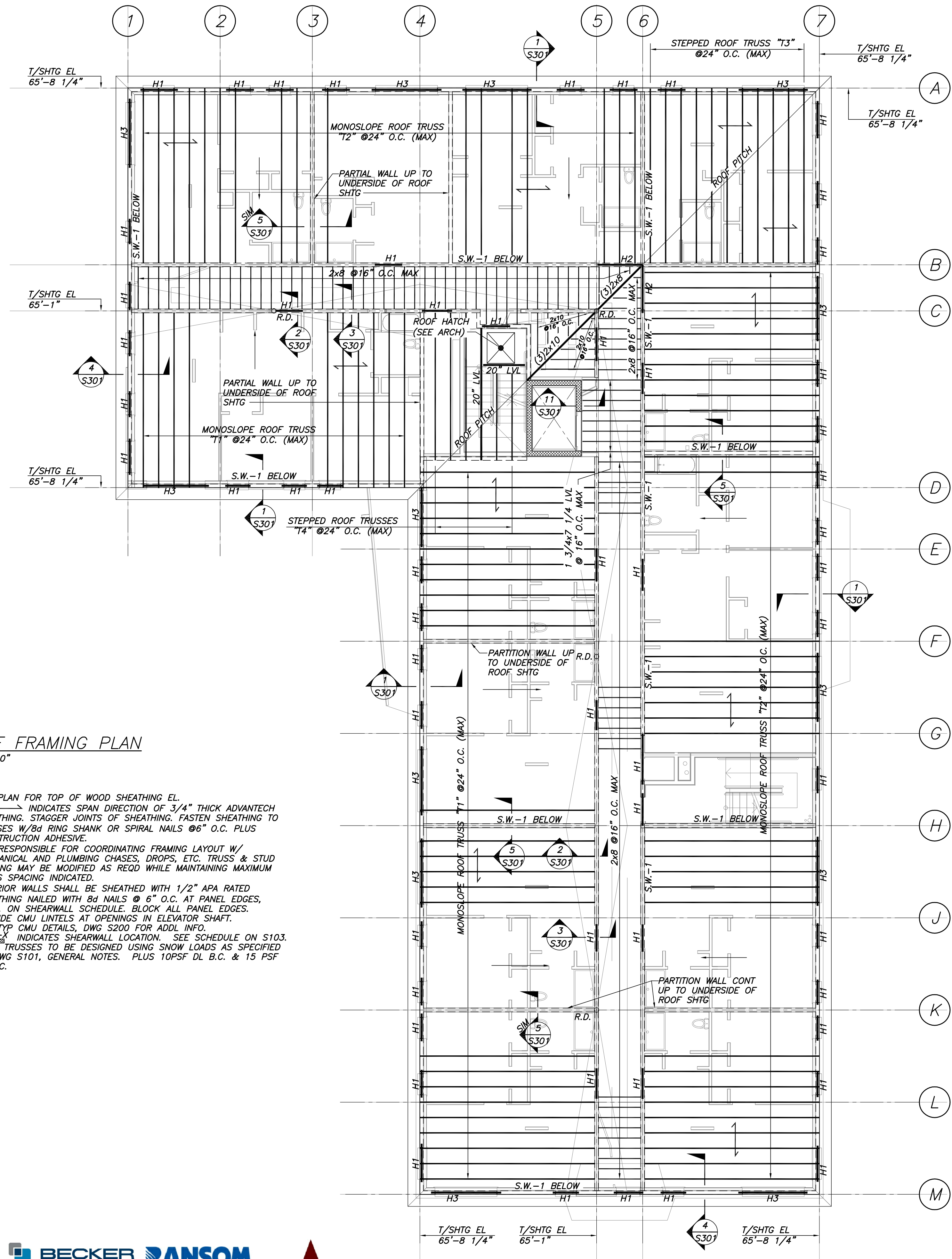
NOTES:

1. T/SHTG EL 70'-4 1/2"
2. T/CMU EL 69'-7"
3. → INDICATES SPAN DIRECTION OF 3/4" T&G SHEATHING.
4. T/STL EL 68'-11" AT HOIST BEAM. PROVIDE BEARING PL 3/4"x6"x0'-8" W/(2)-1/2"x6" NELSON S3L HEADED STUDS EMBEDDED IN GROUTED CMU TYP EA END OF HOIST BEAM. TOP OF BRG PL EL 68'-3".
5. ** INDICATES DIMENSION TO BE VERIFIED W/APPROVED ELEVATOR SHOP DWGS.

ROOF FRAMING PLAN
1/8"=1'-0"

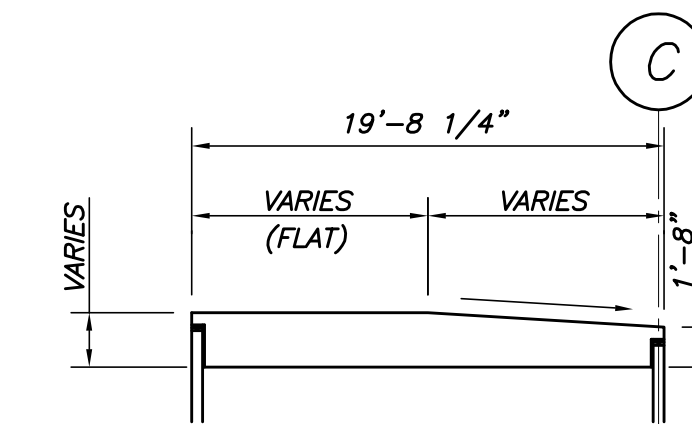
NOTES:

1. SEE PLAN FOR TOP OF WOOD SHEATHING EL.
2. → INDICATES SPAN DIRECTION OF 3/4" THICK ADVANTECH SHEATHING. STAGGER JOINTS OF SHEATHING. FASTEN SHEATHING TO TRUSSES W/8d RING SHANK OR SPIRAL NAILS @6" O.C. PLUS CONSTRUCTION ADHESIVE.
3. C.C. RESPONSIBLE FOR COORDINATING FRAMING LAYOUT W/ MECHANICAL AND PLUMBING CHASES, DROPS, ETC. TRUSS & STUD SPACING MAY BE MODIFIED AS REQD WHILE MAINTAINING MAXIMUM TRUSS SPACING INDICATED.
4. EXTERIOR WALLS SHALL BE SHEATHED WITH 1/2" APA RATED SHEATHING NAILED WITH 8d NAILS @ 6" O.C. AT PANEL EDGES, U.N.O. ON SHEARWALL SCHEDULE. BLOCK ALL PANEL EDGES.
5. PROVIDE CMU LINTELS AT OPENINGS IN ELEVATOR SHAFT.
6. SEE TYP CMU DETAILS, DWG S200 FOR ADDL INFO.
7. S.W.-1 INDICATES SHEARWALL LOCATION. SEE SCHEDULE ON S103.
8. ROOF TRUSSES TO BE DESIGNED USING SNOW LOADS AS SPECIFIED ON DWG S101, GENERAL NOTES. PLUS 10PSF DL B.C. & 15 PSF DL T.C.

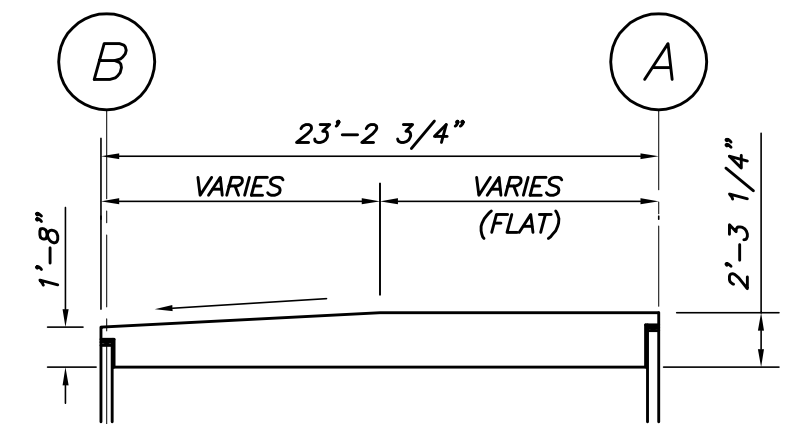


TRUSS TYPE "T1"

TRUSS TYPE "T2"



TRUSS TYPE "T4"



TRUSS TYPE "T3"

PRICING DOCUMENTS

Project:
BAYSIDE ANCHOR
PHDC & Avesta
81 East Oxford Street
Portland, ME

Drawing: Roof Framing Plan

Scale: Noted

Date: 8/28/15

Drawn by: APP

Revised: