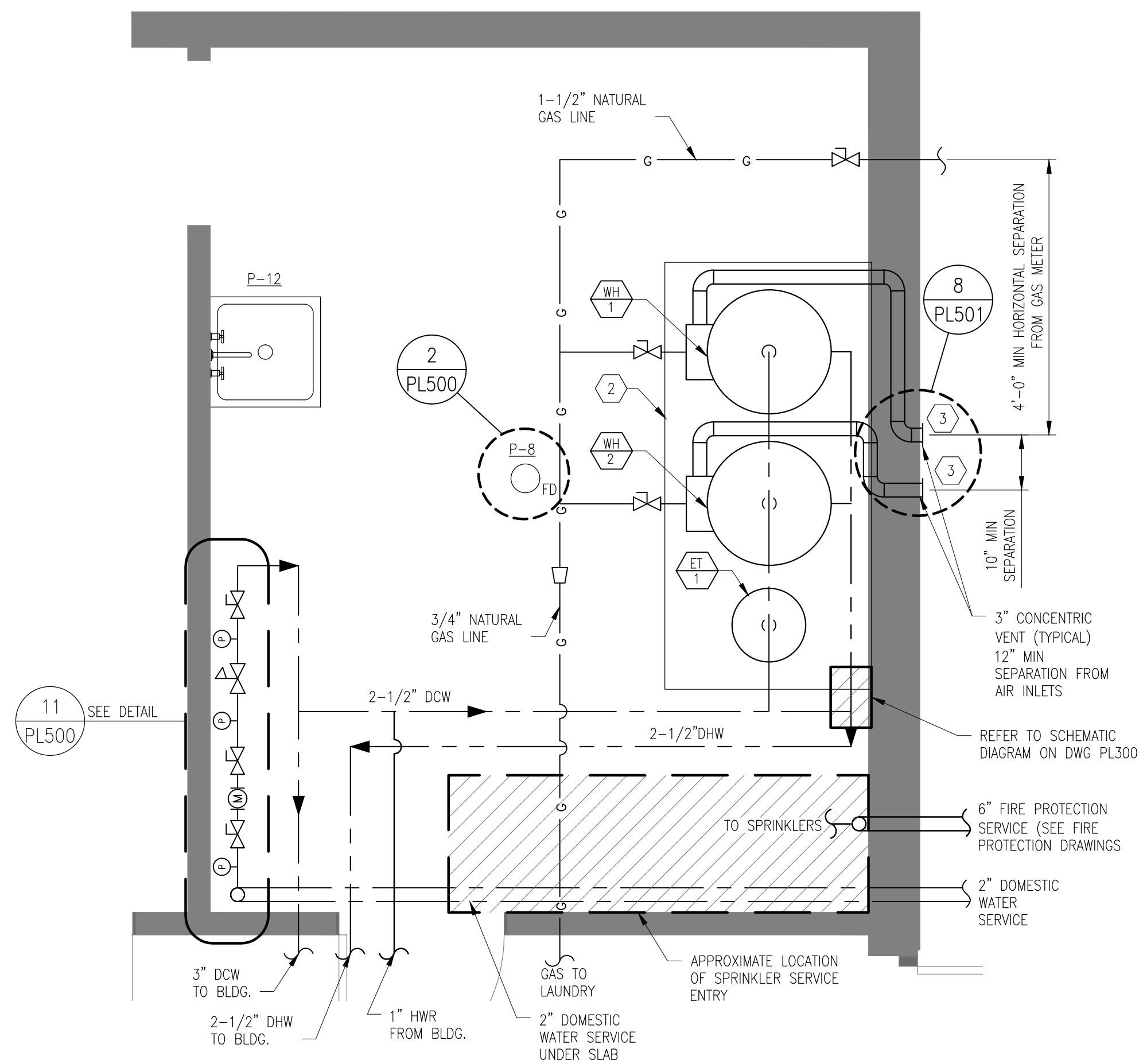


GENERAL NOTES

1. SEE DRAWING PL001 FOR GENERAL NOTES.

KEY NOTES

- 1. INSTALL ANTI-SCALD DEVICE.
- 2. 6" HIGH CAST-IN-PLACE EQUIPMENT PAD. SEE STRUCTURAL.
- 3. MOUNT EXHAUST 7'-0" MIN. ABOVE GRADE.



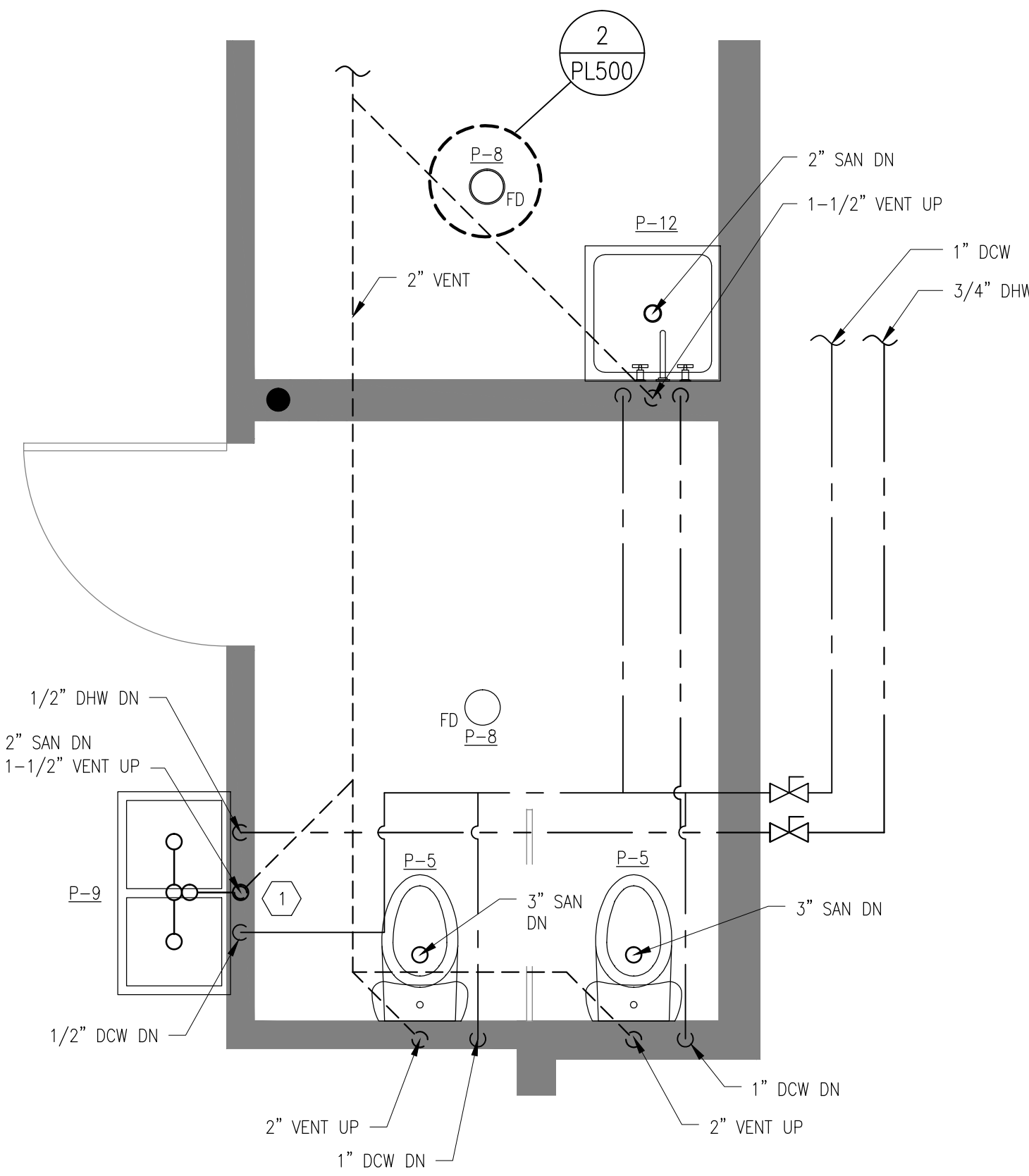
1 FIRST FLOOR MECHANICAL ROOM

PL401

SCALE: 1/2"-1'-0"

NOTE:

- 1. SEE PL100 FOR UNDERSLAB PIPING
- 2. SEE DETAIL ON PL500 FOR HOT WATER RECIRC AND THERMOSTATIC MIXING VALVE.



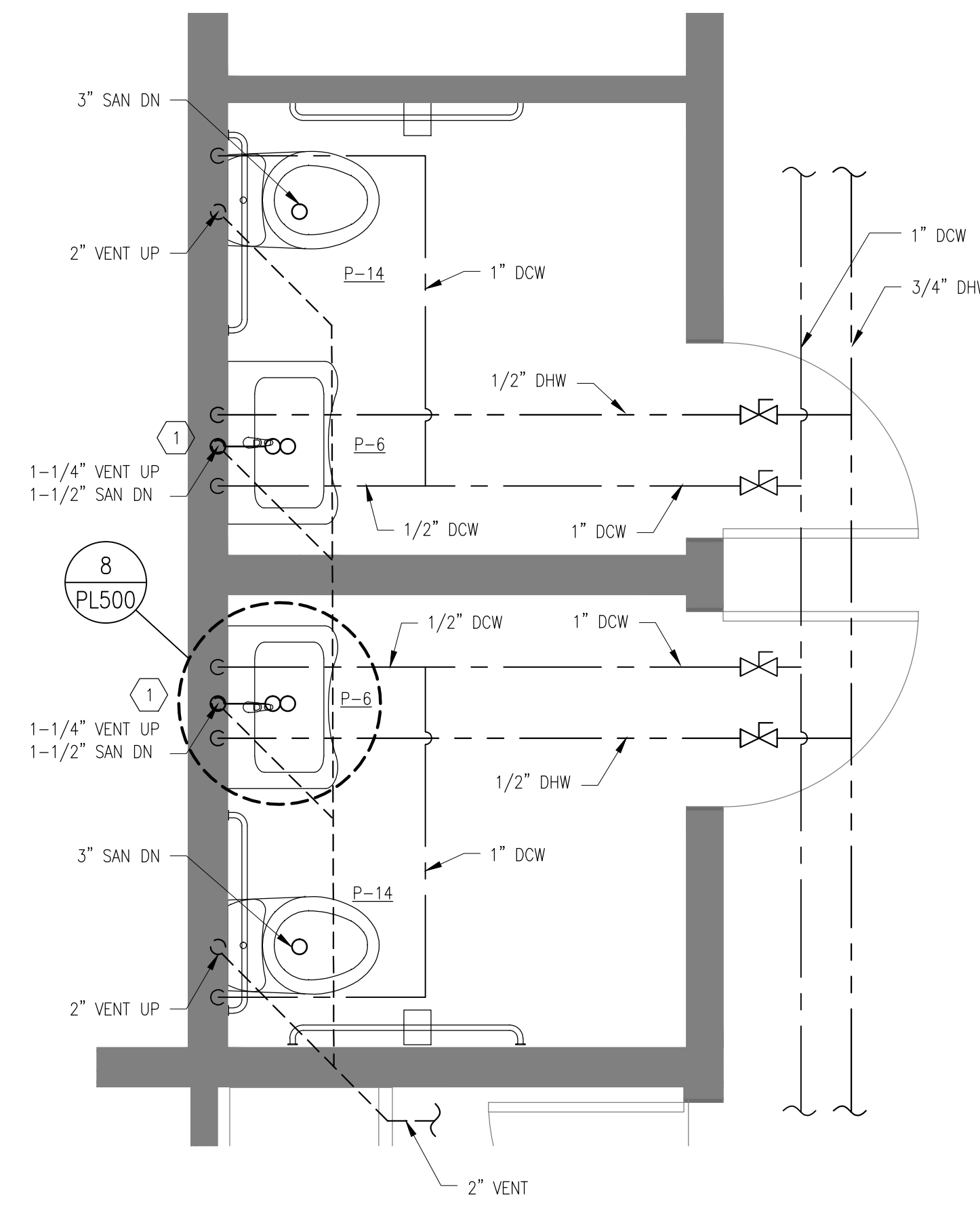
2 CHILDREN'S TOILET - ALTERNATE

PL401

SCALE: 1/2"-1'-0"

NOTE:

- 1. SEE PL100 FOR UNDERSLAB PIPING



3 ADA TOILETS

PL401

SCALE: 1/2"-1'-0"

NOTE:

- 1. SEE PL100 FOR UNDERSLAB PIPING



424 FORE ST.
PORTLAND, ME 04101
207-842-2888



14 BAXTER BLVD
PORTLAND, ME 04101
P: 207.773.4753



307 CUMBERLAND AVE
PORTLAND, ME 04101
P: 207.553.7777



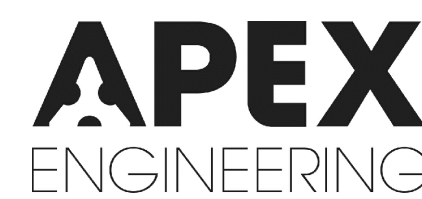
217 COMMERCIAL STREET, STE 200
PORTLAND, MAINE 04101
207.772.1562 V. F. 207.772.0712



75 YORK ST.
PORTLAND, ME 04101
P: 207.879.1838



400 COMMERCIAL ST.
SUITE 404
PORTLAND, ME 04101
P: 207.772.2891



190 US ROUTE ONE
PMB 346 FALMOUTH, ME
04105
P: 207.847.3445

PRICING DOCUMENTS

Project: BAYSIDE ANCHOR
PHDC & Avesta
81 East Oxford Street
Portland, ME

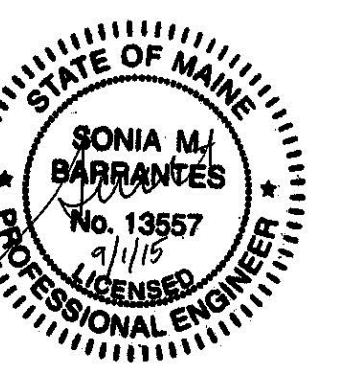
Drawing: PLUMBING - ENLARGED FLOOR PLANS - SHEET 2 OF 2

Scale: AS NOTED

Drawn by: AEW

Date: 9/1/15

Revised:



PL401