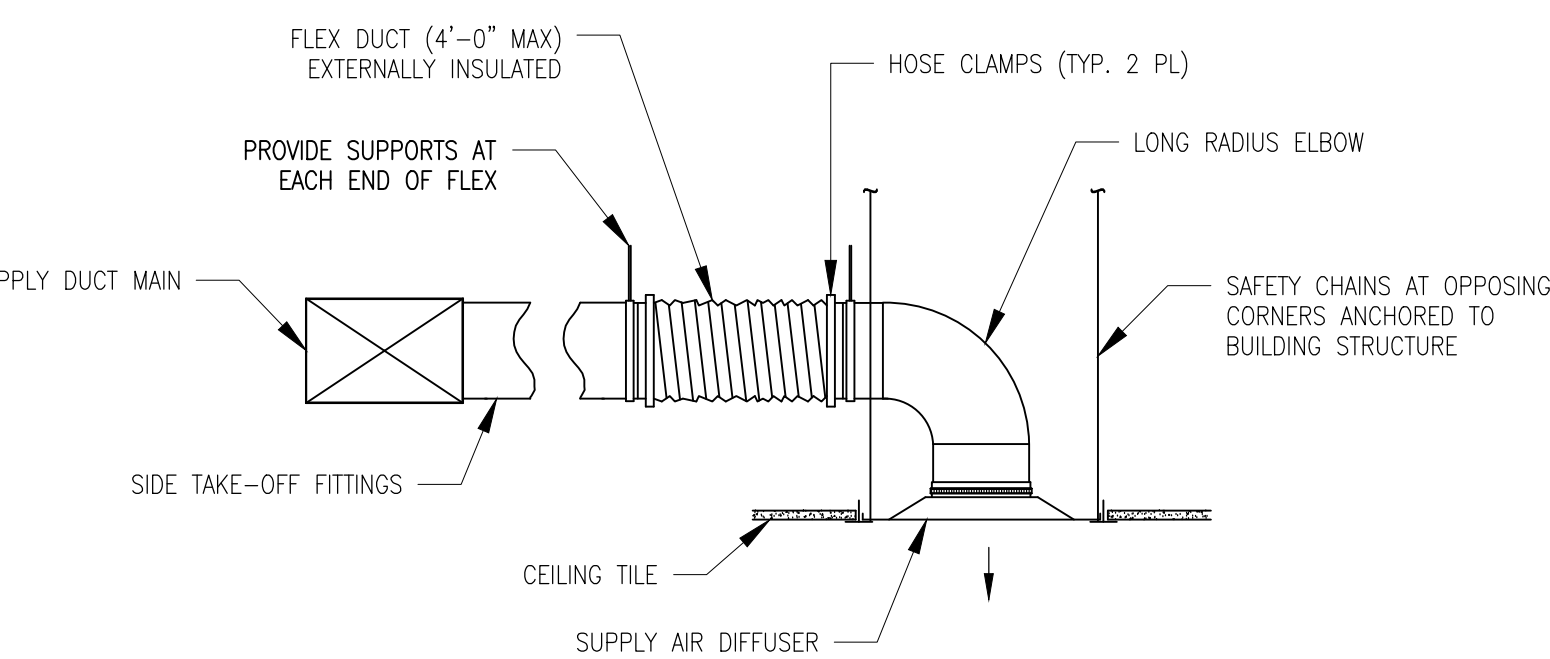
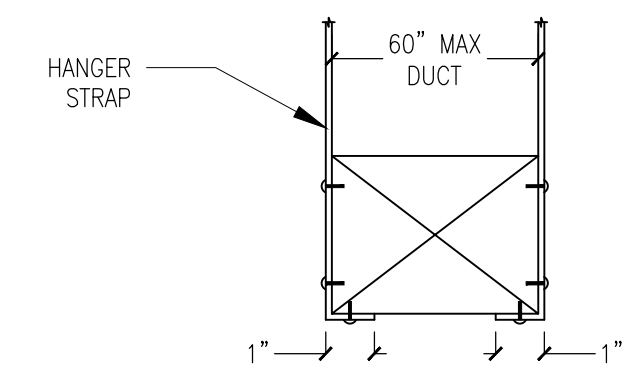


1 DUCT TRANSITION DETAILS  
M501 NOT TO SCALE

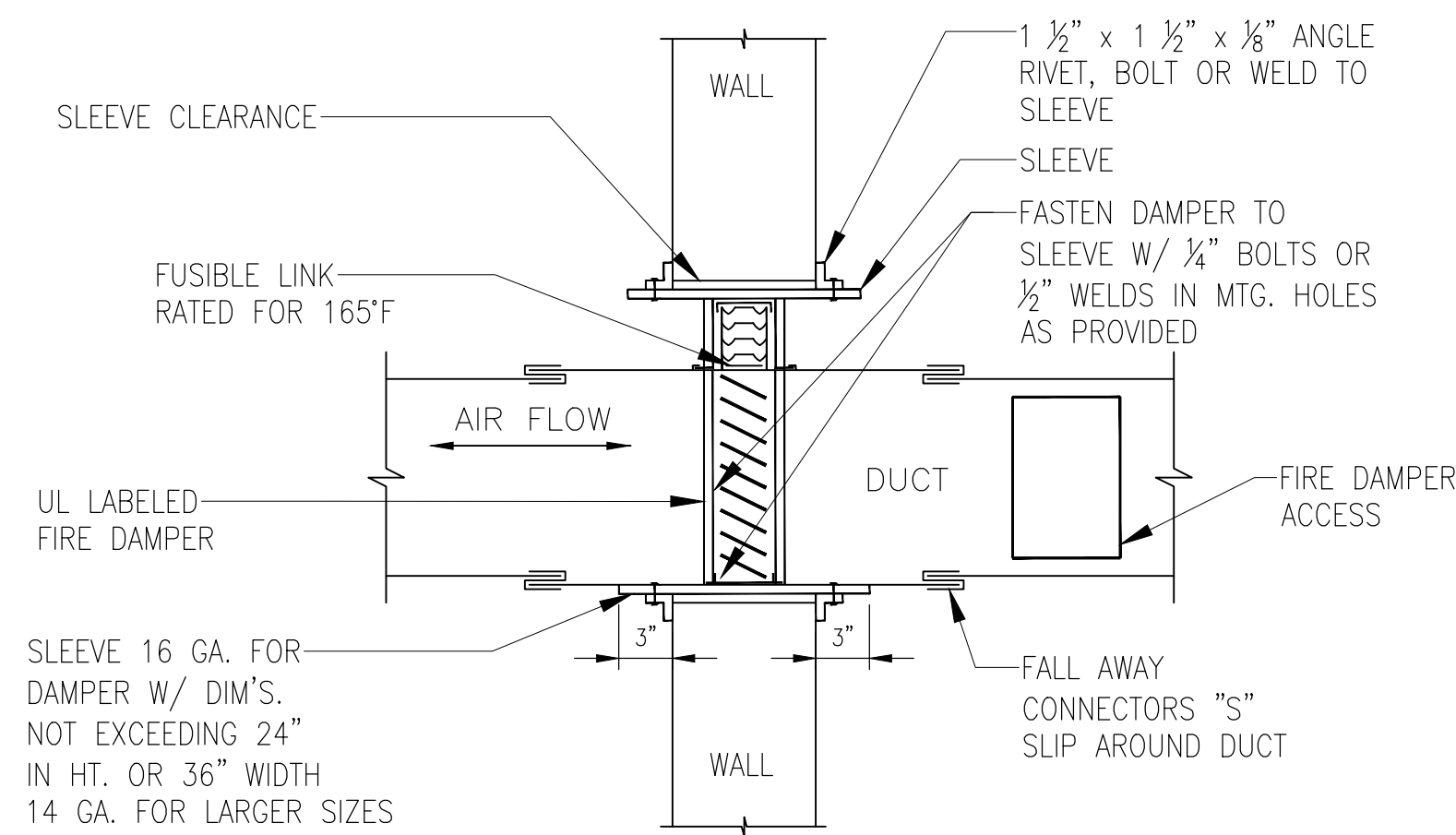


6 FLEX CONNECTION TO GRILLE/DIFFUSER DETAIL  
M501 NOT TO SCALE

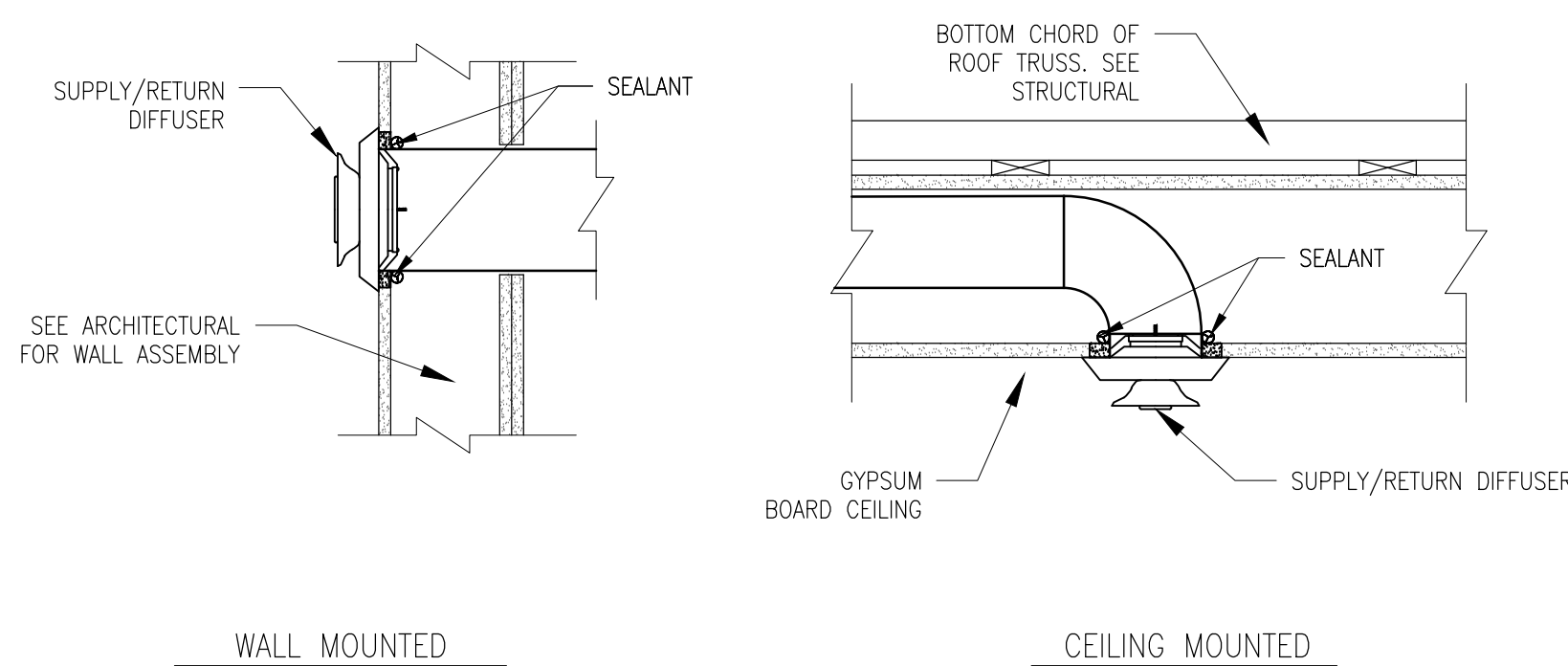


NOTES:  
1. SIZE AND RATING OF HANGERS & SUPPORTS SHALL BE PER LATEST "SMACNA" STANDARDS

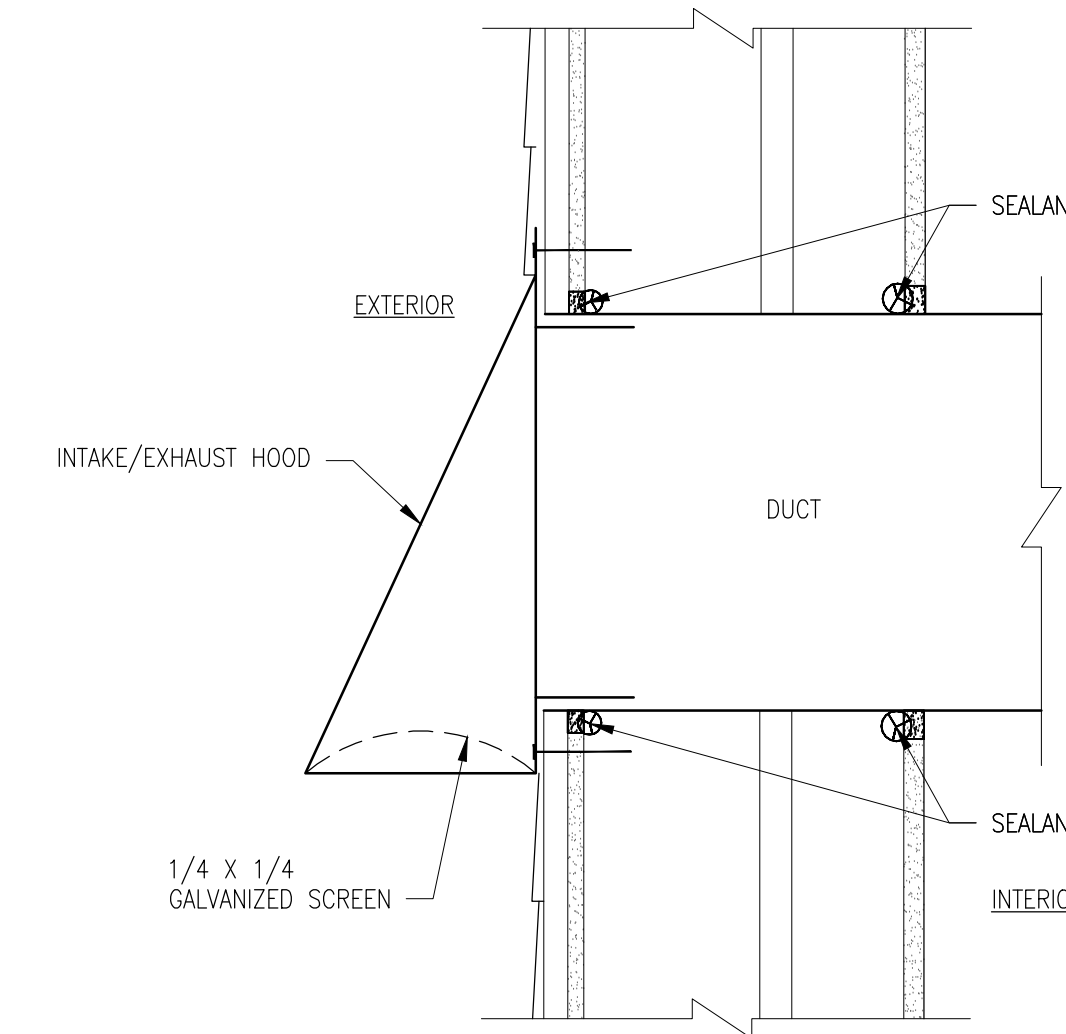
2 DUCT SUPPORT ATTACHMENT DETAIL  
M501 NOT TO SCALE



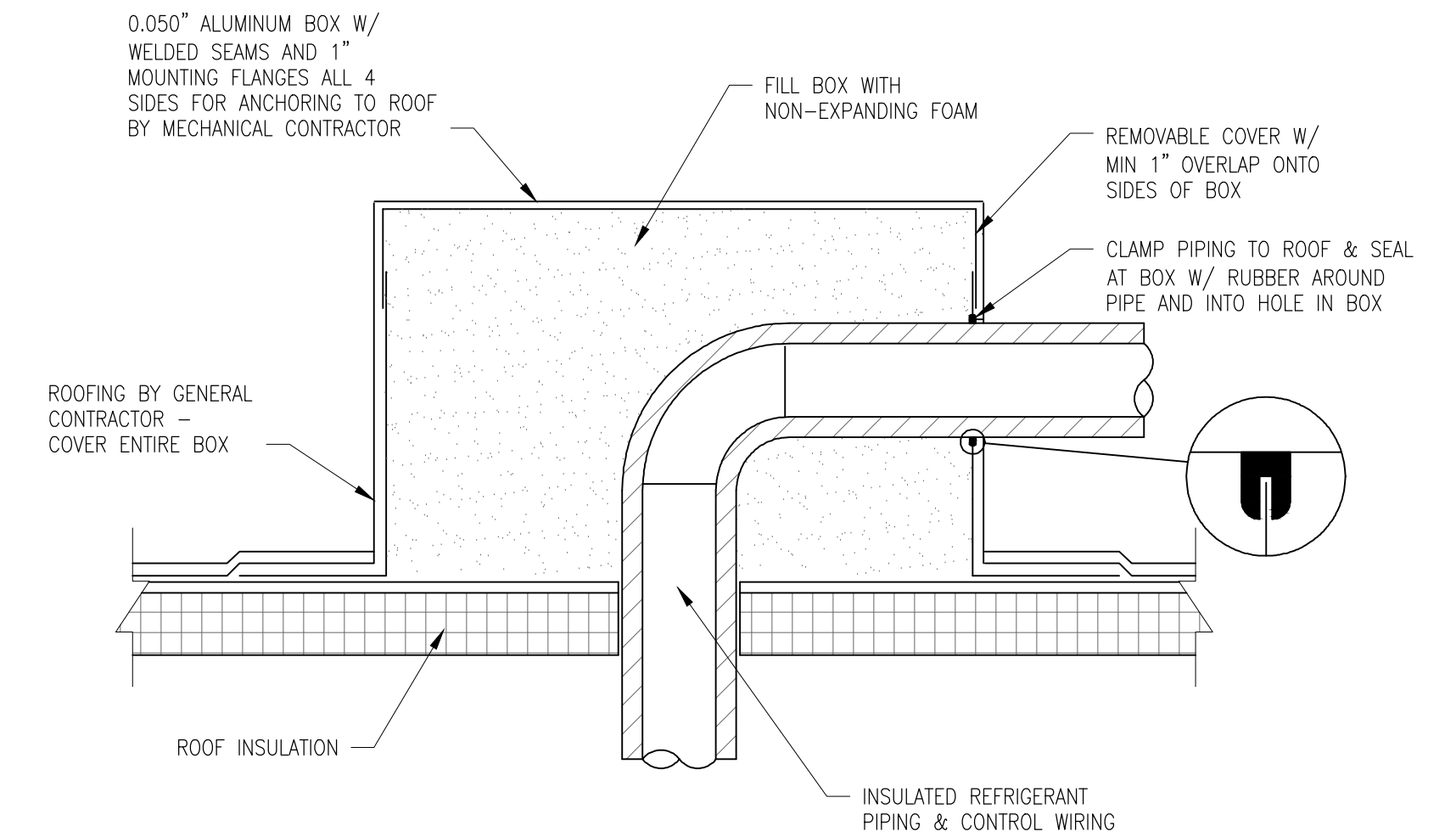
3 FIRE DAMPER DETAIL  
M501 NOT TO SCALE



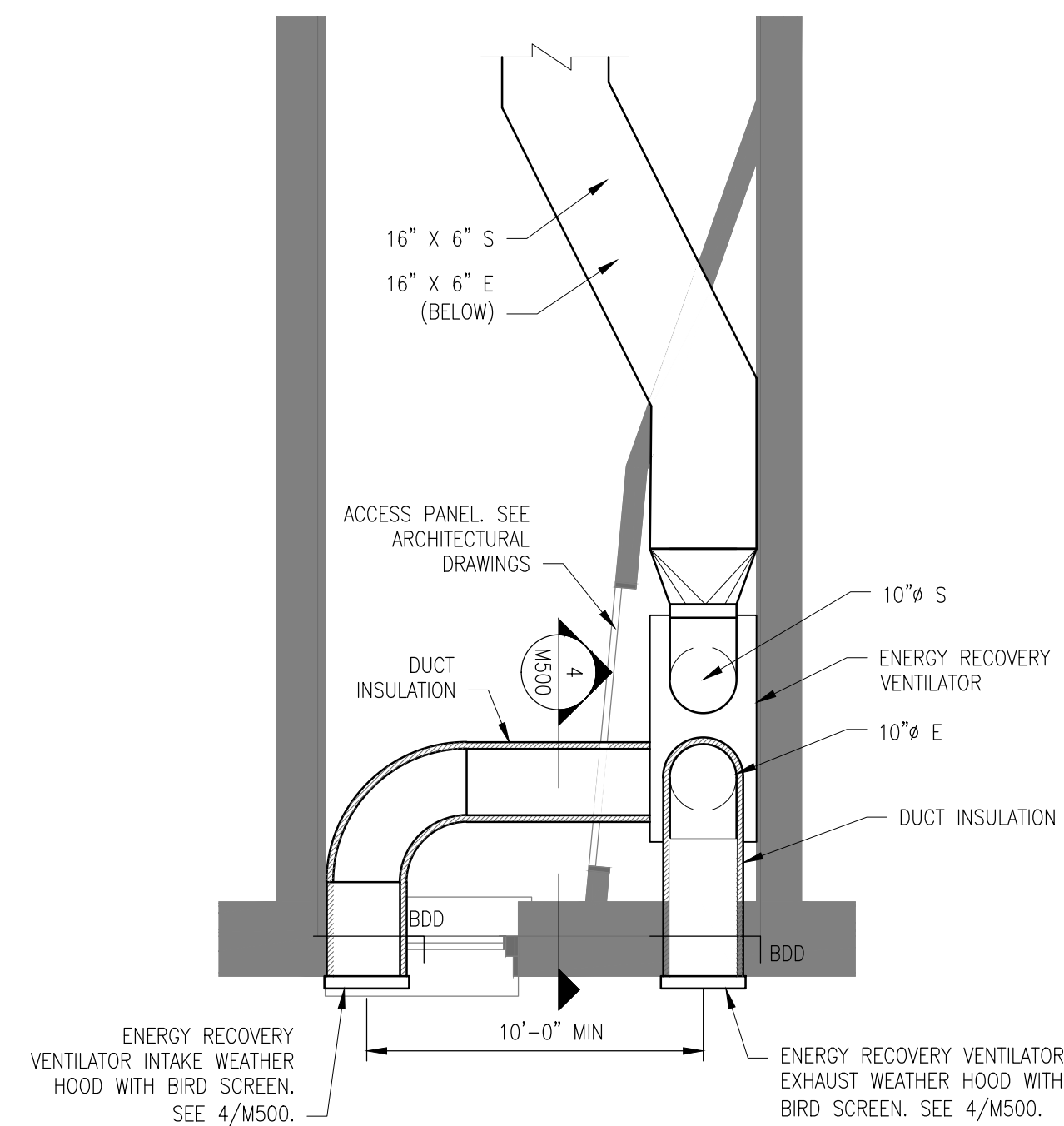
7 ROUND DIFFUSER DETAIL  
M501 NOT TO SCALE



4 TYPICAL INTAKE/EXHAUST HOOD DETAIL  
M501 SCALE: N.T.S.

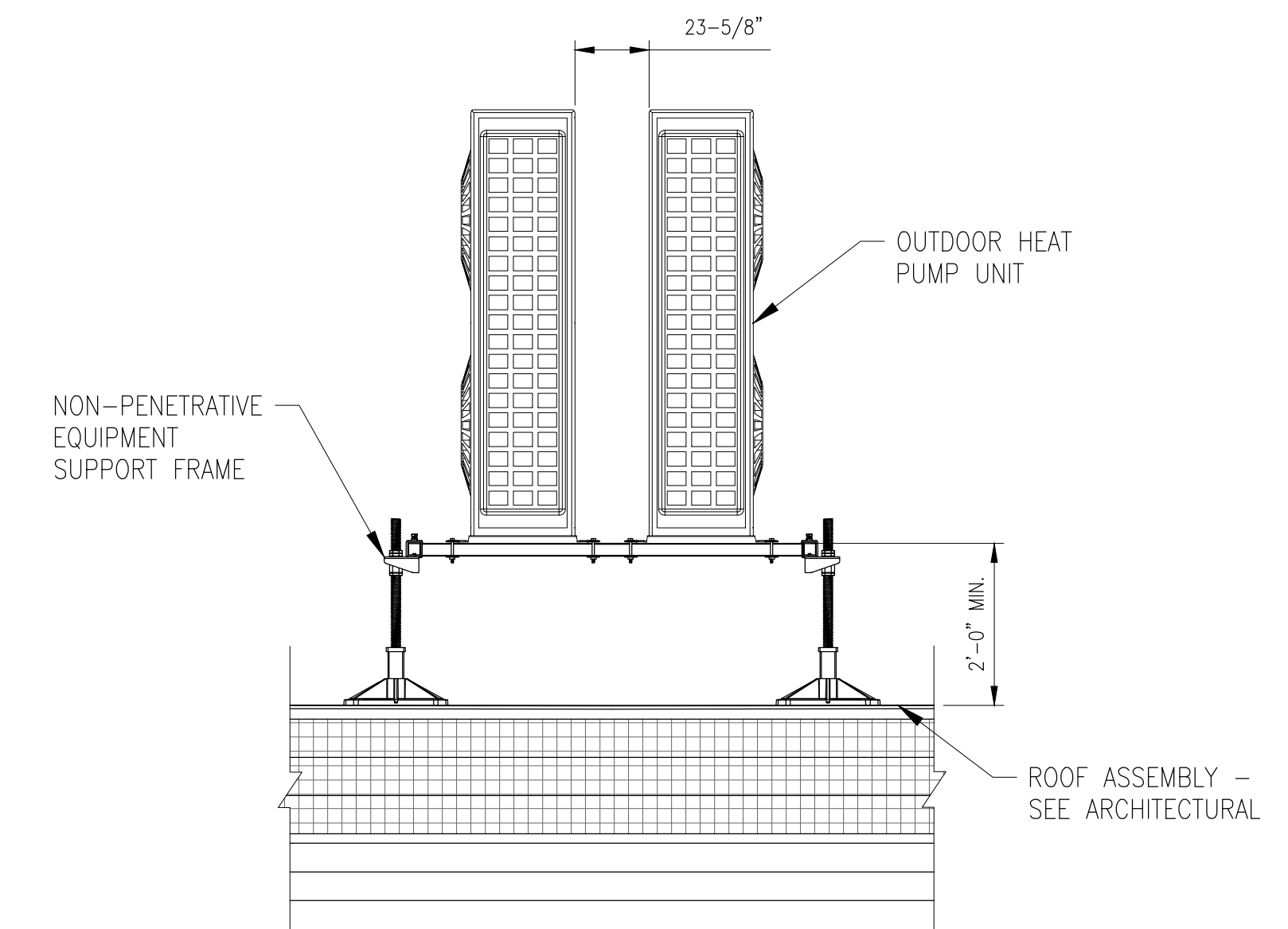


5 PIPING THRU ROOF DETAIL  
M501 SCALE: N.T.S.



8 ENLARGED UPPER LEVEL PLAN @ ERV  
M501 SCALE: 1/2" = 1'-0"

NOTE:  
1. DETAIL REFLECTS SECOND AND FOURTH FLOOR CONDITIONS. DUCTWORK IS REVERSED ON THIRD FLOOR.



9 CONDENSING UNIT SUPPORT DETAIL  
M501 SCALE: N.T.S.