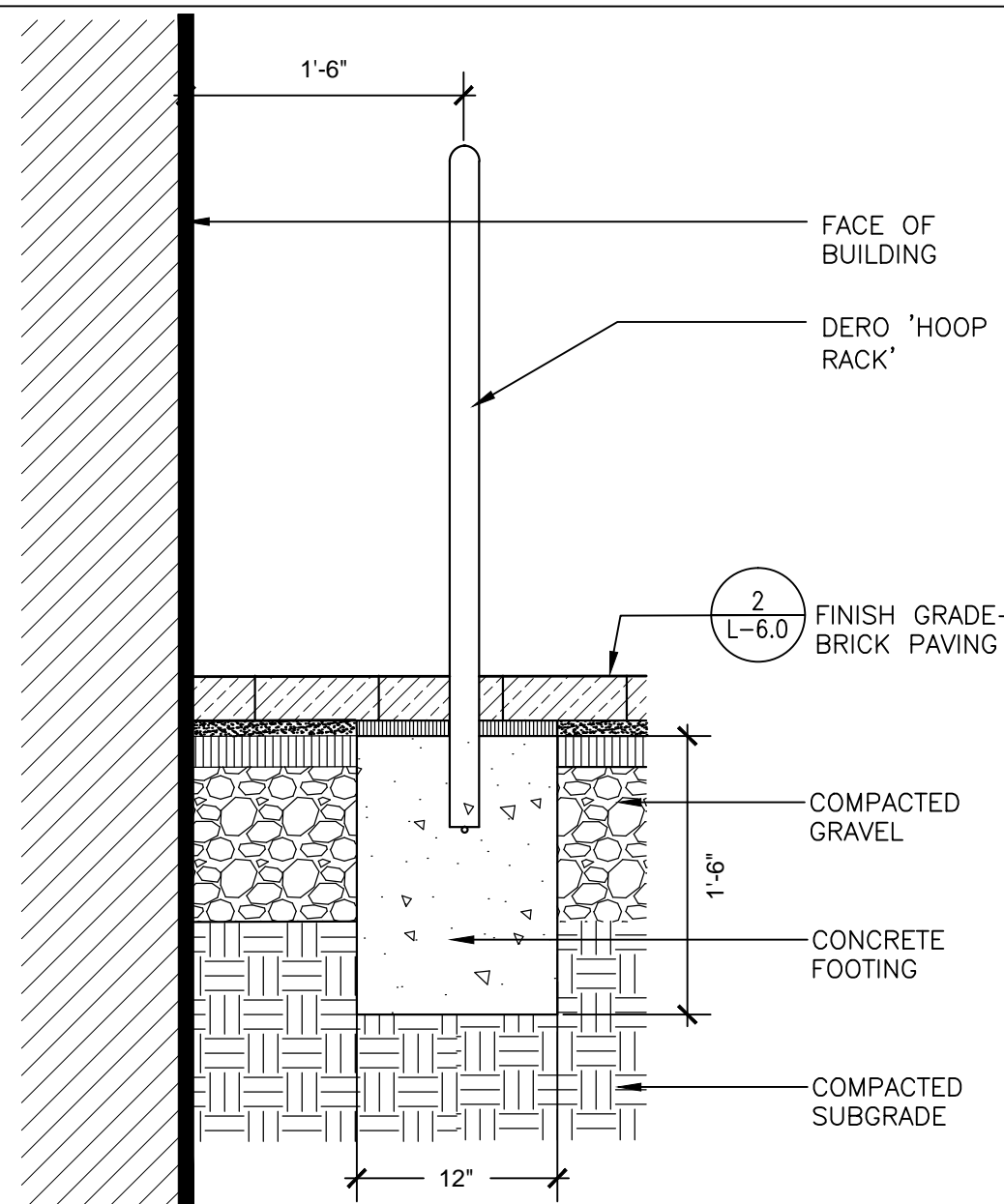
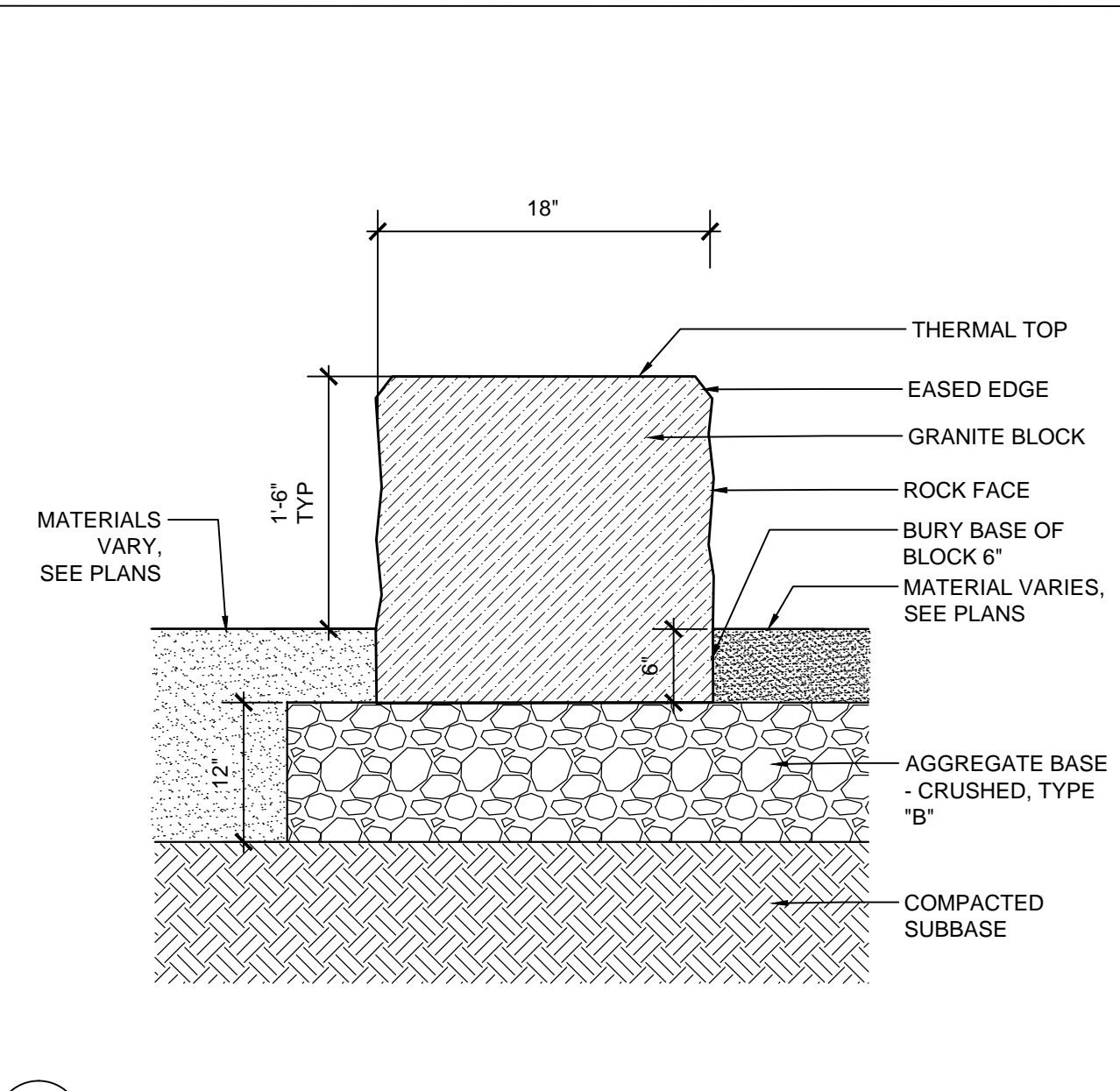


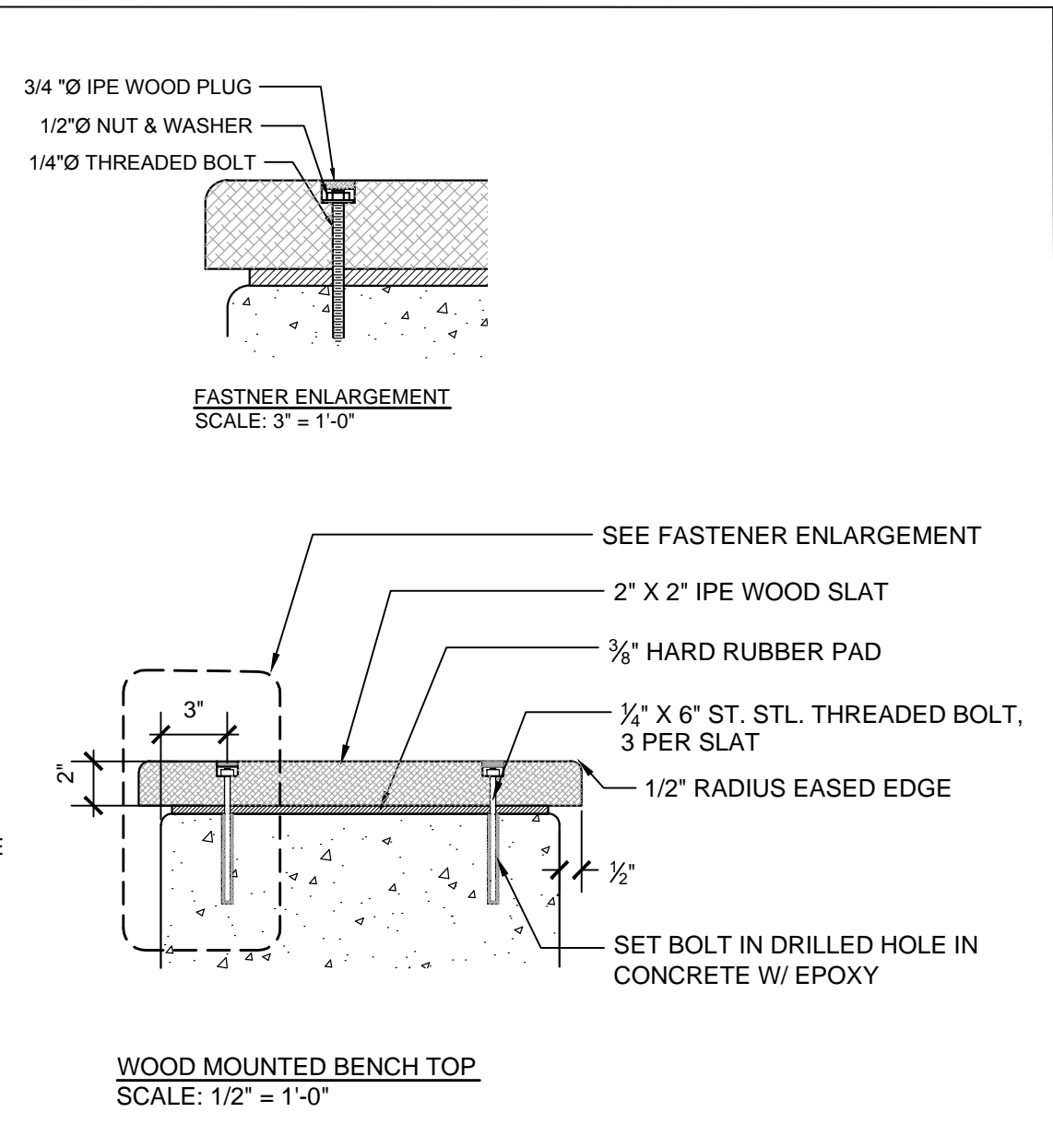
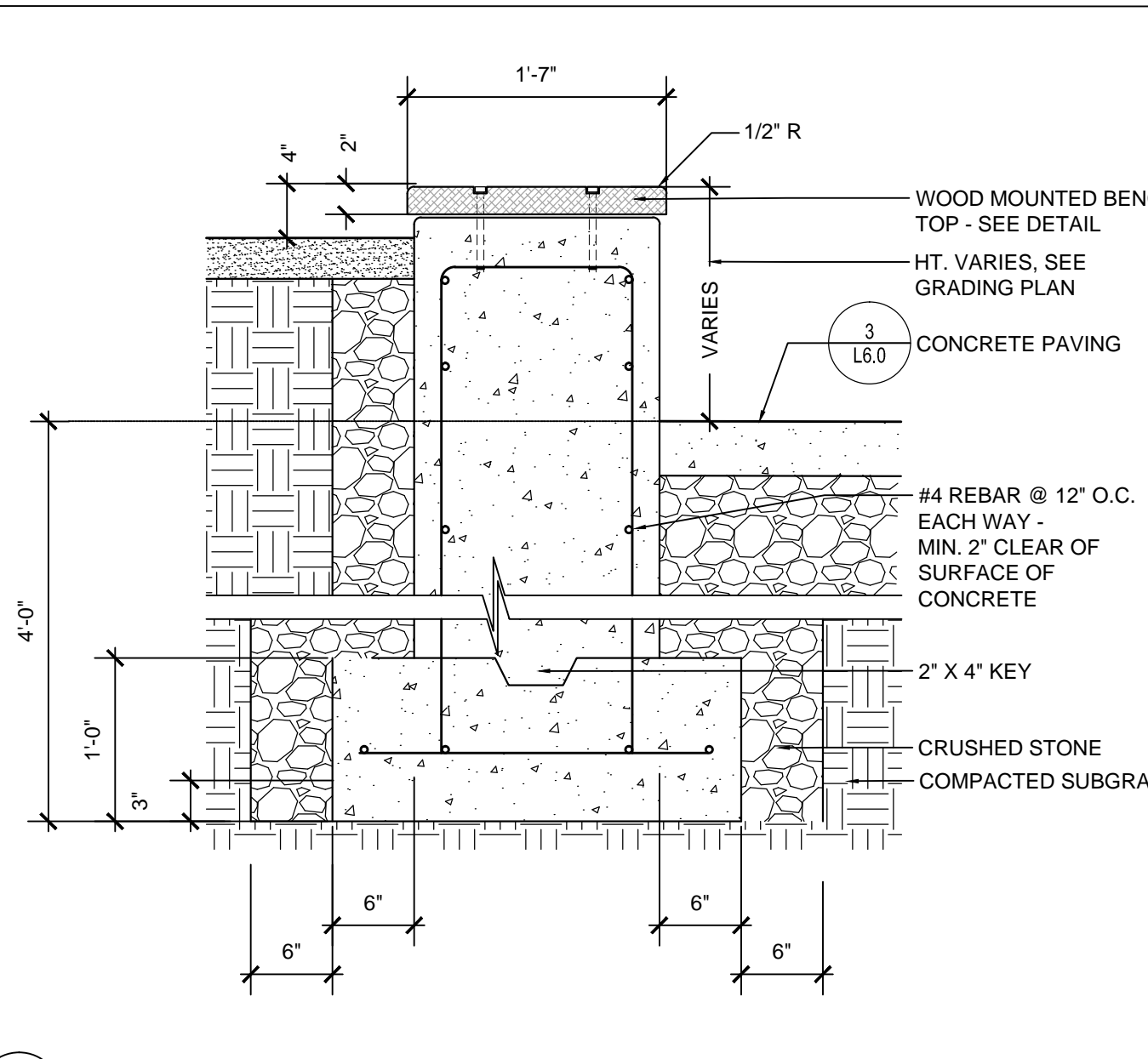
1 BIKE RACK  
SCALE: 1"=1'-0"



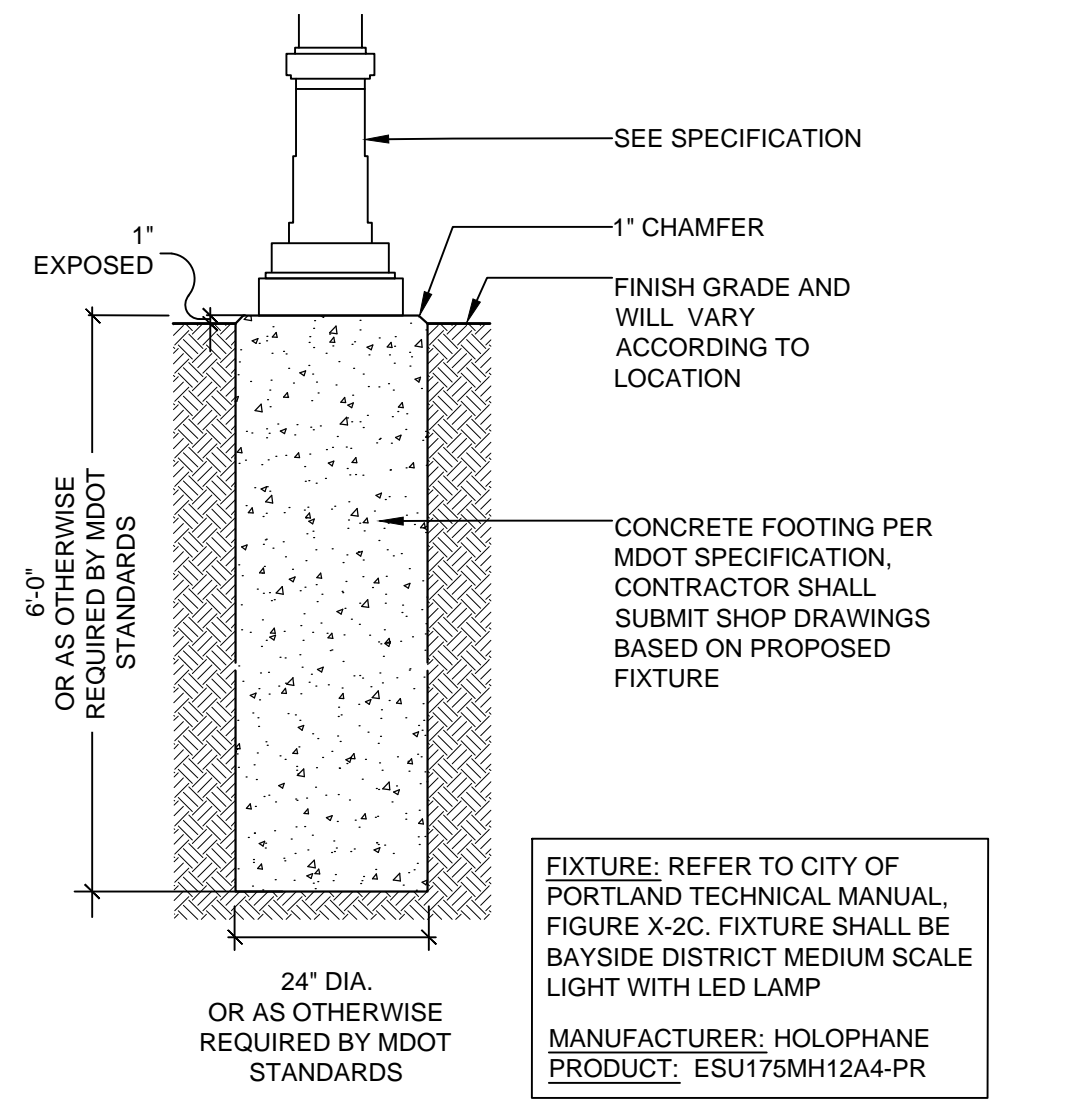
2 BENCH  
SCALE: 3/4"=1'-0"



3 SEATWALL WITH WOOD BENCH TOP  
SCALE: 1"=1'-0"

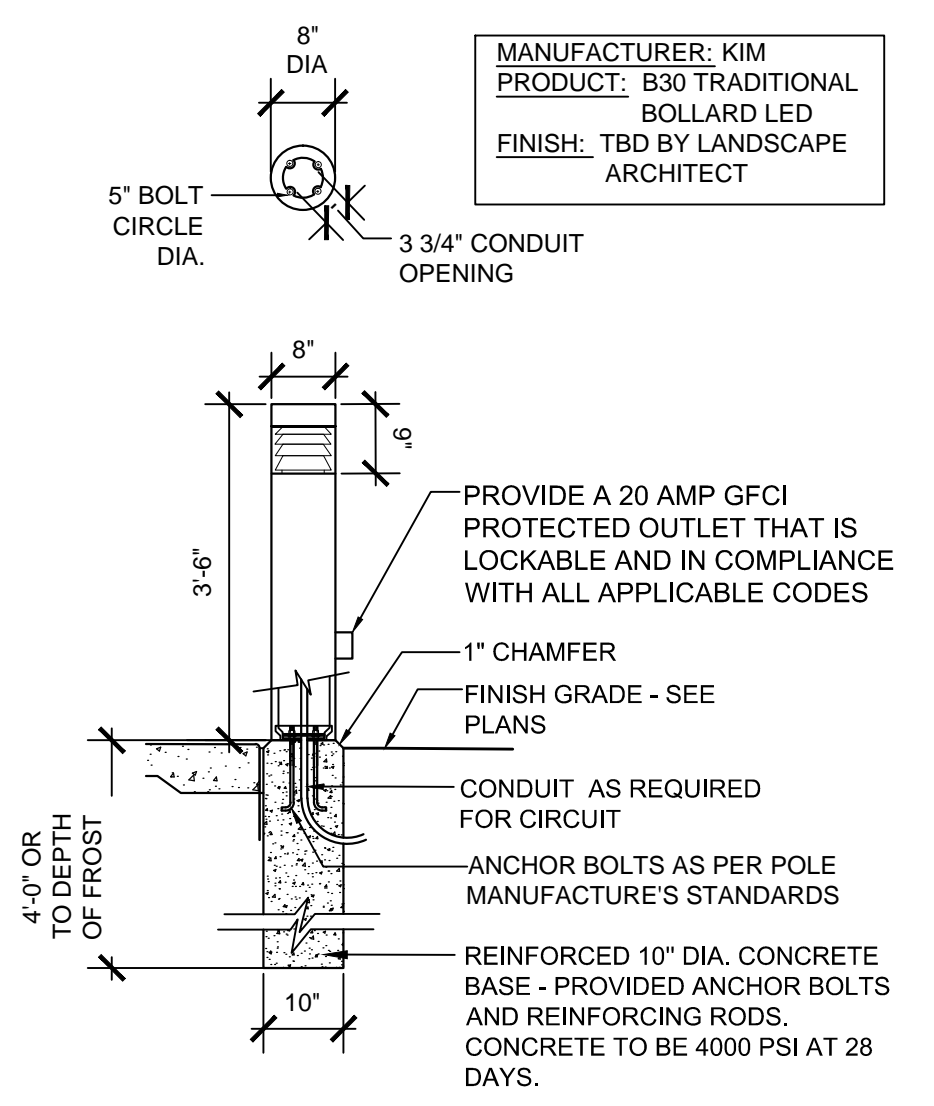


WOOD MOUNTED BENCH TOP  
SCALE: 1/2" = 1'-0"



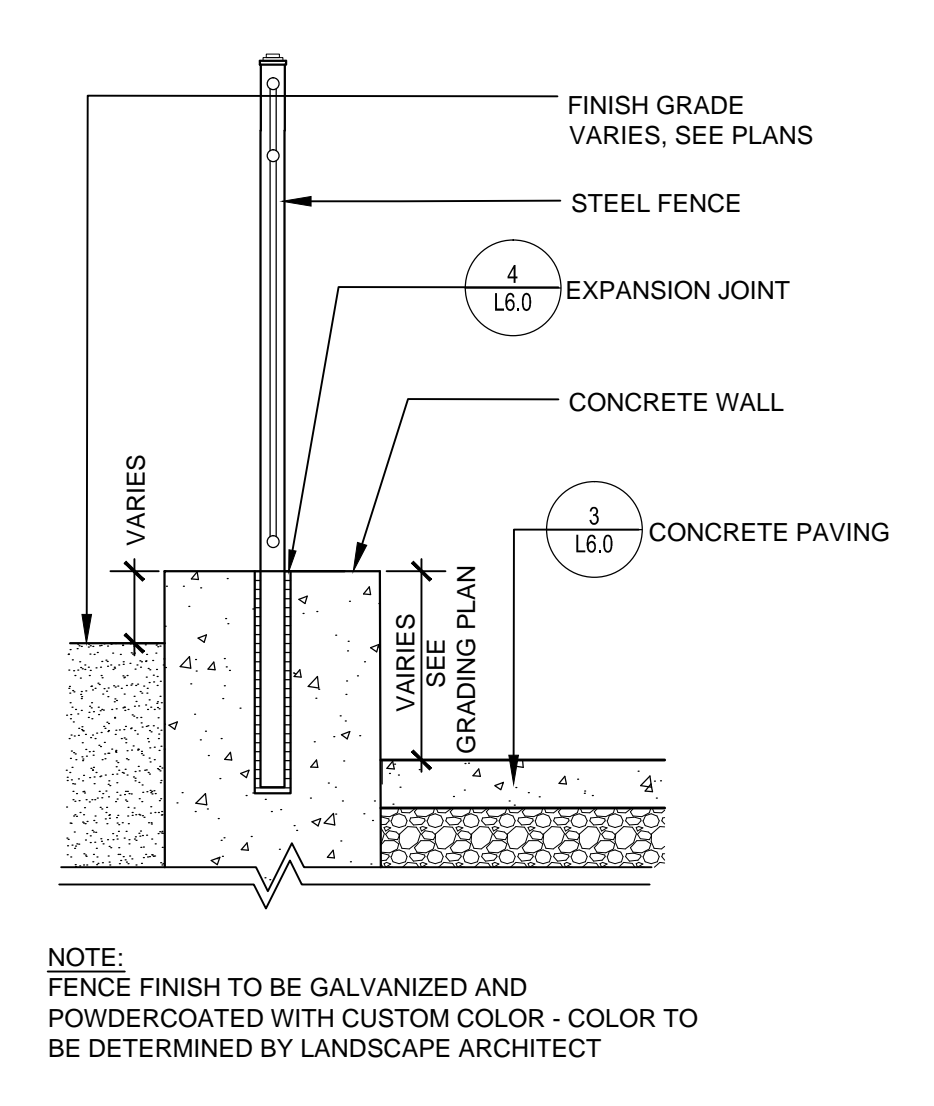
POLE LIGHT (STREET)

4 LIGHT POLE INSTALLATION  
SCALE: 1/2"=1'-0"



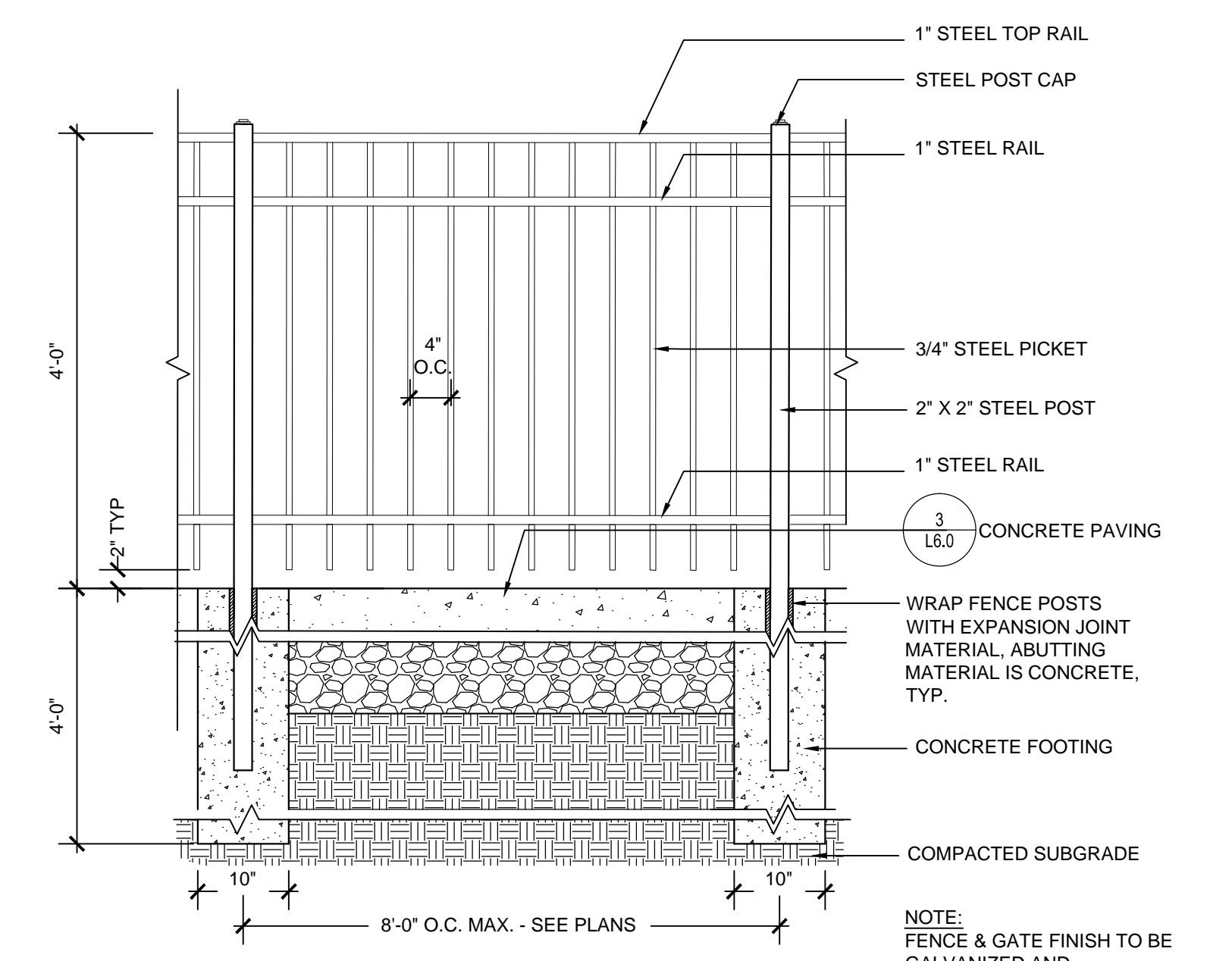
BOLLARD LIGHT (PLAZA)

5 BOLLARD LIGHT (PLAZA)  
SCALE: 1/2"=1'-0"

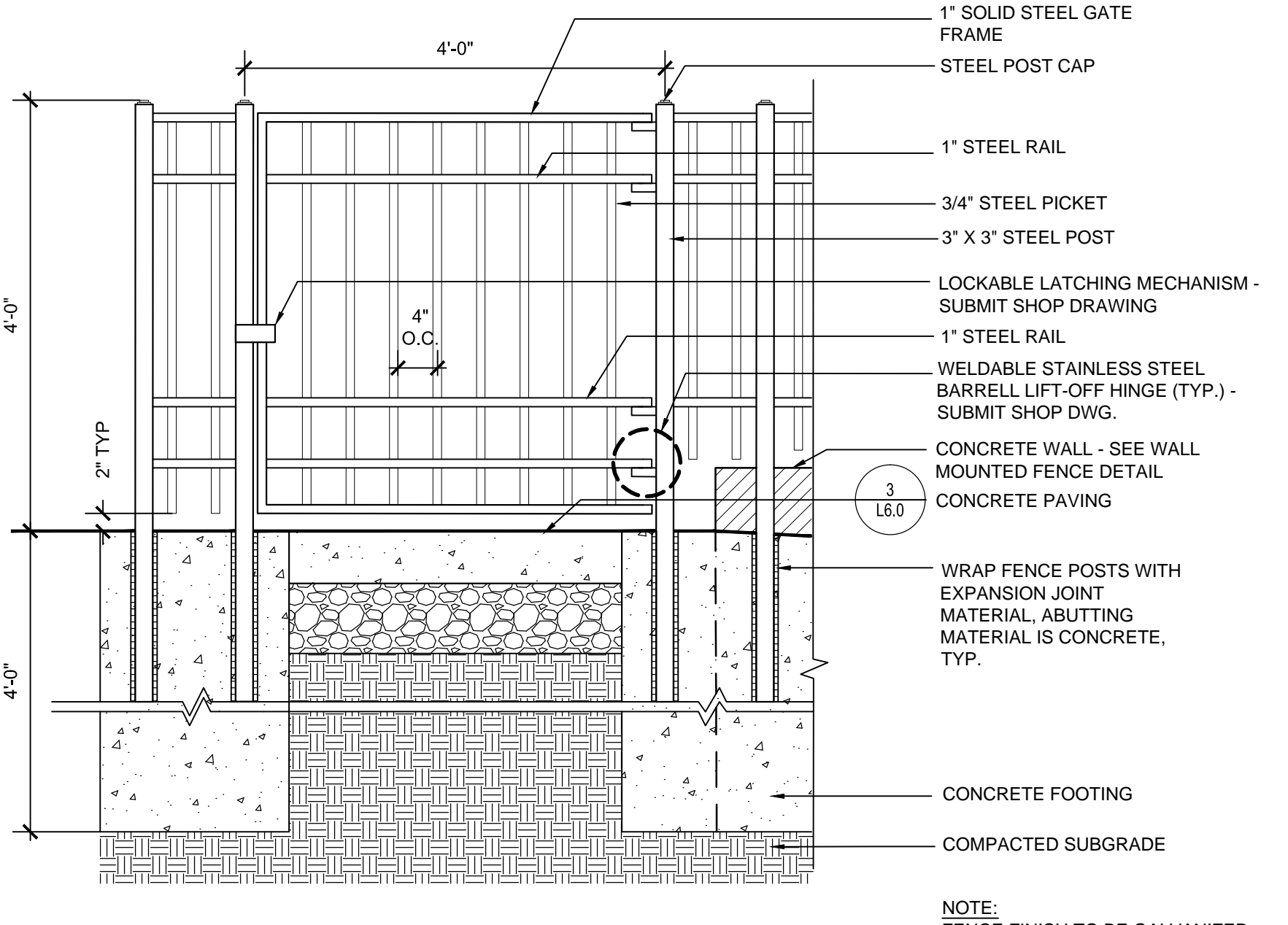


WALL MOUNTED FENCE

5 STEEL FENCE  
SCALE: 3/4"=1'-0"

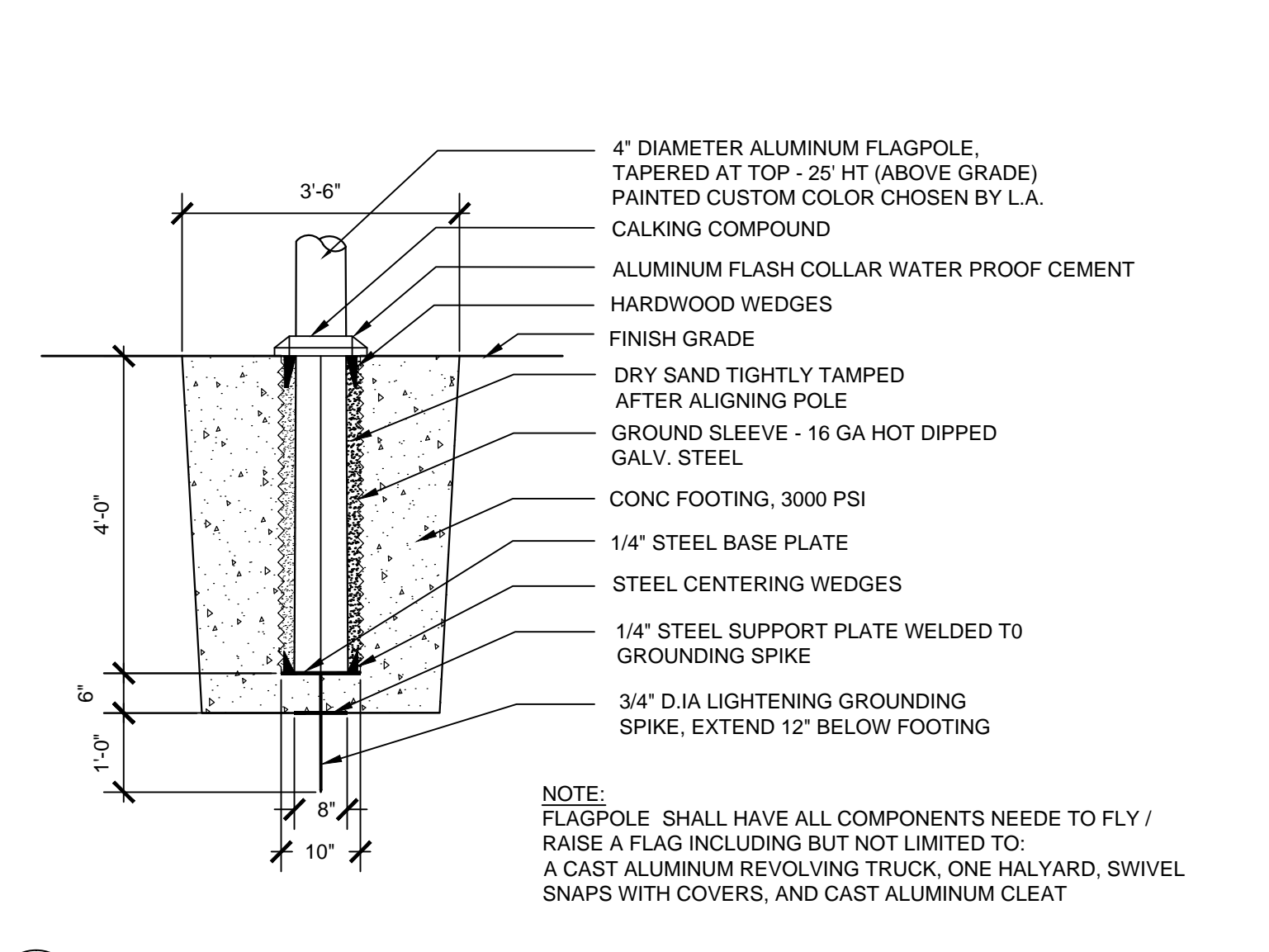


TYP. SECTION ELEVATION

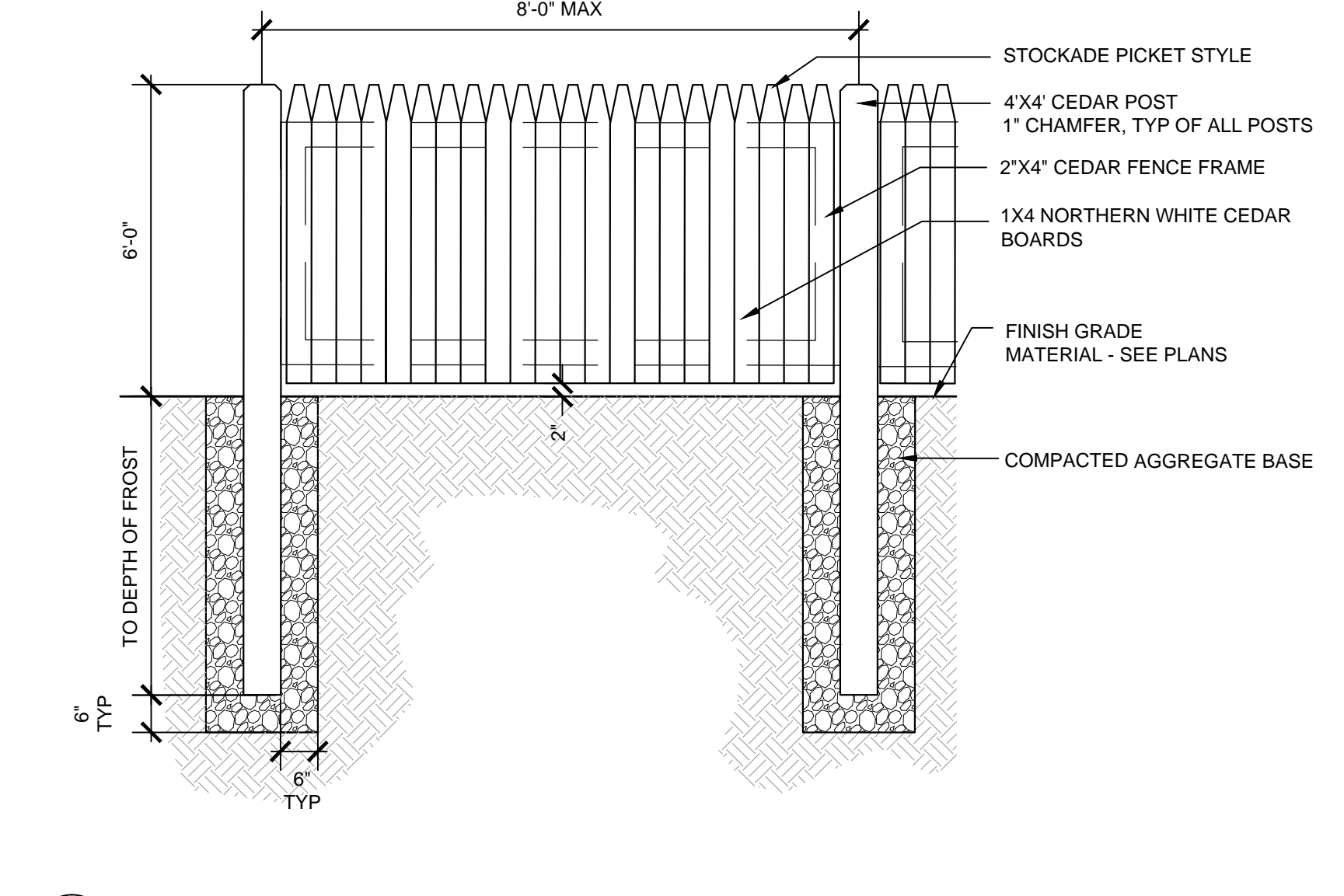


GATE SECTION ELEVATION

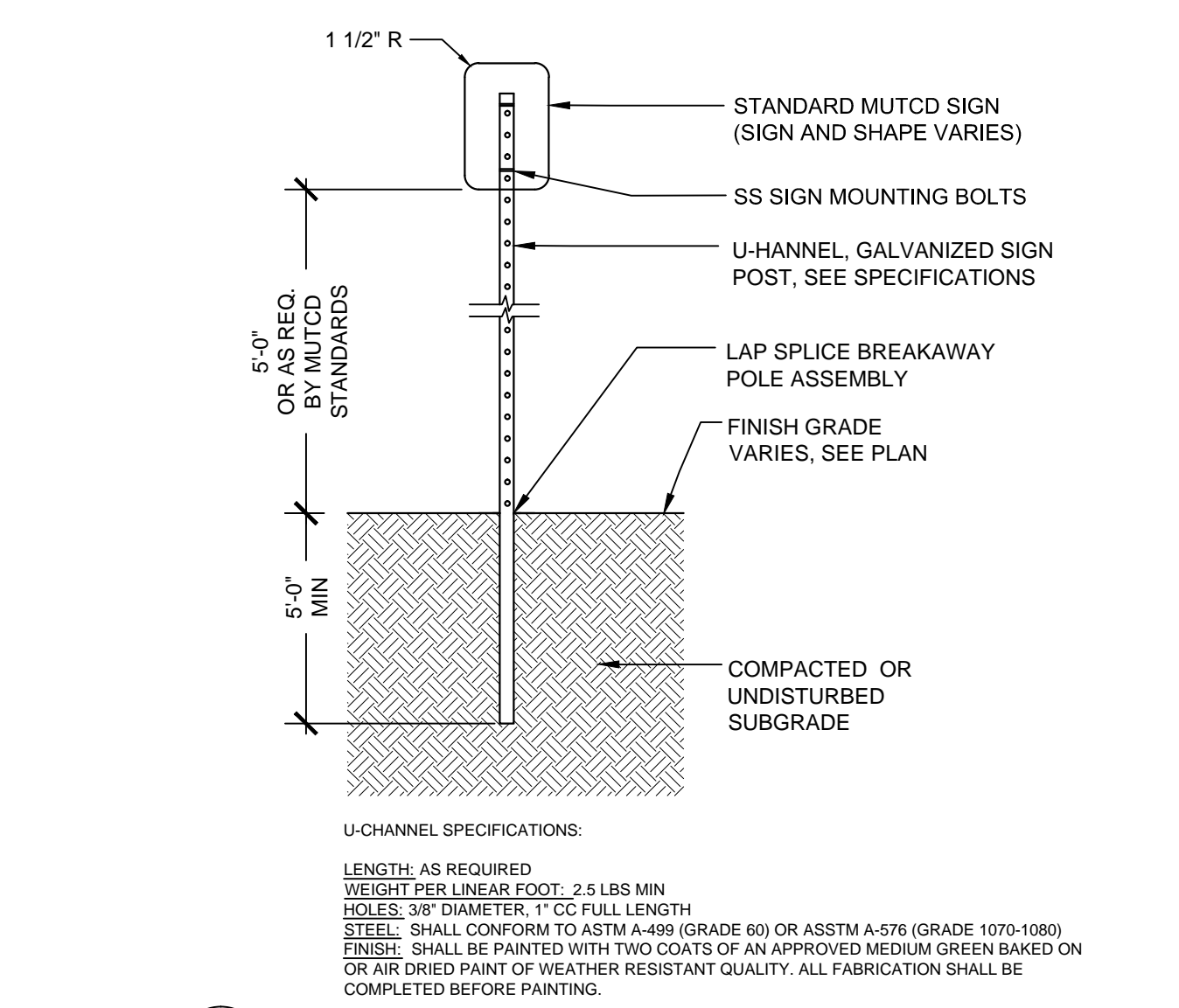
6 GATE SECTION ELEVATION  
SCALE: 1/2"=1'-0"



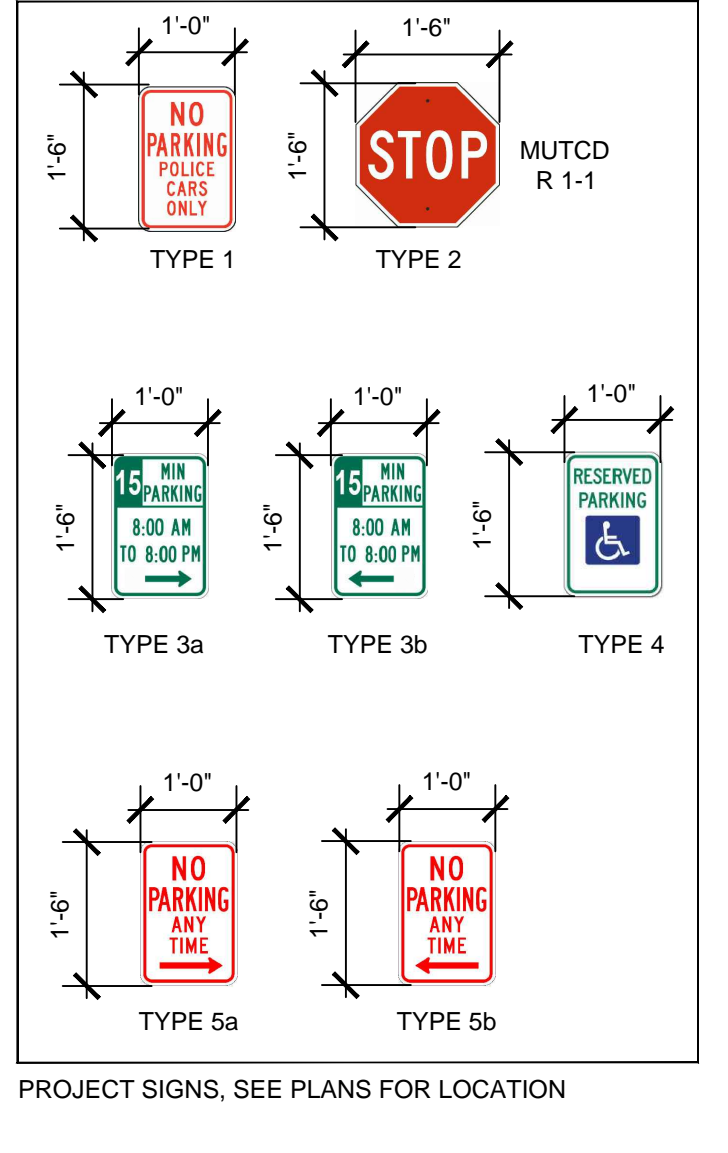
6 FLAG POLE - ADD ALT 1  
SCALE: 1/2"=1'-0"



7 WOOD STOKADE FENCE  
SCALE: 1"=1'-0"



8 MUTCD SIGN  
SCALE: 1"=1'-0"



PROJECT SIGNS, SEE PLANS FOR LOCATION