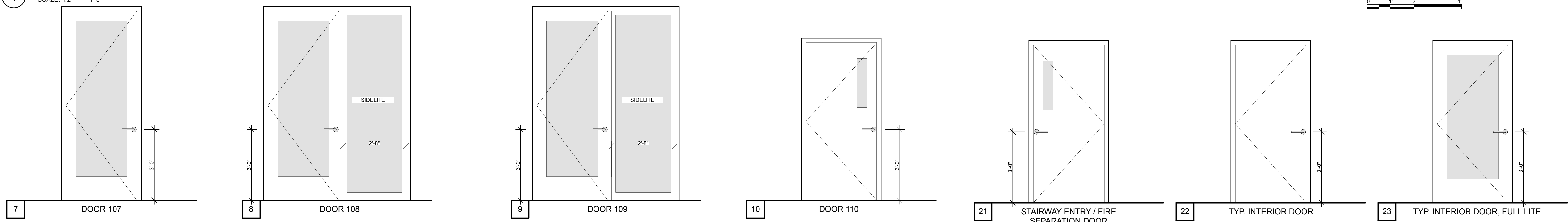
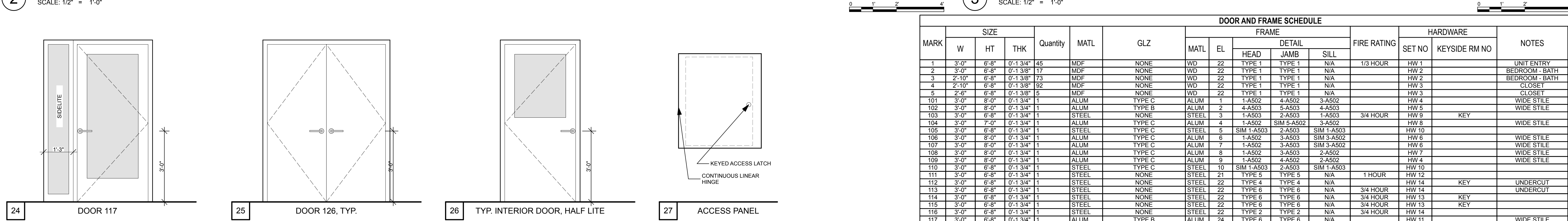


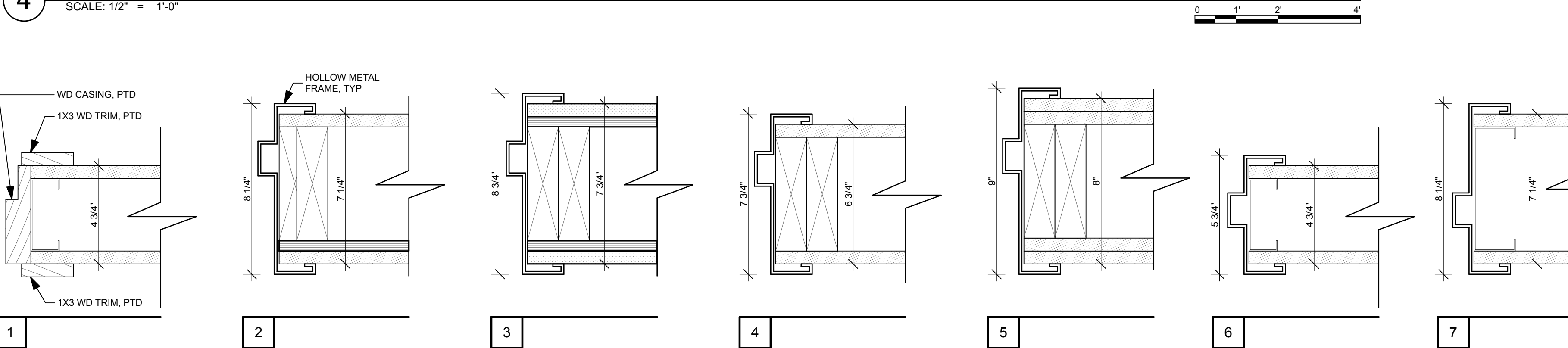
**1 EXTERIOR DOOR ELEVATIONS**  
SCALE: 1/2" = 1'-0"



**2 EXTERIOR DOOR ELEVATIONS**  
SCALE: 1/2" = 1'-0"



**4 INTERIOR DOOR ELEVATIONS**  
SCALE: 1/2" = 1'-0"



**5 INTERIOR DOOR FRAME DETAILS**  
SCALE: 3" = 1'-0"

| MARK | SIZE   |       |           | Quantity | MATL  | GLZ    | FRAME |    |            | FIRE RATING | HARDWARE   |            | NOTES  | FOB ACCESS          |               |      |
|------|--------|-------|-----------|----------|-------|--------|-------|----|------------|-------------|------------|------------|--------|---------------------|---------------|------|
|      | W      | HT    | THK       |          |       |        | MATL  | EL | DETAIL     |             |            | SET NO     |        |                     | KEYSIDE RM NO |      |
|      |        |       |           |          |       |        |       |    | HEAD       |             | JAMB       |            |        |                     |               | SILL |
| 1    | 3'-0"  | 6'-8" | 0'-1 3/4" | 45       | MDF   | NONE   | WD    | 22 | TYPE 1     | TYPE 1      | N/A        | 1/3 HOUR   | HW 1   | UNIT ENTRY          | YES           |      |
| 2    | 3'-0"  | 6'-8" | 0'-1 3/8" | 17       | MDF   | NONE   | WD    | 22 | TYPE 1     | TYPE 1      | N/A        | 1/3 HOUR   | HW 2   | BEDROOM - BATH      | NO            |      |
| 3    | 2'-10" | 6'-8" | 0'-1 3/8" | 73       | MDF   | NONE   | WD    | 22 | TYPE 1     | TYPE 1      | N/A        | 1/3 HOUR   | HW 2   | BEDROOM - BATH      | NO            |      |
| 4    | 2'-10" | 6'-8" | 0'-1 3/8" | 92       | MDF   | NONE   | WD    | 22 | TYPE 1     | TYPE 1      | N/A        | 1/3 HOUR   | HW 3   | CLOSET              | NO            |      |
| 5    | 2'-6"  | 6'-8" | 0'-1 3/8" | 5        | MDF   | NONE   | WD    | 22 | TYPE 1     | TYPE 1      | N/A        | 1/3 HOUR   | HW 3   | CLOSET              | NO            |      |
| 101  | 3'-0"  | 8'-0" | 0'-1 3/4" | 1        | ALUM  | TYPE C | ALUM  | 1  | 1-A502     | 4-A502      | 3-A502     | 3/4 HOUR   | HW 4   | WIDE STILE          | NO            |      |
| 102  | 3'-0"  | 8'-0" | 0'-1 3/4" | 1        | ALUM  | TYPE B | ALUM  | 2  | 4-A503     | 5-A503      | 4-A503     | 3/4 HOUR   | HW 5   | WIDE STILE          | YES           |      |
| 103  | 3'-0"  | 6'-8" | 0'-1 3/4" | 1        | STEEL | NONE   | STEEL | 3  | 1-A503     | 2-A503      | 1-A503     | 3/4 HOUR   | HW 9   | KEY                 | NO            |      |
| 104  | 3'-0"  | 7'-0" | 0'-1 3/4" | 1        | ALUM  | TYPE C | ALUM  | 4  | 1-A502     | SIM 5-A502  | 3-A502     | 3/4 HOUR   | HW 8   | WIDE STILE          | YES           |      |
| 105  | 3'-0"  | 6'-8" | 0'-1 3/4" | 1        | STEEL | TYPE C | STEEL | 5  | SIM 1-A503 | 2-A503      | SIM 1-A503 | 3/4 HOUR   | HW 10  | WIDE STILE          | NO            |      |
| 106  | 3'-0"  | 8'-0" | 0'-1 3/4" | 1        | ALUM  | TYPE C | ALUM  | 6  | 1-A502     | 3-A503      | SIM 3-A502 | 3/4 HOUR   | HW 6   | WIDE STILE          | YES           |      |
| 107  | 3'-0"  | 8'-0" | 0'-1 3/4" | 1        | ALUM  | TYPE C | ALUM  | 7  | 1-A502     | 3-A503      | SIM 3-A502 | 3/4 HOUR   | HW 6   | WIDE STILE          | YES           |      |
| 108  | 3'-0"  | 8'-0" | 0'-1 3/4" | 1        | ALUM  | TYPE C | ALUM  | 8  | 1-A502     | 3-A503      | 2-A502     | 3/4 HOUR   | HW 7   | WIDE STILE          | NO            |      |
| 109  | 3'-0"  | 8'-0" | 0'-1 3/4" | 1        | ALUM  | TYPE C | ALUM  | 9  | 1-A502     | 4-A502      | 2-A502     | 3/4 HOUR   | HW 4   | WIDE STILE          | NO            |      |
| 110  | 3'-0"  | 6'-8" | 0'-1 3/4" | 1        | STEEL | TYPE C | STEEL | 10 | SIM 1-A503 | 2-A503      | SIM 1-A503 | 3/4 HOUR   | HW 10  | WIDE STILE          | NO            |      |
| 111  | 3'-0"  | 6'-8" | 0'-1 3/4" | 1        | STEEL | NONE   | STEEL | 21 | TYPE 5     | TYPE 5      | N/A        | 1 HOUR     | HW 12  | UNDERCUT            | NO            |      |
| 112  | 3'-0"  | 6'-8" | 0'-1 3/4" | 1        | STEEL | NONE   | STEEL | 22 | TYPE 4     | TYPE 4      | N/A        | 3/4 HOUR   | HW 14  | KEY                 | UNDERCUT      | NO   |
| 113  | 3'-0"  | 6'-8" | 0'-1 3/4" | 1        | STEEL | NONE   | STEEL | 22 | TYPE 6     | TYPE 6      | N/A        | 3/4 HOUR   | HW 14  | KEY                 | UNDERCUT      | YES  |
| 114  | 3'-0"  | 6'-8" | 0'-1 3/4" | 1        | STEEL | NONE   | STEEL | 22 | TYPE 6     | TYPE 6      | N/A        | 3/4 HOUR   | HW 13  | KEY                 | UNDERCUT      | NO   |
| 115  | 3'-0"  | 6'-8" | 0'-1 3/4" | 1        | STEEL | NONE   | STEEL | 22 | TYPE 6     | TYPE 6      | N/A        | 3/4 HOUR   | HW 13  | KEY                 | UNDERCUT      | NO   |
| 116  | 3'-0"  | 6'-8" | 0'-1 3/4" | 1        | STEEL | NONE   | STEEL | 22 | TYPE 2     | TYPE 2      | N/A        | 3/4 HOUR   | HW 14  | KEY                 | UNDERCUT      | YES  |
| 117  | 3'-0"  | 6'-8" | 0'-1 3/4" | 1        | ALUM  | TYPE B | ALUM  | 24 | TYPE 6     | TYPE 6      | N/A        | 3/4 HOUR   | HW 11  | WIDE STILE          | YES           |      |
| 118  | 3'-0"  | 6'-8" | 0'-1 3/4" | 1        | MDF   | TYPE A | STEEL | 26 | TYPE 2     | TYPE 2      | N/A        | 3/4 HOUR   | HW 16  | UNDERCUT            | NO            |      |
| 119  | 3'-0"  | 6'-8" | 0'-1 3/4" | 1        | MDF   | TYPE A | STEEL | 26 | TYPE 4     | TYPE 4      | N/A        | 3/4 HOUR   | HW 11  | UNDERCUT            | YES           |      |
| 120  | 3'-0"  | 6'-8" | 0'-1 3/4" | 1        | MDF   | TYPE A | STEEL | 26 | TYPE 4     | TYPE 4      | N/A        | 3/4 HOUR   | HW 11  | UNDERCUT            | YES           |      |
| 121  | 3'-0"  | 6'-8" | 0'-1 3/4" | 1        | MDF   | TYPE A | STEEL | 26 | TYPE 7     | TYPE 7      | N/A        | 3/4 HOUR   | HW 18  | UNDERCUT            | NO            |      |
| 122  | 3'-0"  | 6'-8" | 0'-1 3/4" | 1        | MDF   | NONE   | STEEL | 22 | TYPE 4     | TYPE 4      | N/A        | 3/4 HOUR   | HW 17  | UNDERCUT            | NO            |      |
| 123  | 3'-0"  | 6'-8" | 0'-1 3/4" | 1        | MDF   | NONE   | STEEL | 22 | TYPE 4     | TYPE 4      | N/A        | 3/4 HOUR   | HW 17  | UNDERCUT            | NO            |      |
| 124  | 3'-0"  | 6'-8" | 0'-1 3/4" | 1        | STEEL | NONE   | STEEL | 21 | TYPE 2     | TYPE 2      | N/A        | 3/4 HOUR   | HW 11  | 100 SQ. IN. OR LESS | YES           |      |
| 125  | 3'-0"  | 6'-8" | 0'-1 3/4" | 1        | STEEL | NONE   | STEEL | 21 | TYPE 6     | TYPE 6      | N/A        | 3/4 HOUR   | HW 11  | 100 SQ. IN. OR LESS | YES           |      |
| 126  | 5'-0"  | 6'-8" | 0'-1 3/4" | 1        | STEEL | NONE   | STEEL | 25 | TYPE 4     | TYPE 4      | N/A        | 3/4 HOUR   | HW 23  | KEY                 | UNDERCUT      | NO   |
| 201  | 3'-0"  | 6'-8" | 0'-1 3/4" | 1        | STEEL | NONE   | STEEL | 22 | TYPE 6     | TYPE 6      | N/A        | 3/4 HOUR   | HW 15  | KEY                 | UNDERCUT      | NO   |
| 202  | 3'-0"  | 6'-8" | 0'-1 3/4" | 1        | STEEL | NONE   | STEEL | 21 | TYPE 5     | TYPE 5      | N/A        | 1-1/2 HOUR | HW 12  | KEY                 | UNDERCUT      | NO   |
| 203  | 3'-0"  | 6'-8" | 0'-1 3/4" | 1        | STEEL | NONE   | STEEL | 22 | TYPE 6     | TYPE 6      | N/A        | 1-1/2 HOUR | HW 14  | KEY                 | UNDERCUT      | NO   |
| 204  | 3'-0"  | 6'-8" | 0'-1 3/4" | 1        | STEEL | NONE   | STEEL | 21 | TYPE 5     | TYPE 5      | N/A        | 1-1/2 HOUR | HW 12  | KEY                 | UNDERCUT      | NO   |
| 205  | 2'-6"  | 6'-8" | 0'-1 3/4" | 1        | STEEL | NONE   | STEEL | 22 | TYPE 2     | TYPE 2      | N/A        | 1/3 HOUR   | HW 14A | KEY                 | UNDERCUT      | NO   |
| 206  | 3'-6"  | 4'-0" | 0'-1"     | 1        | PLYWD | NONE   | STEEL | 27 | N/A        | N/A         | N/A        | 1/3 HOUR   | HW 12  | ACCESS DOOR         | NO            |      |
| 207  | 3'-6"  | 4'-0" | 0'-1"     | 1        | PLYWD | NONE   | STEEL | 27 | N/A        | N/A         | N/A        | 1/3 HOUR   | HW 15  | ACCESS DOOR         | NO            |      |
| 301  | 3'-0"  | 6'-8" | 0'-1 3/4" | 1        | STEEL | NONE   | STEEL | 22 | TYPE 6     | TYPE 6      | N/A        | 3/4 HOUR   | HW 15  | KEY                 | UNDERCUT      | NO   |
| 302  | 3'-0"  | 6'-8" | 0'-1 3/4" | 1        | STEEL | NONE   | STEEL | 21 | TYPE 5     | TYPE 5      | N/A        | 1-1/2 HOUR | HW 12  | KEY                 | UNDERCUT      | NO   |
| 303  | 3'-0"  | 6'-8" | 0'-1 3/4" | 1        | STEEL | NONE   | STEEL | 22 | TYPE 6     | TYPE 6      | N/A        | 1-1/2 HOUR | HW 14  | KEY                 | UNDERCUT      | NO   |
| 304  | 3'-0"  | 6'-8" | 0'-1 3/4" | 1        | STEEL | NONE   | STEEL | 21 | TYPE 5     | TYPE 5      | N/A        | 1-1/2 HOUR | HW 12  | KEY                 | UNDERCUT      | NO   |
| 305  | 2'-6"  | 6'-8" | 0'-1 3/4" | 1        | STEEL | NONE   | STEEL | 22 | TYPE 2     | TYPE 2      | N/A        | 1/3 HOUR   | HW 14A | KEY                 | UNDERCUT      | NO   |
| 306  | 3'-6"  | 4'-0" | 0'-1"     | 1        | PLYWD | NONE   | STEEL | 27 | N/A        | N/A         | N/A        | 1/3 HOUR   | HW 12  | ACCESS DOOR         | NO            |      |
| 307  | 3'-6"  | 4'-0" | 0'-1"     | 1        | PLYWD | NONE   | STEEL | 27 | N/A        | N/A         | N/A        | 1/3 HOUR   | HW 15  | ACCESS DOOR         | NO            |      |
| 401  | 3'-0"  | 6'-8" | 0'-1 3/4" | 1        | STEEL | NONE   | STEEL | 22 | TYPE 6     | TYPE 6      | N/A        | 3/4 HOUR   | HW 15  | KEY                 | UNDERCUT      | NO   |
| 402  | 3'-0"  | 6'-8" | 0'-1 3/4" | 1        | STEEL | NONE   | STEEL | 21 | TYPE 5     | TYPE 5      | N/A        | 1-1/2 HOUR | HW 12  | KEY                 | UNDERCUT      | NO   |
| 403  | 3'-0"  | 6'-8" | 0'-1 3/4" | 1        | STEEL | NONE   | STEEL | 22 | TYPE 6     | TYPE 6      | N/A        | 1-1/2 HOUR | HW 14  | KEY                 | UNDERCUT      | NO   |
| 404  | 3'-0"  | 6'-8" | 0'-1 3/4" | 1        | STEEL | NONE   | STEEL | 21 | TYPE 5     | TYPE 5      | N/A        | 1-1/2 HOUR | HW 12  | KEY                 | UNDERCUT      | NO   |
| 405  | 2'-6"  | 6'-8" | 0'-1 3/4" | 1        | STEEL | NONE   | STEEL | 22 | TYPE 2     | TYPE 2      | N/A        | 1/3 HOUR   | HW 14A | KEY                 | UNDERCUT      | NO   |
| 406  | 3'-6"  | 4'-0" | 0'-1"     | 1        | PLYWD | NONE   | STEEL | 27 | N/A        | N/A         | N/A        | 1/3 HOUR   | HW 12  | ACCESS DOOR         | NO            |      |
| 407  | 3'-6"  | 4'-0" | 0'-1"     | 1        | PLYWD | NONE   | STEEL | 27 | N/A        | N/A         | N/A        | 1/3 HOUR   | HW 15  | ACCESS DOOR         | NO            |      |

| GLAZING SCHEDULE |   |
|------------------|---|
| A                | CLEAR, SINGLE PANE  |
| B                | TEMPERED, SINGLE PANE   |
| C                | LOW-E, ARGON FILLED, CARDINAL 272-CLEAR, DOUBLE PANE, 0.25 C.O.G. U-VALUE MAX, 0.41 SHGC C.O.G. MIN     |
| D                | LOW-E, ARGON FILLED, CARDINAL 272-CLEAR-180, TRIPLE PANE, 0.15 U-VALUE C.O.G. MAX, 0.36 SHGC C.O.G. MIN |