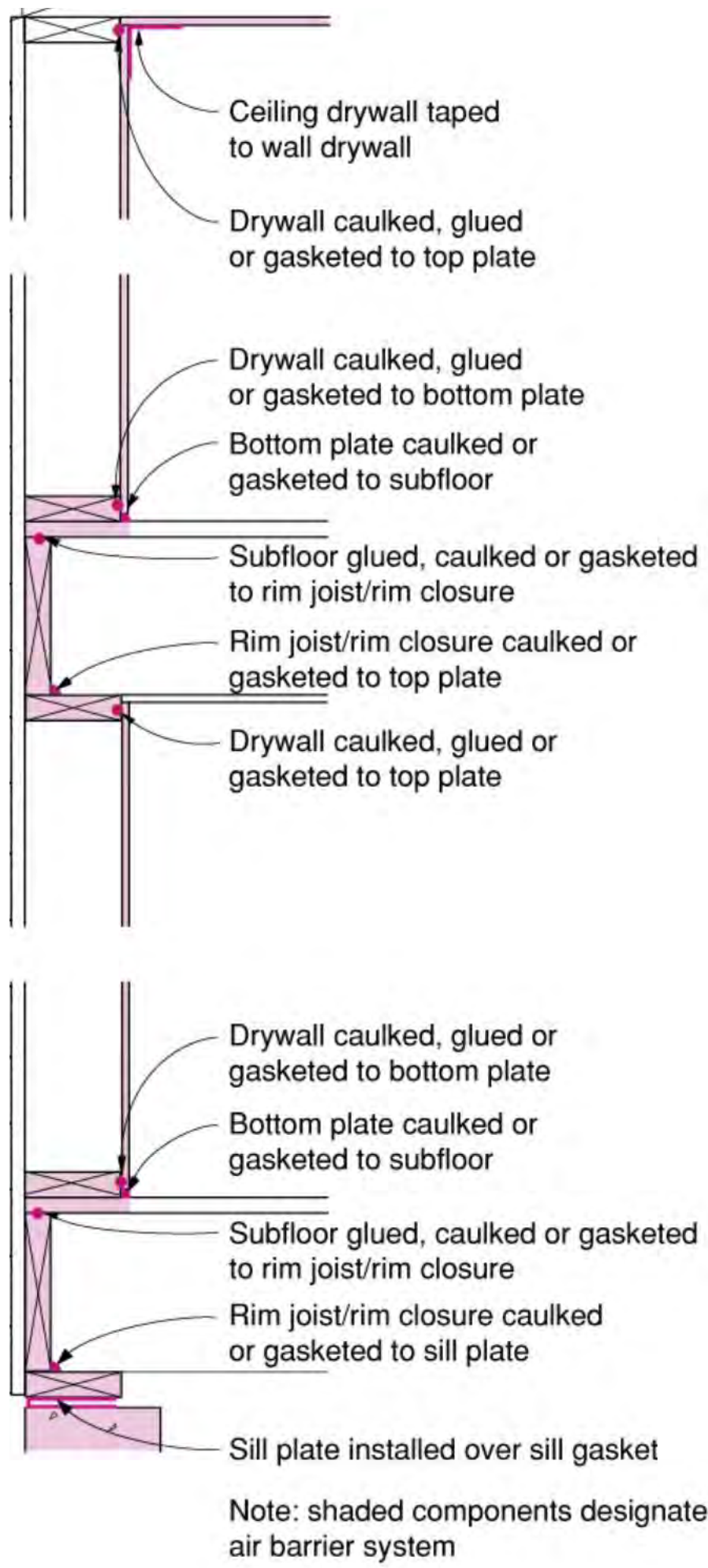
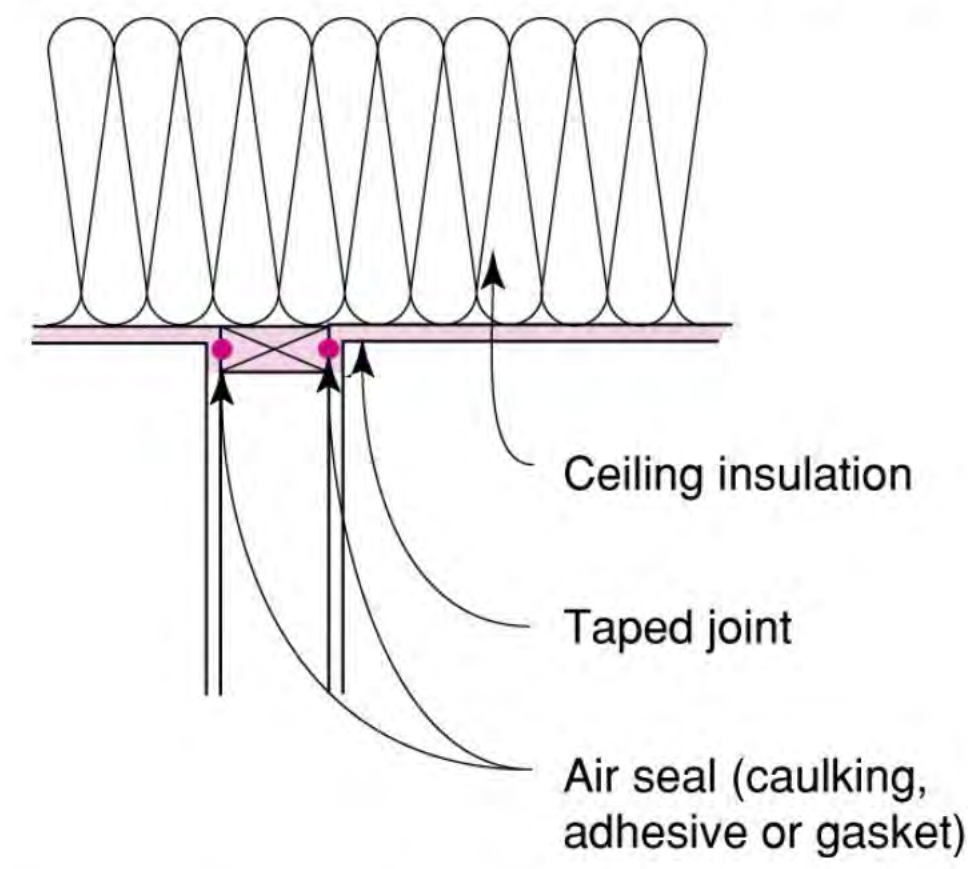


Airtight Drywall Approach – Interior Air Barrier Using Drywall and Framing

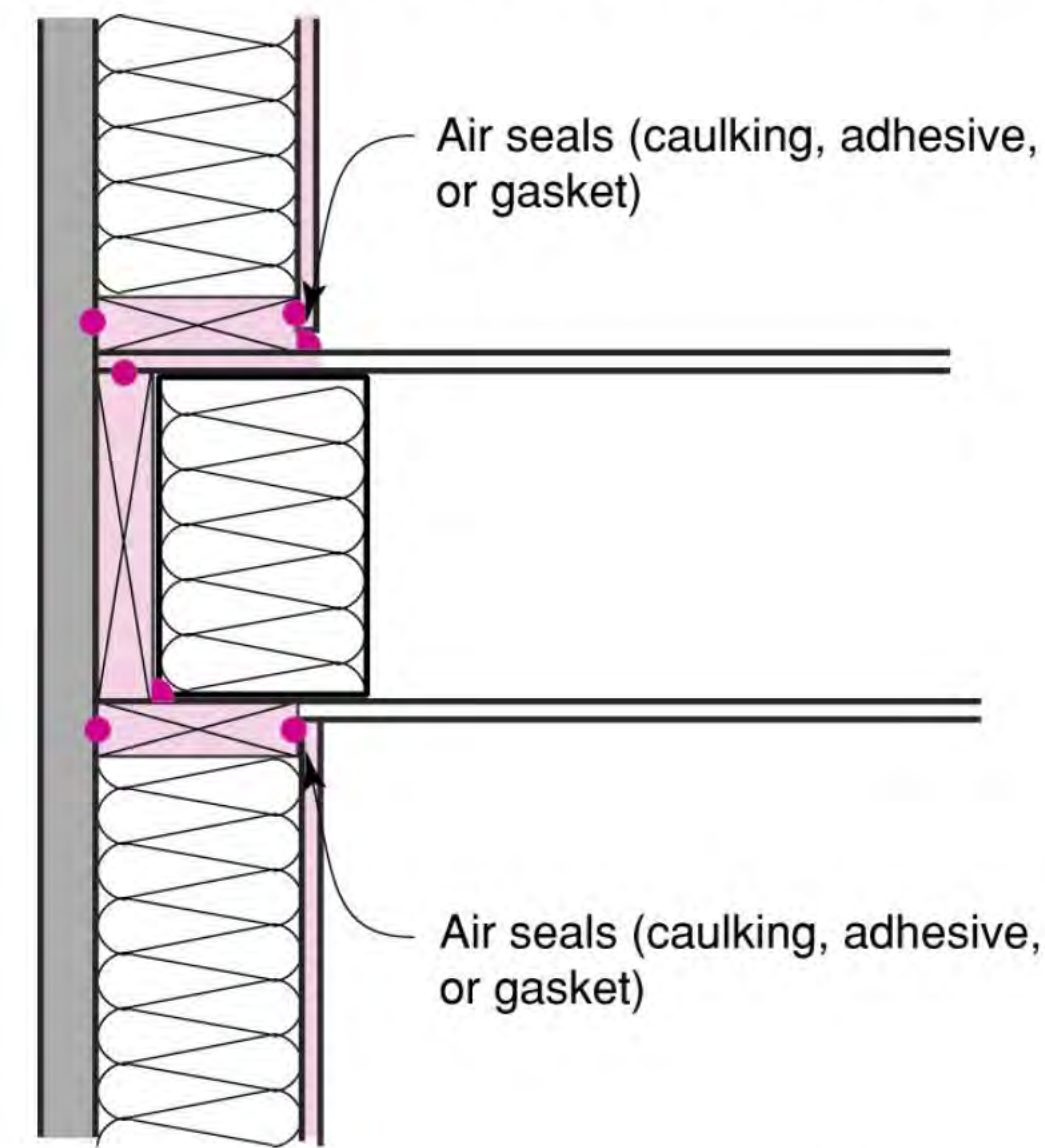


Top Plate



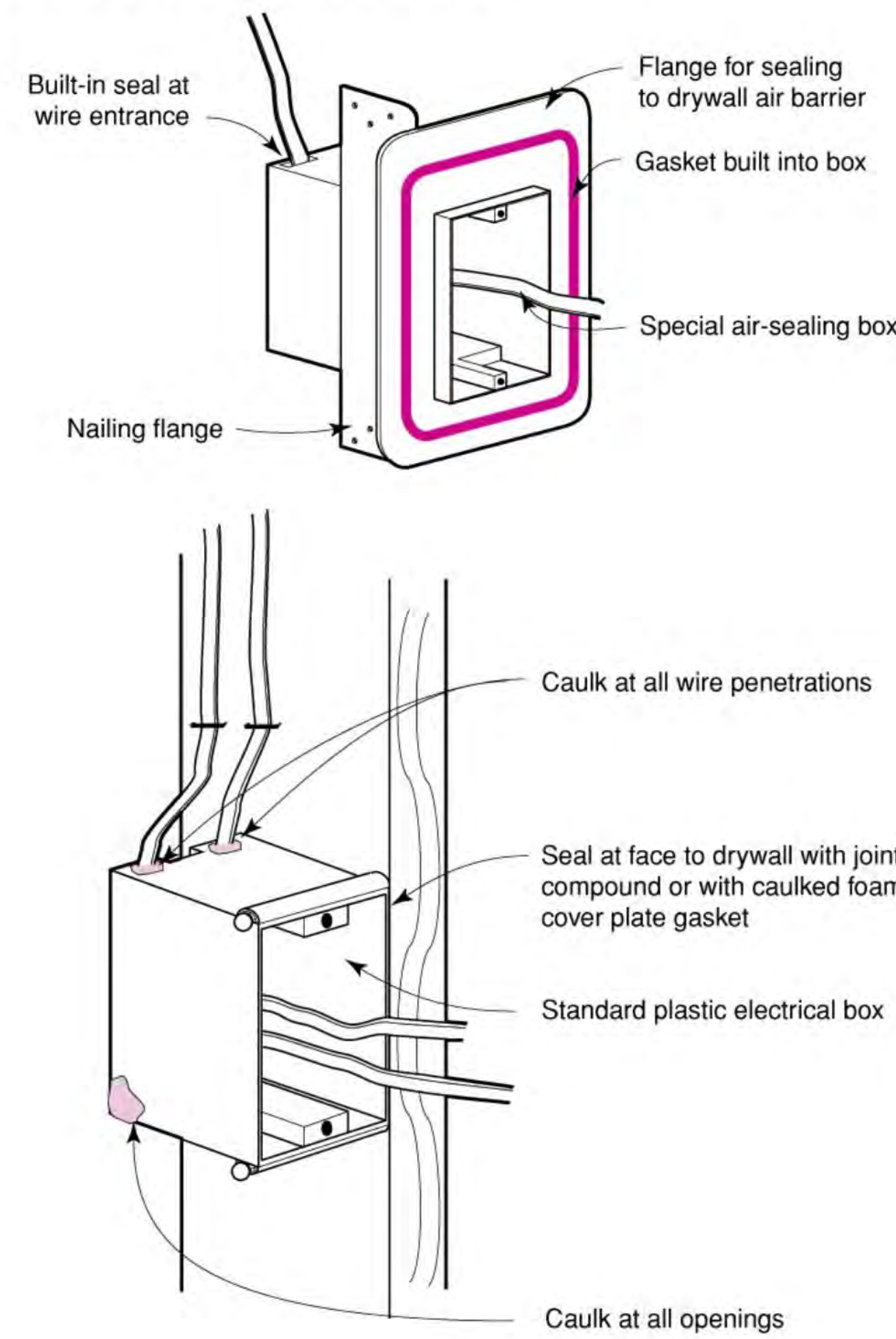
- Penetrations through top plate must also be sealed

Intersection of Floor Joists and Wall

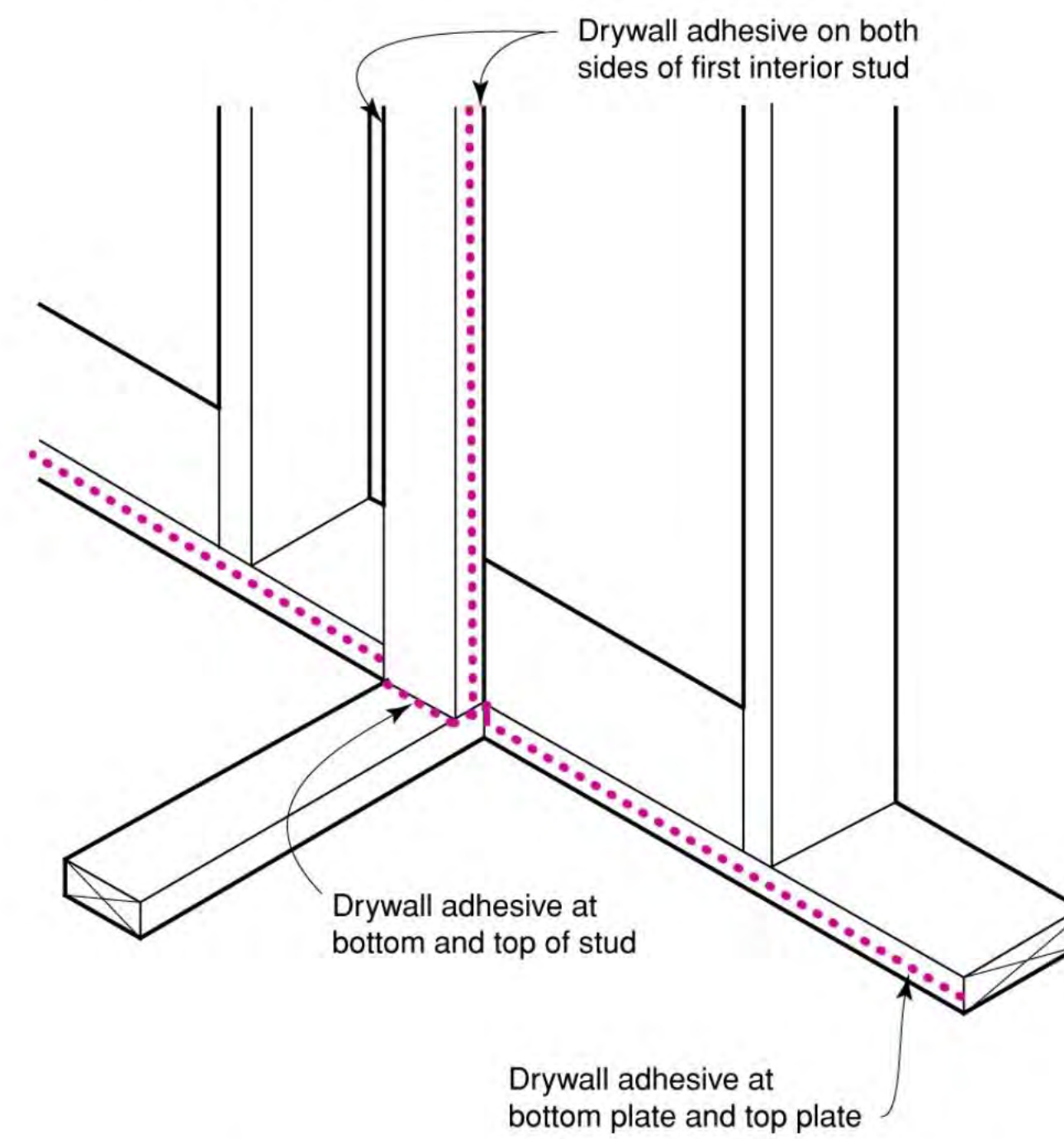


- Drywall sealed to top and bottom plates
- Bottom plate sealed to subfloor
- Subfloor sealed to rim closure board
- Rim closure board sealed to top plate

Electric Box Penetrations

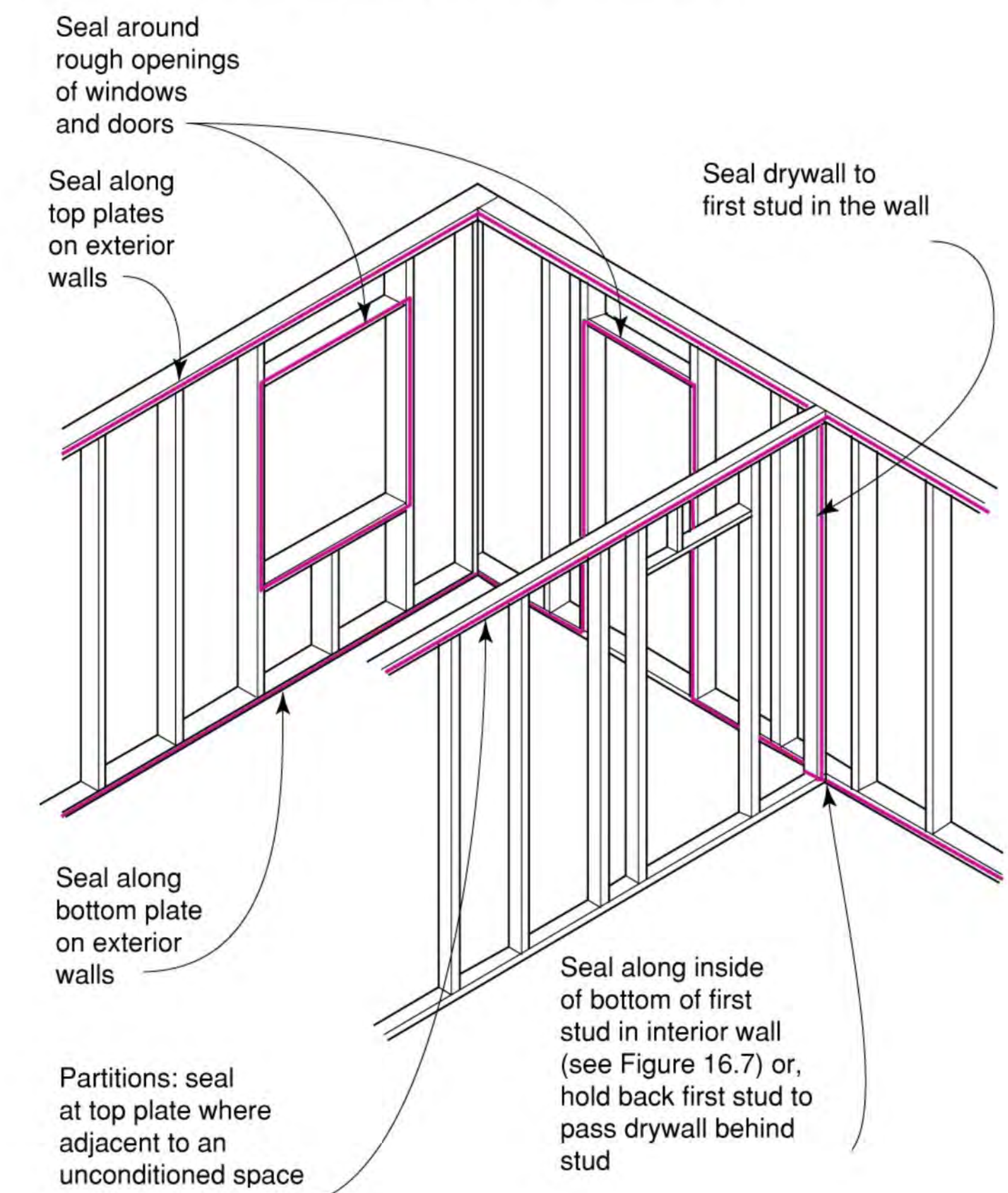


Air Sealing at Partition

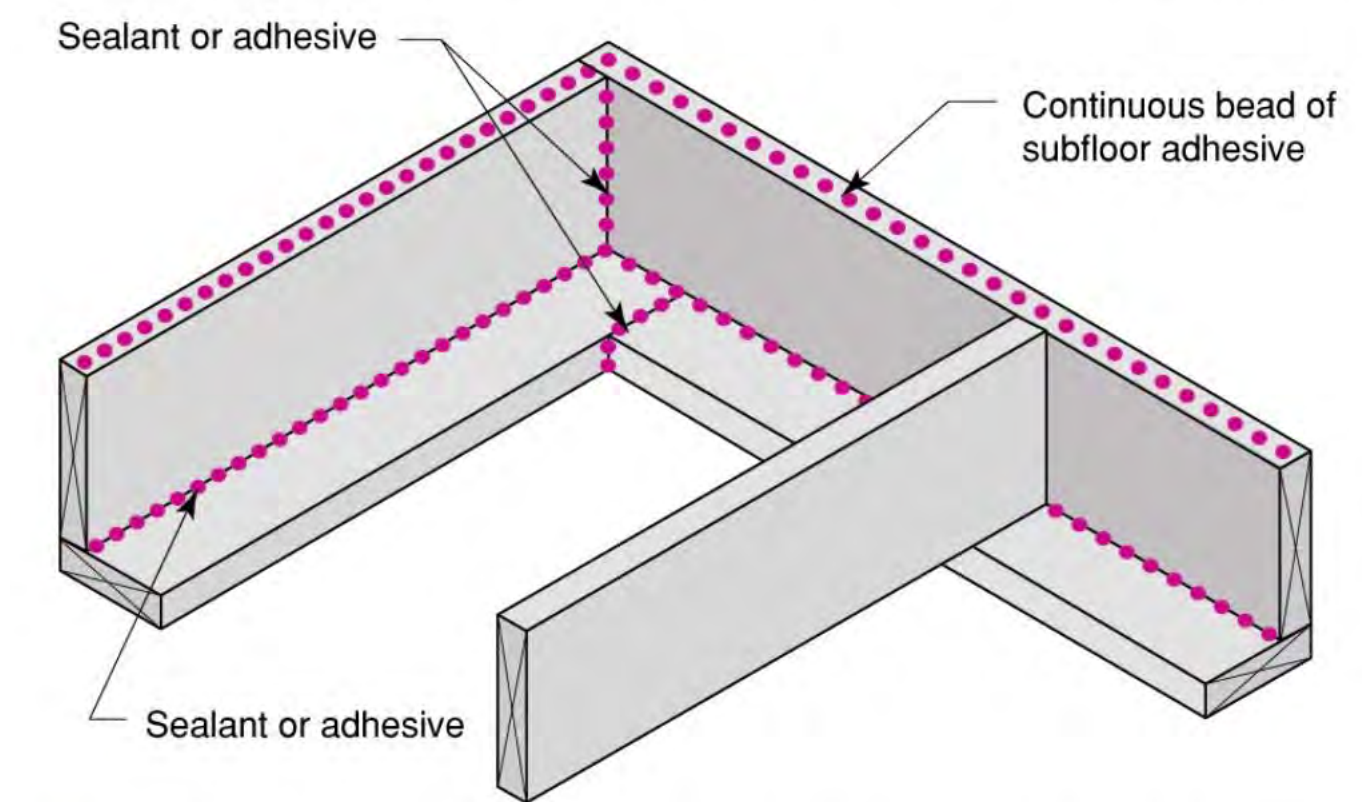


- Adhesive at bottom and top of partition stud allows air barrier to transition uninterrupted to other side of partition
- Penetrations through first partition stud must also be sealed

Sealing Perimeter of Drywall Assemblies



Air Barrier Continuity at Rim Joist/Band Joist



- Continuous fillet bead applied at bottom of rim closure board
- Continuous bead of adhesive applied to top of rim closure board
- Sealant applied at all butt joints in rim closure board and sill plate/top plate
- Spray foam may also be used to seal between the sill/top plate, rim/band joist, and floor deck. Note that joints in the sill/top plate may not be sealed by the foam application.