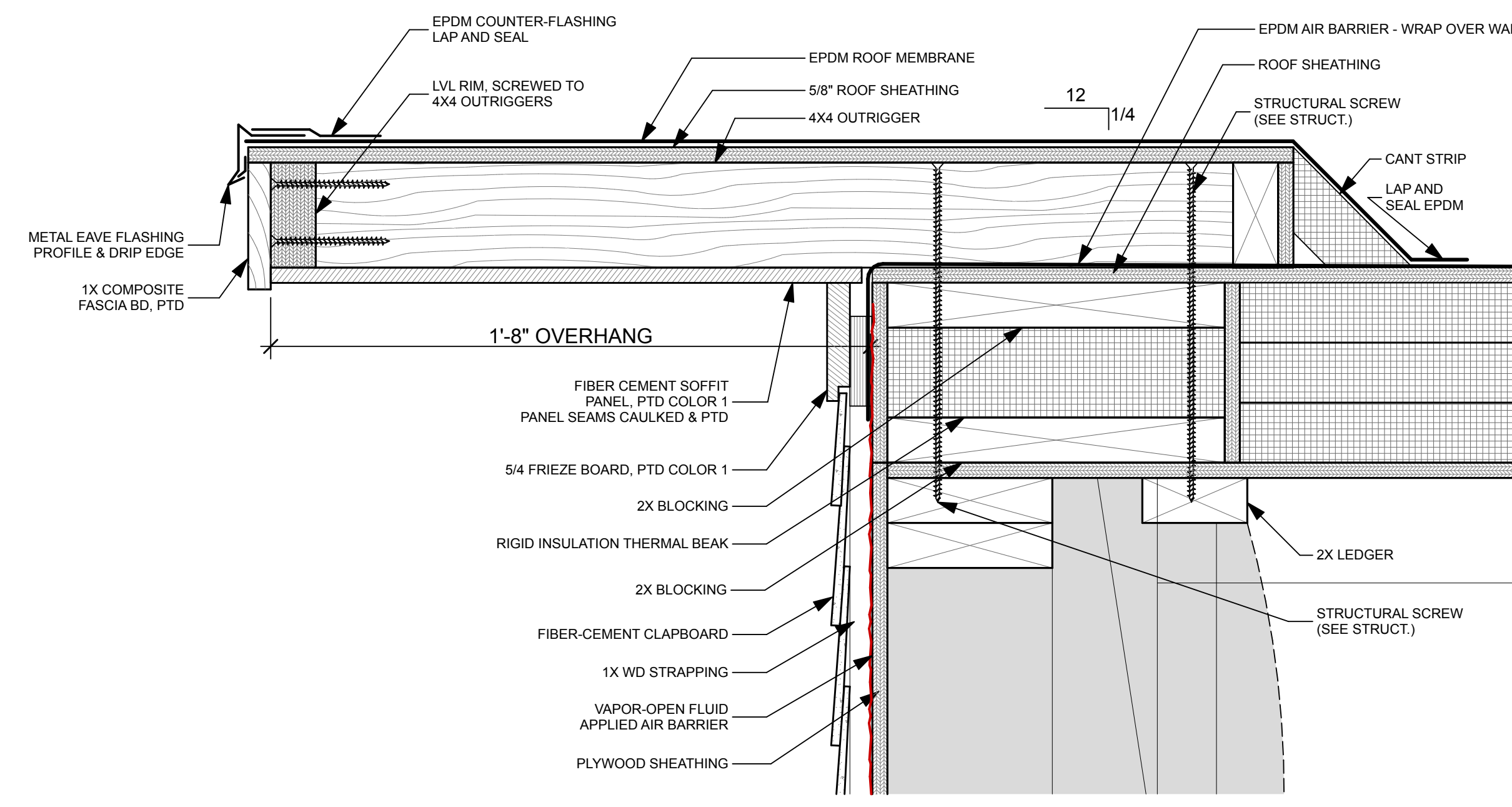
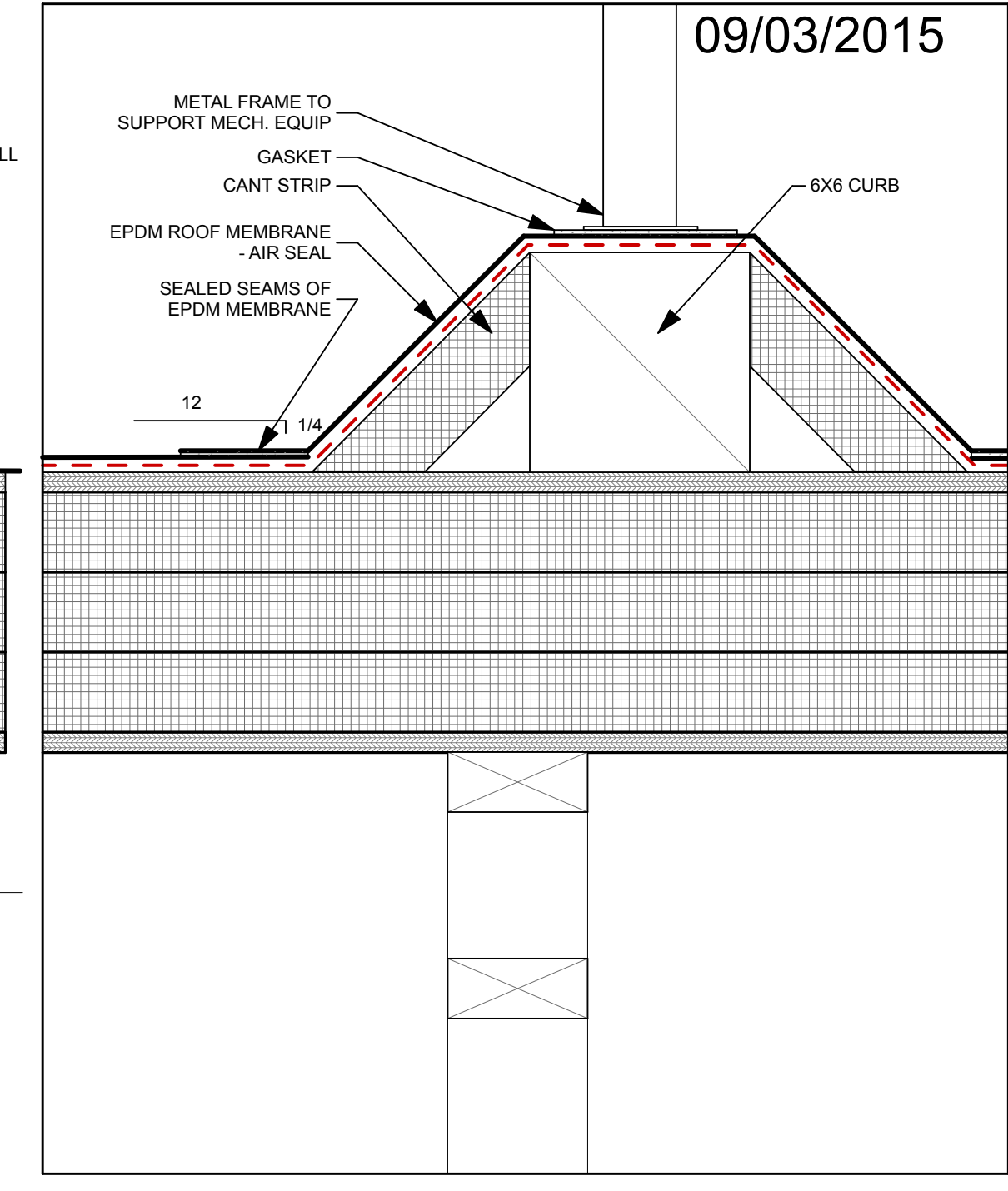


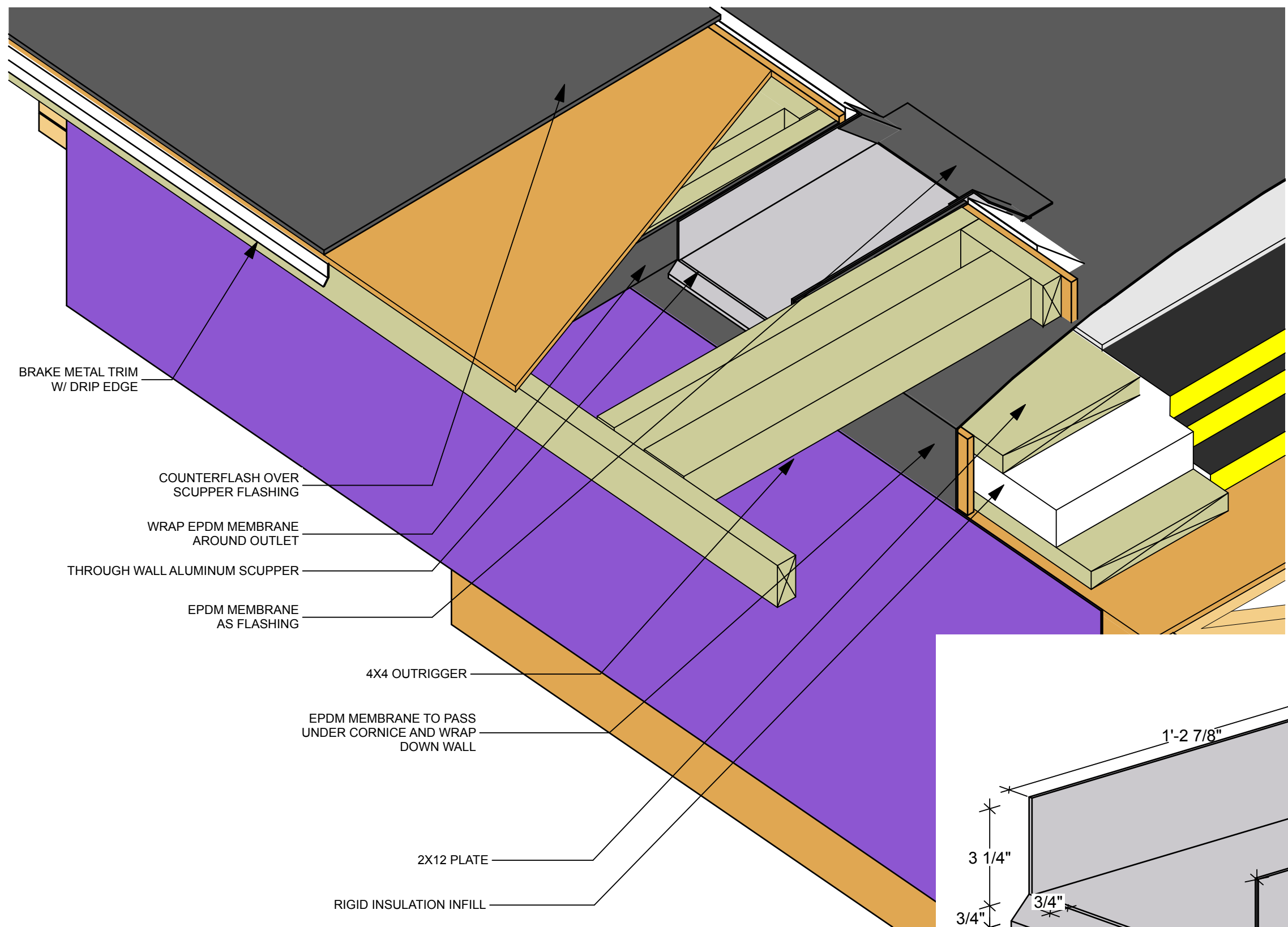
5 CORNICE/ROOF DETAIL
NOT TO SCALE



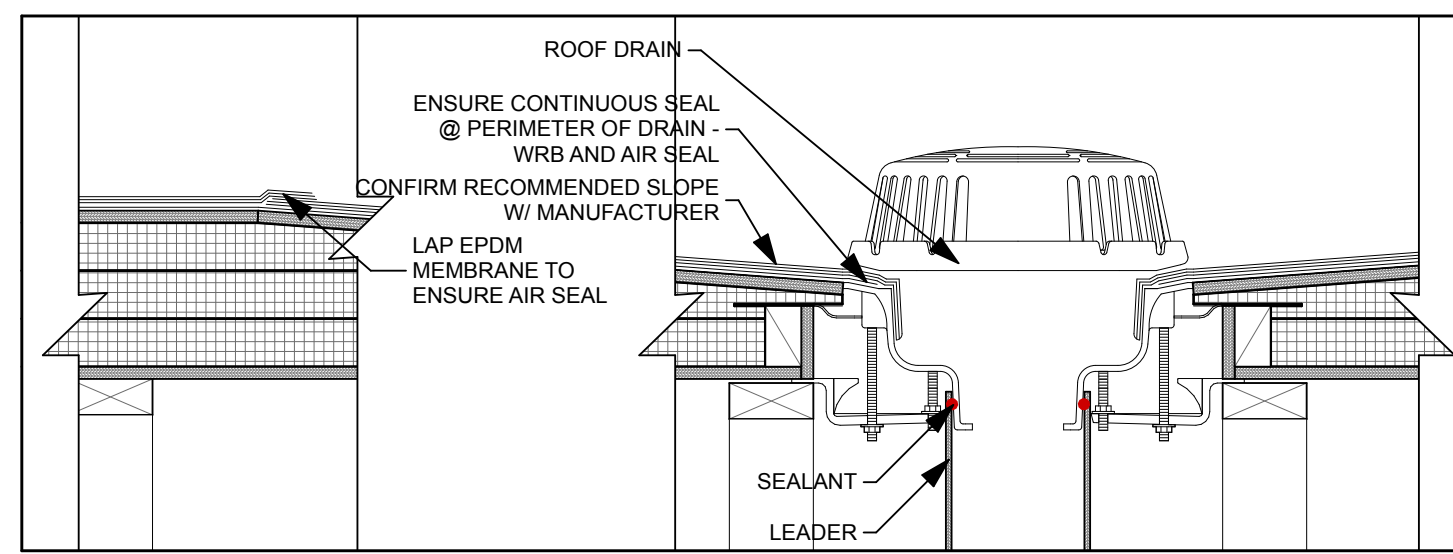
1 CORNICE DETAIL
SCALE: 3" = 1'-0"



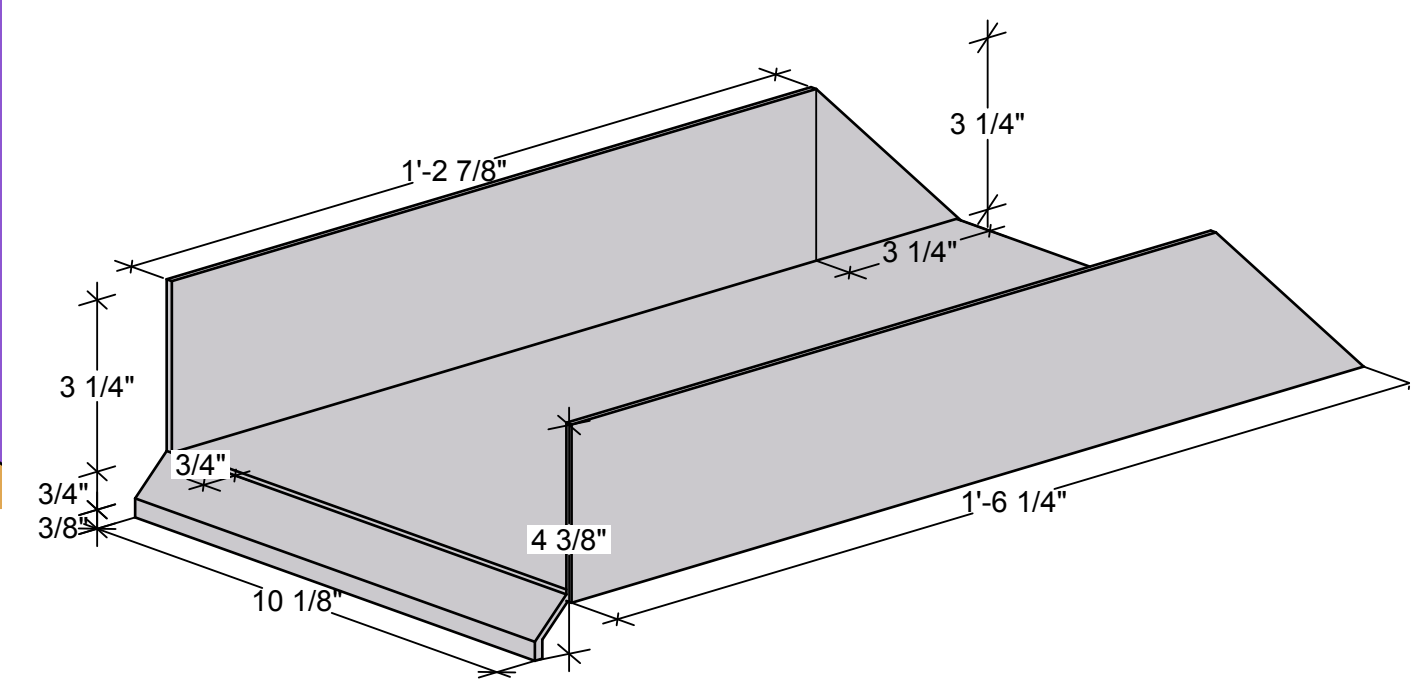
2 MECH. EQUIP. CURB DETAIL
SCALE: 3" = 1'-0"



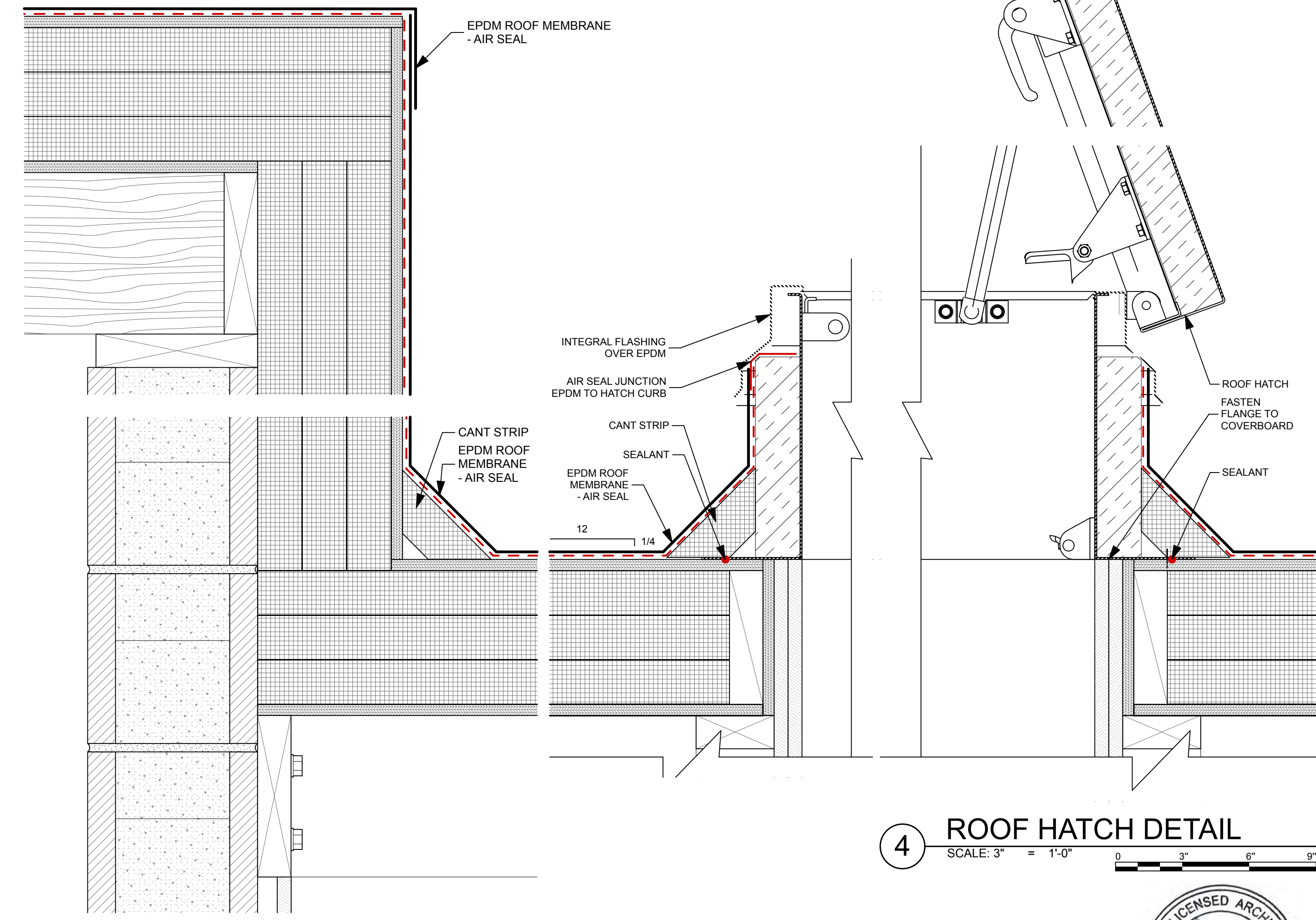
6 ROOF SCUPPER DETAIL
NOT TO SCALE



8 ROOF DRAIN, TYP.
SCALE: 1 1/2" = 1'-0"



7 SCUPPER AXON
SCALE: 3" = 1'-0"



3 ELEVATOR CURB DETAIL
SCALE: 3" = 1'-0"

4 ROOF HATCH DETAIL
SCALE: 3" = 1'-0"