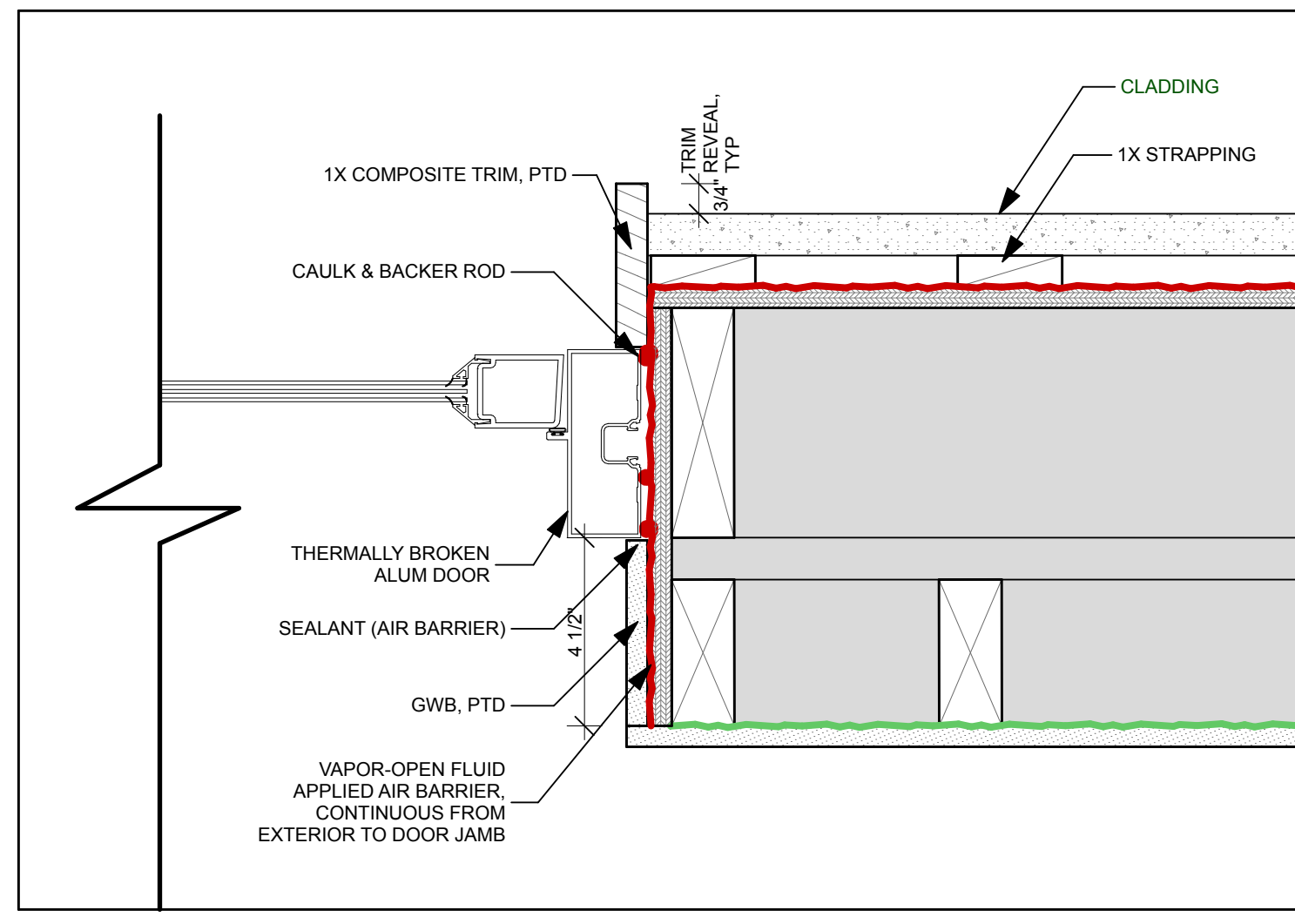
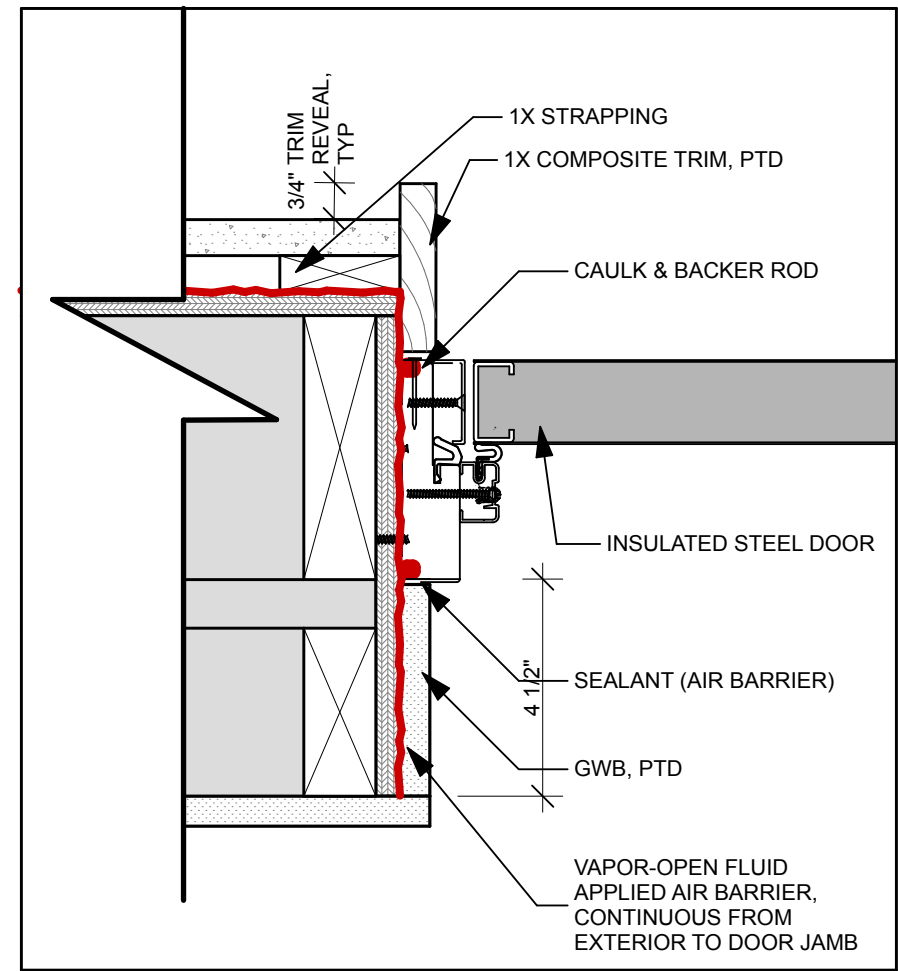


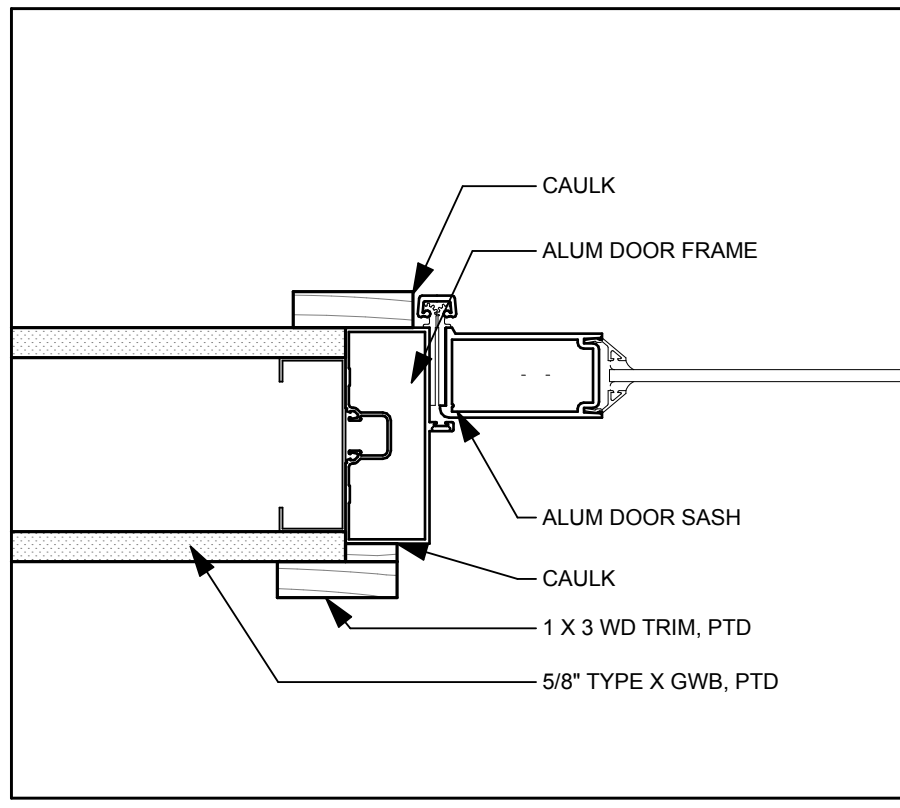
1 TRASH RAMP AND STEEL DOOR HEAD/SILL DETAIL
SCALE: 6" = 1'-0"



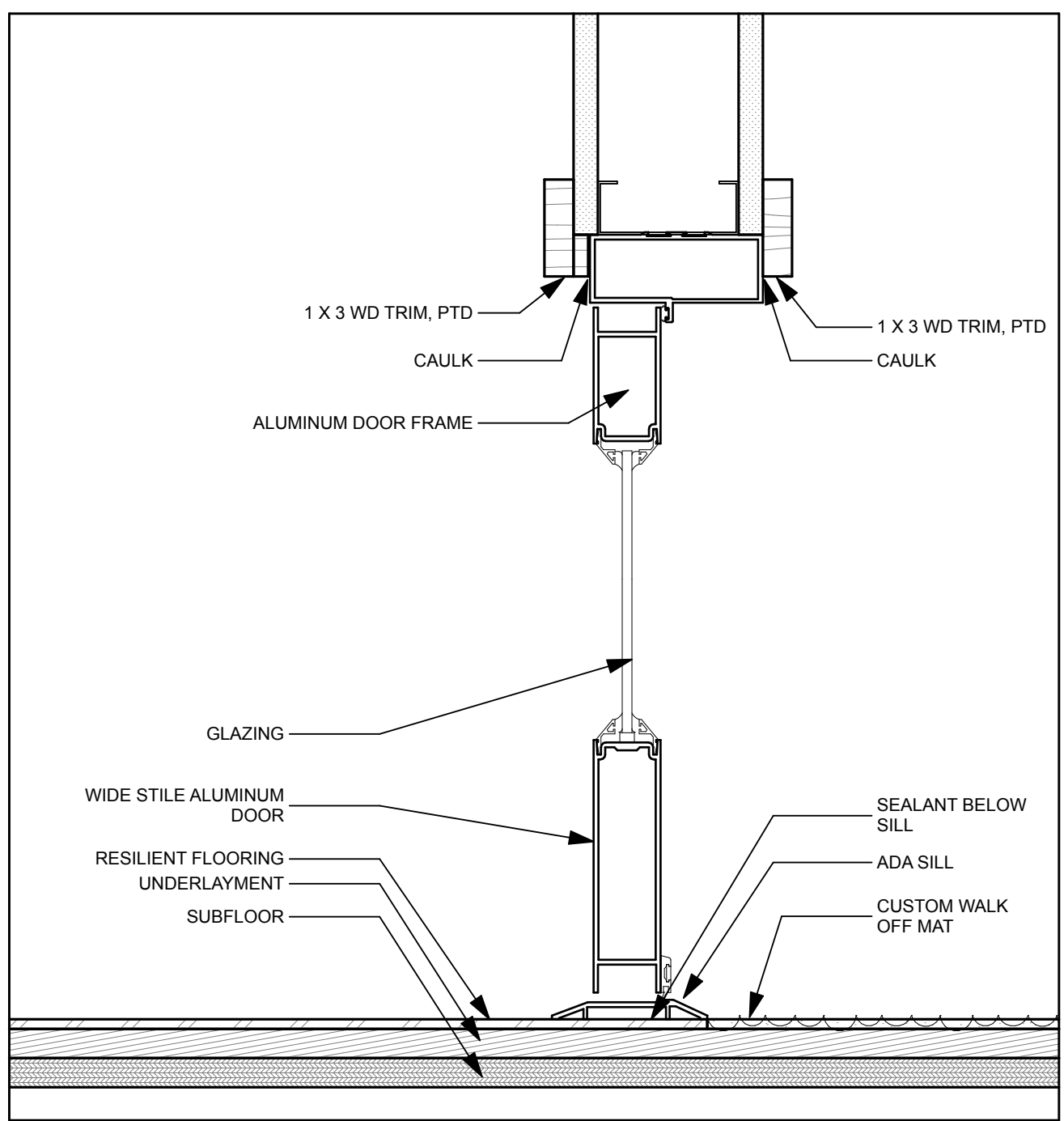
3 EXTERIOR DOOR JAMB, TYP.
SCALE: 3" = 1'-0"



2 STEEL DOOR JAMB DETAIL
SCALE: 3" = 1'-0"



5 VESTIBULE DOOR JAMB DETAIL
SCALE: 3" = 1'-0"



4 VESTIBULE DOOR HEAD AND SILL DETAIL
SCALE: 3" = 1'-0"