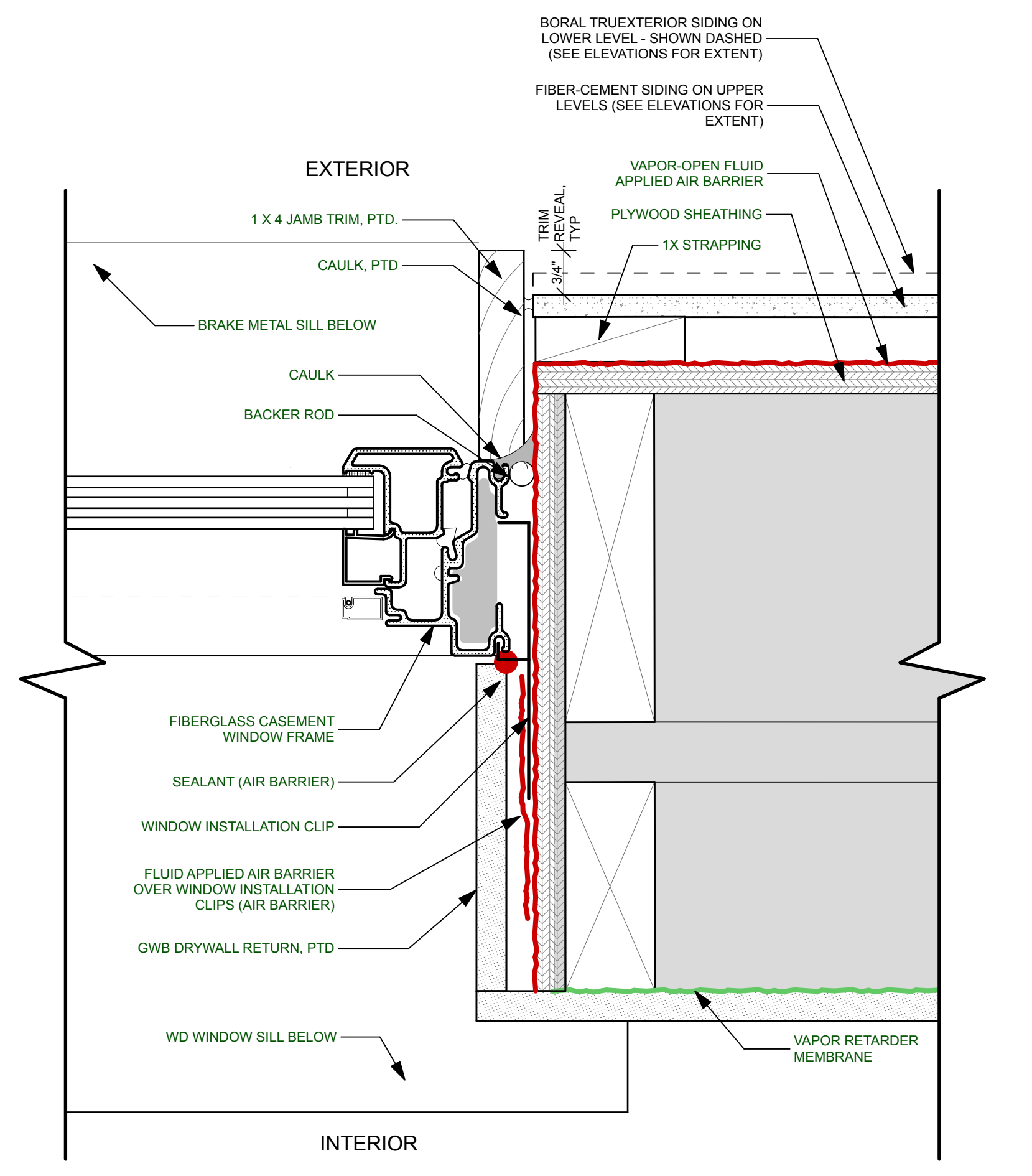
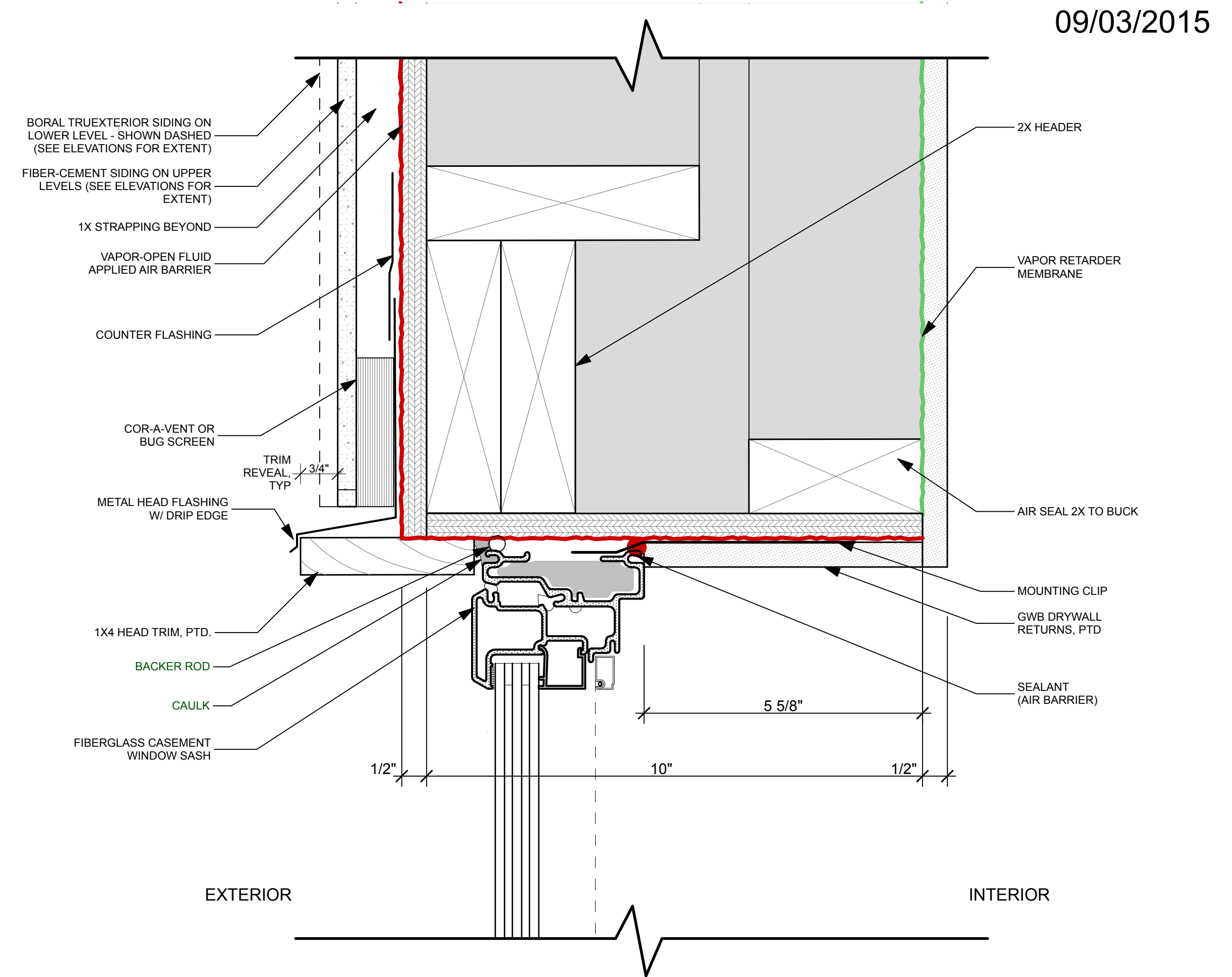


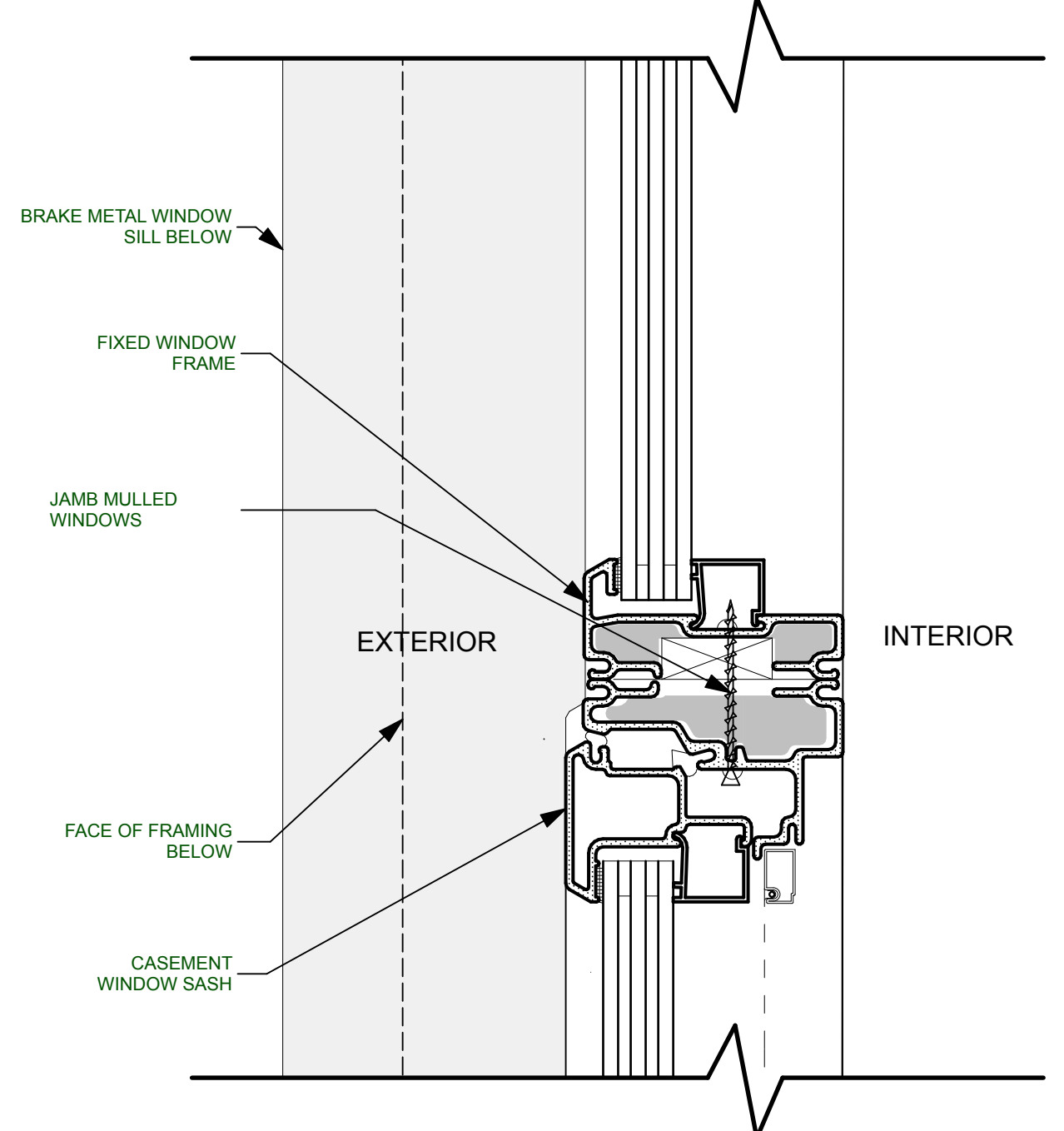
**6 WINDOW DETAIL - 3D**  
NOT TO SCALE



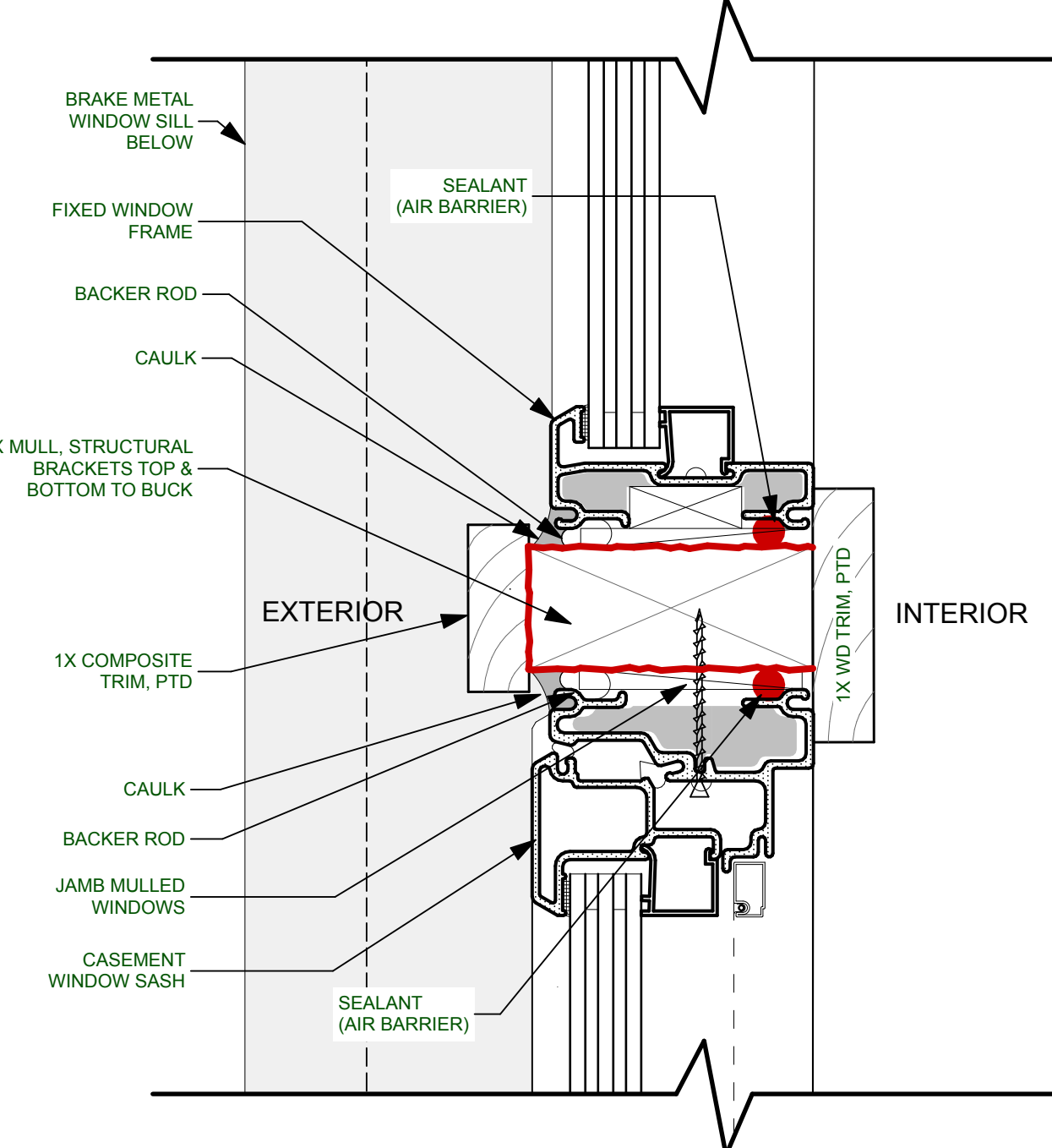
**3 WINDOW JAMB - TYPICAL**  
SCALE: 6" = 1'-0"



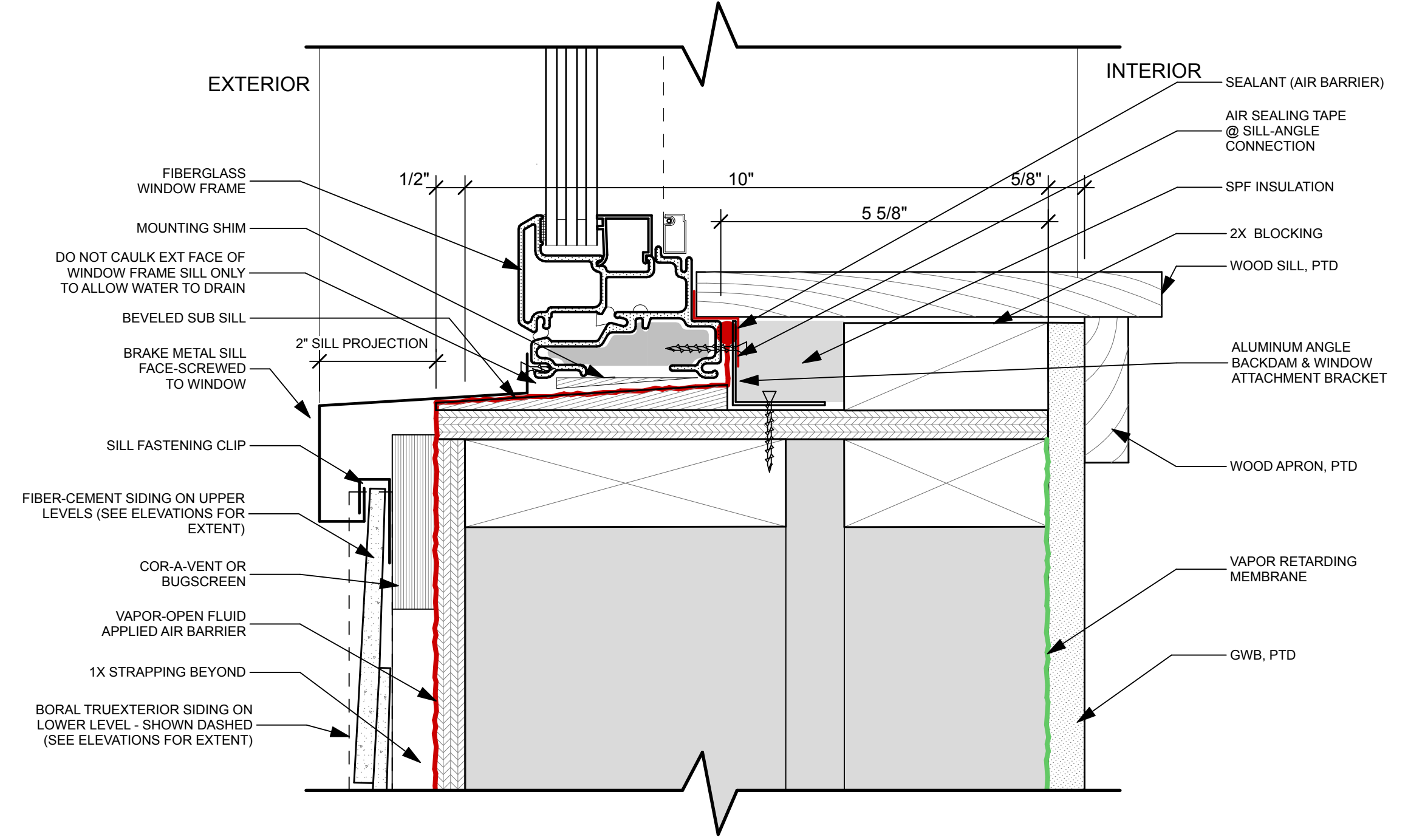
**1 WINDOW HEAD - TYPICAL**  
SCALE: 6" = 1'-0"



**5 FIELD-MULLED WINDOW: NO STUD**  
SCALE: 6" = 1'-0"



**4 FIELD-MULLED WINDOW: STUD BRACE**  
SCALE: 6" = 1'-0"



**2 WINDOW SILL - TYPICAL**  
SCALE: 6" = 1'-0"