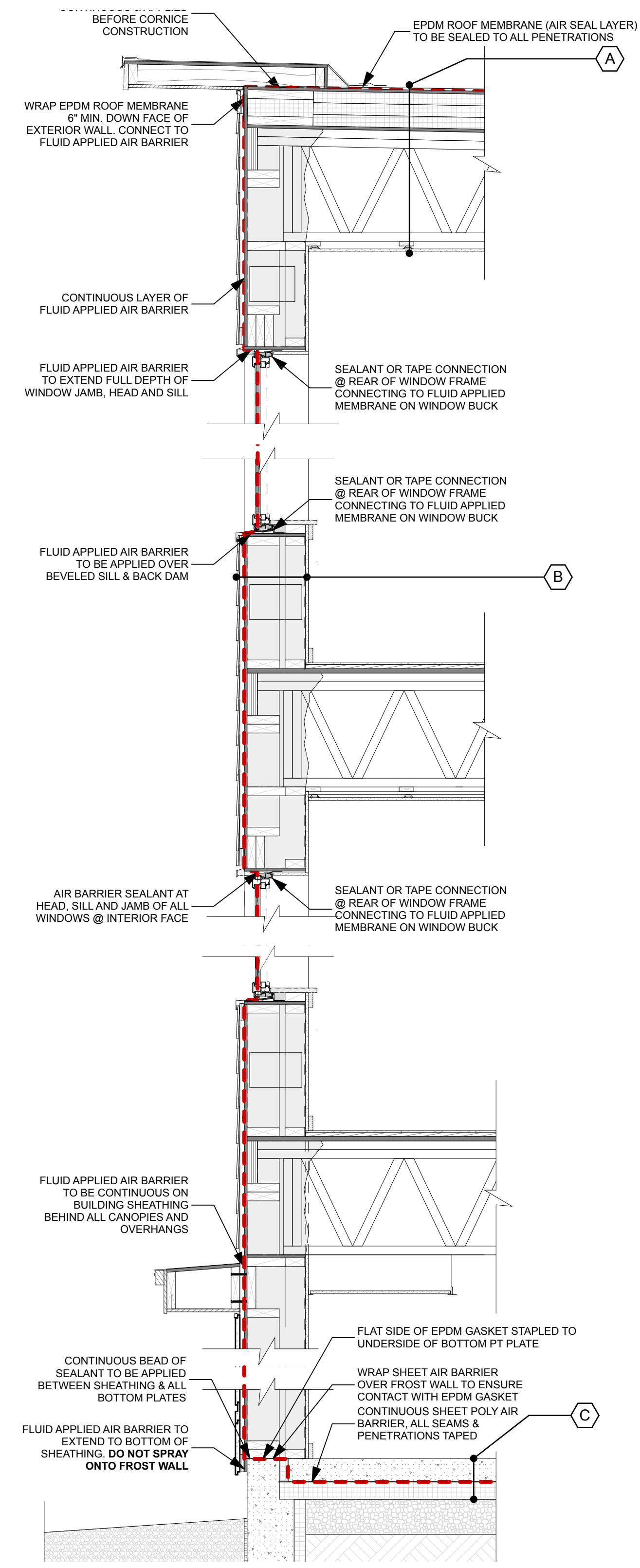
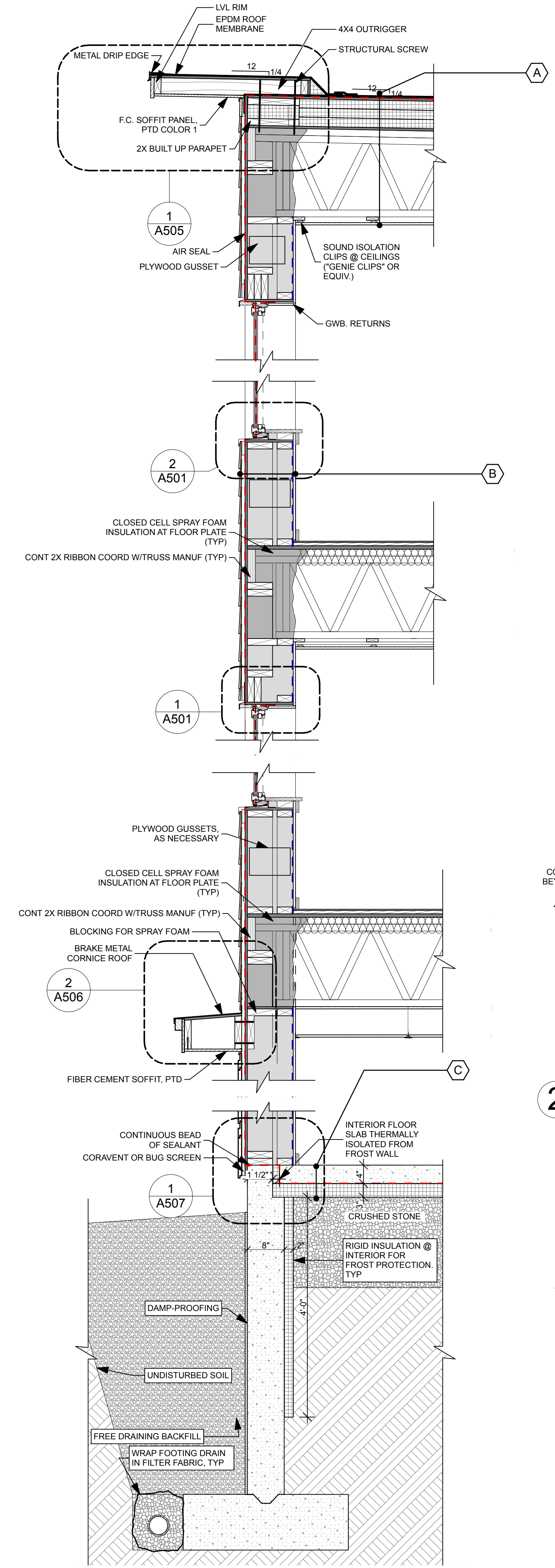


5 WALL SECTION: PHA/HS ENTRY
SCALE: 3/4" = 1'-0"



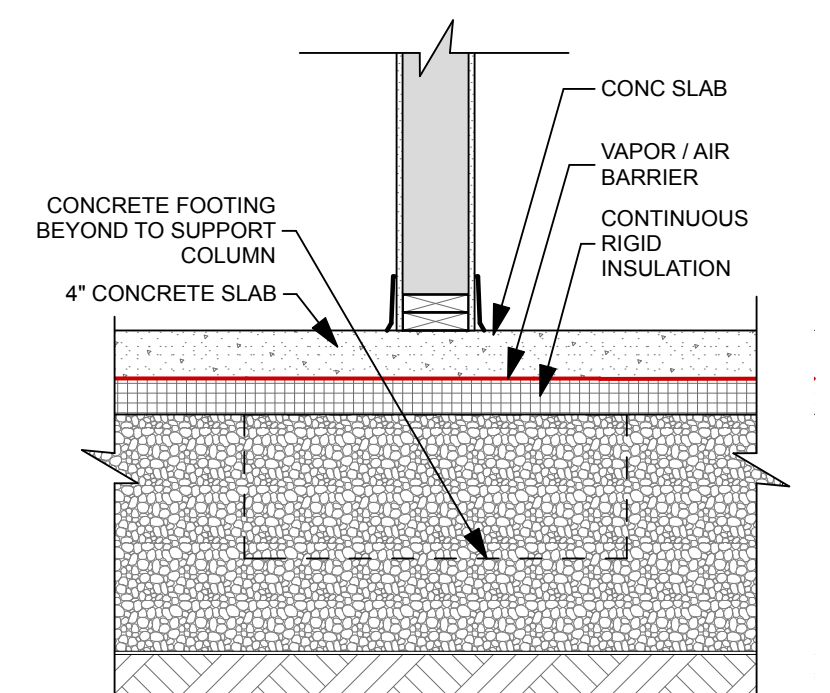
4 WALL SECTION: AIR SEALING
SCALE: 3/4" = 1'-0"



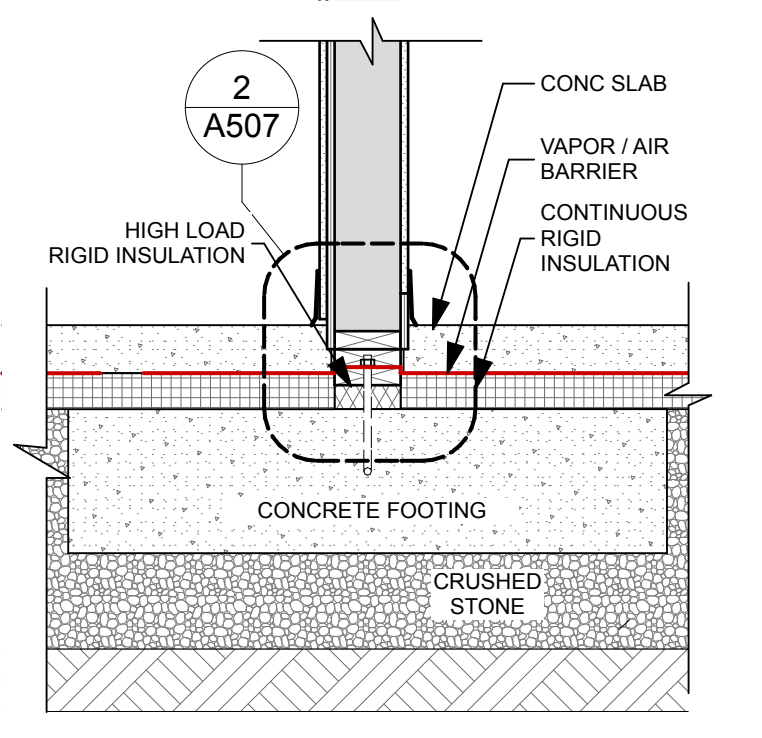
1 WALL SECTION - TYPICAL
SCALE: 3/4" = 1'-0"

ASSEMBLY NOTES

- A** TYP. ROOF:
EPDM Roofing, Fully Adhered
On Cover Board
On Poly-Iso Rigid Board Insulation
On 3/4" Plywood Roof Sheathing
On Pre-manufactured Wood Truss
On Resilient Sound Isolation Clips
On 5/8" Type X GWB, PTD.
- B** TYP. WALL - 10" Double Stud:
Fiber Cement Siding
On 1x Strapping
On Vapor-Open Fluid Applied Membrane
On 1/2" Plywood Sheathing
On 2x Stud, Bearing. W/ 10" Dense Packed Cellulose
On 2x Stud
On Vapor Retarder Membrane
On 5/8" Type X GWB, PTD.
- C** TYP. FLOOR SLAB:
Polished Concrete Slab
On 15 Mil Vapor Barrier, Taped and Sealed
On 3" Type 1X EPS
On Crushed Stone, Drainage Layer
On Compacted Fill



2 INTERIOR 2X6 WALL: NON-BEARING
SCALE: 3/4" = 1'-0"



3 INTERIOR 2X6 WALL: BEARING
SCALE: 3/4" = 1'-0"

PRICING DOCUMENTS

PROJECT:
BAYSIDE ANCHOR
PHDC & AVESTA HOUSING
81 EAST OXFORD STREET
PORTLAND, ME

DRAWING: WALL SECTION
SCALE: 3/4" = 1'-0"
DATE: 9/3/15
DRAWN BY: JJT
REVISED:

