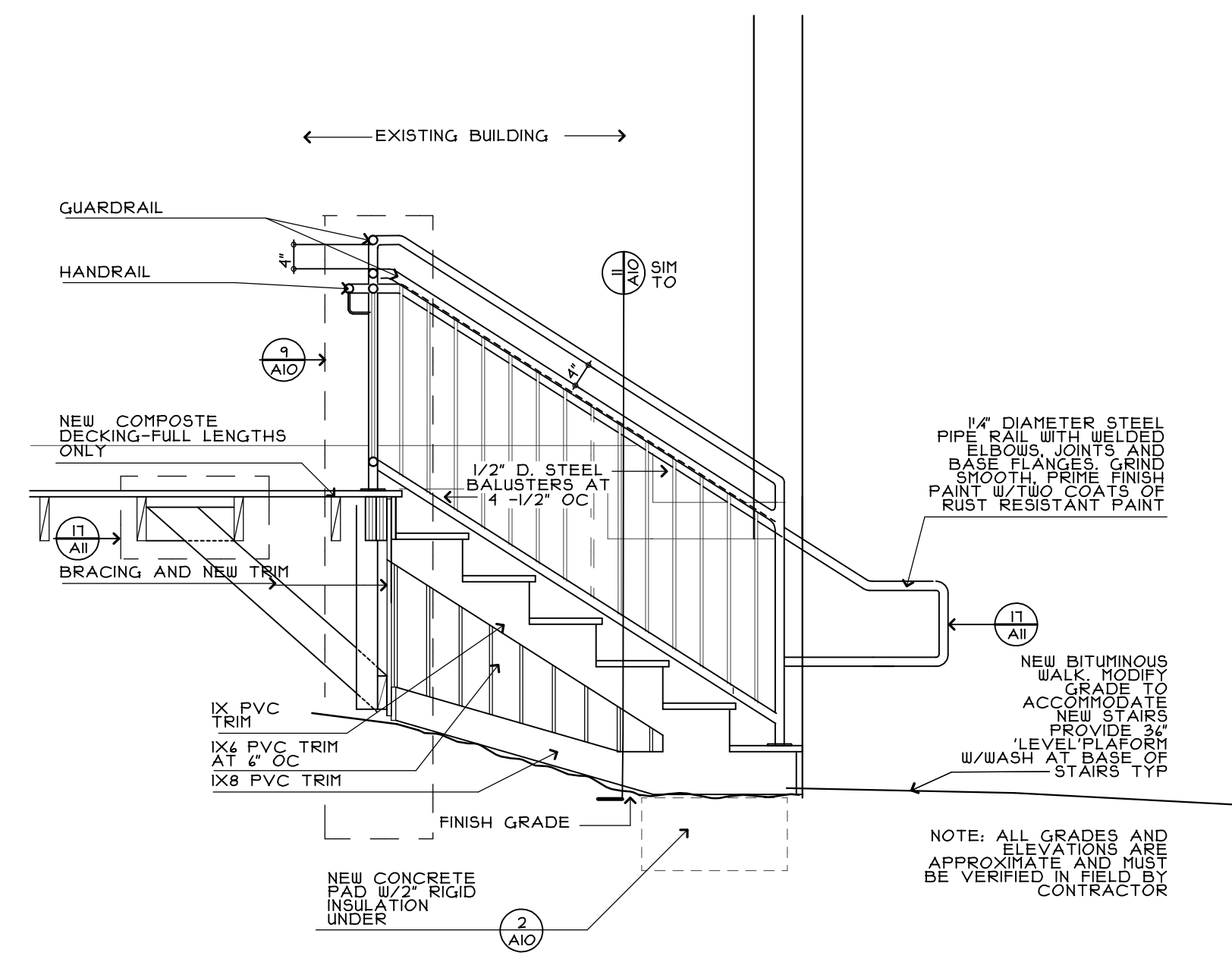
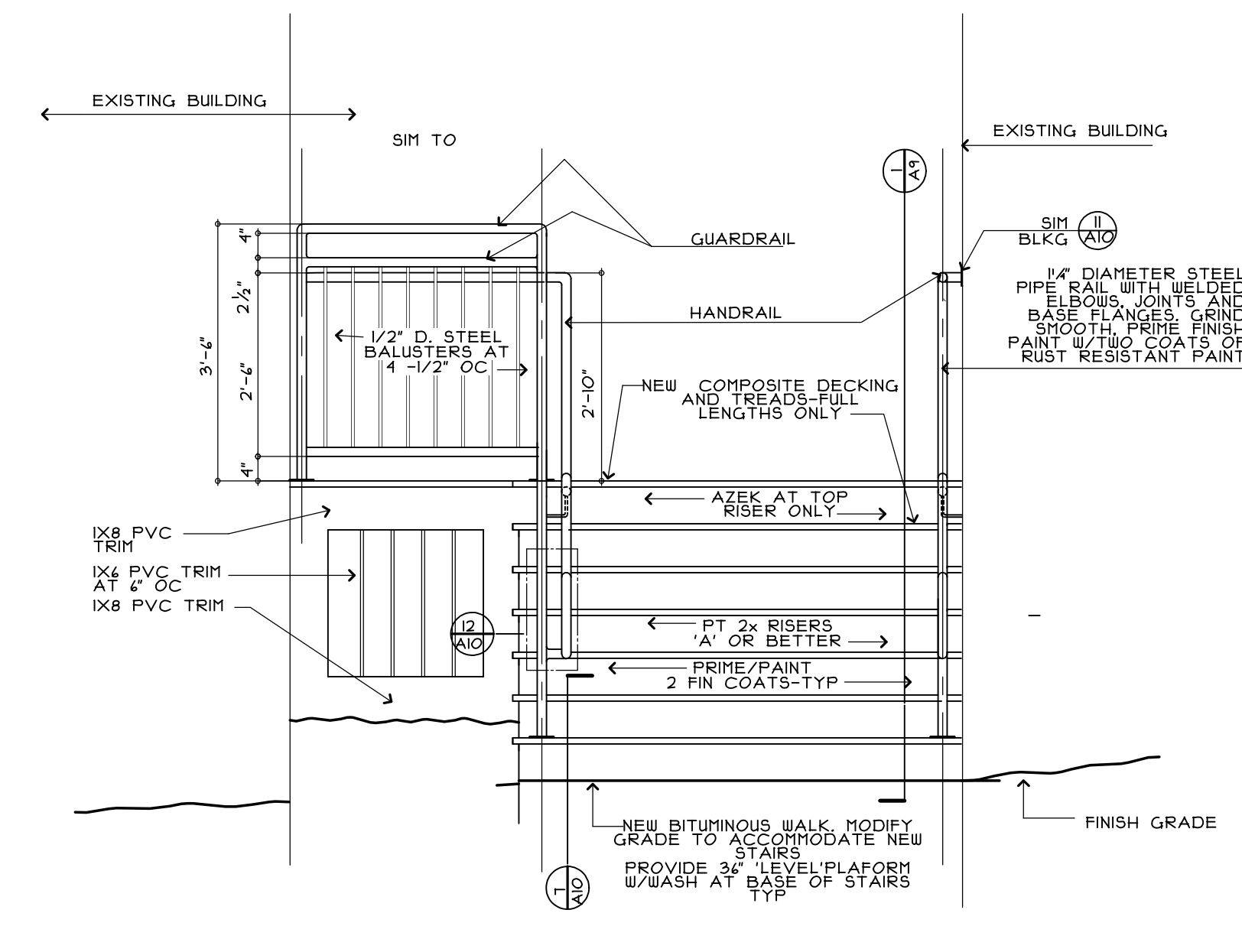


1
A9 BUILDING 4, 25 BOYD STREET, STAIR II SECTION
SCALE: 1/2" = 1'-0"



3
A9 LEFT SIDE ELEVATION- STAIR II, BUILDING 4 25 BOYD STREET
SCALE: 1/2" = 1'-0"



2
A9 FRONT ELEVATION- STAIR II, BUILDING 4 25 BOYD STREET
SCALE: 1/2" = 1'-0"