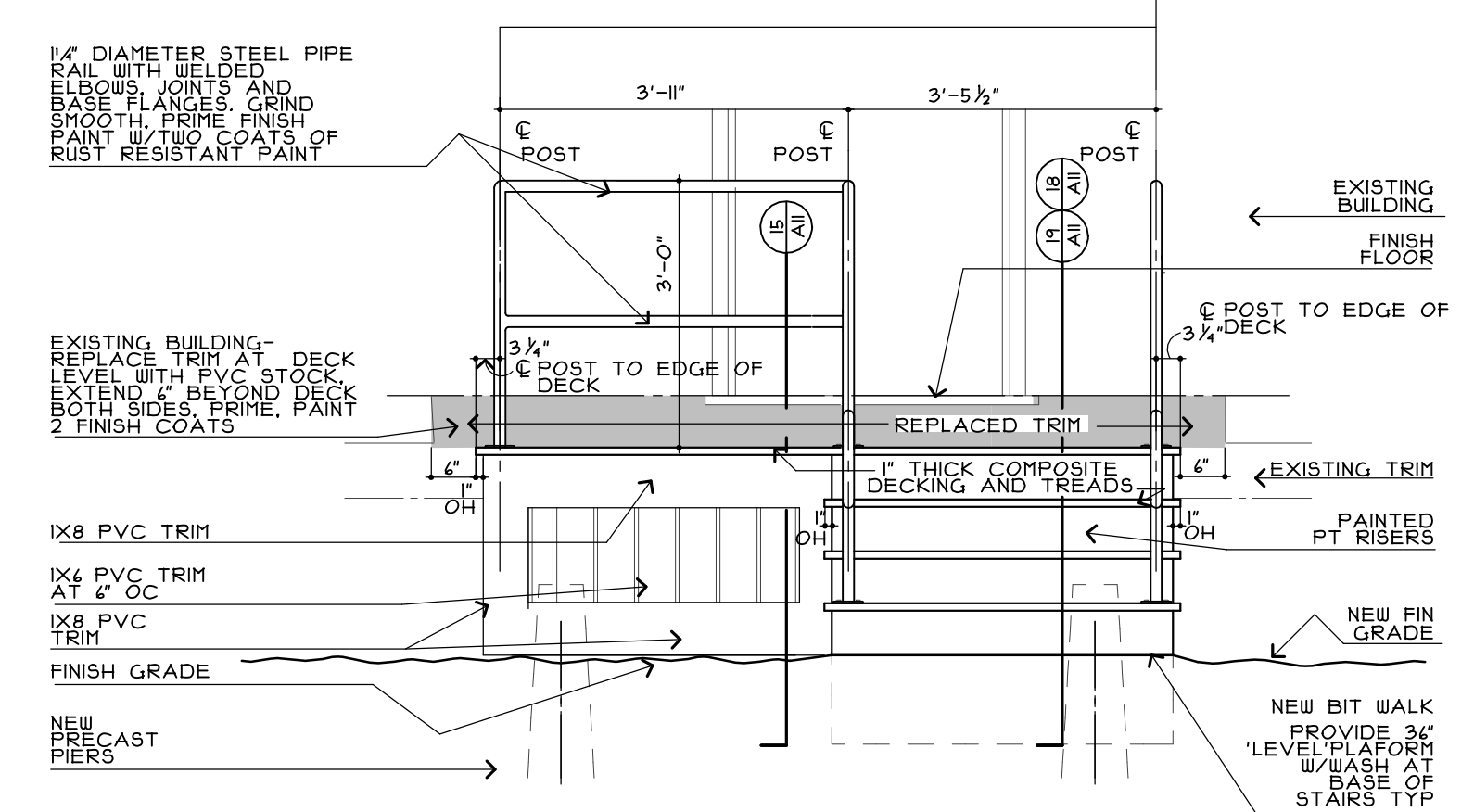
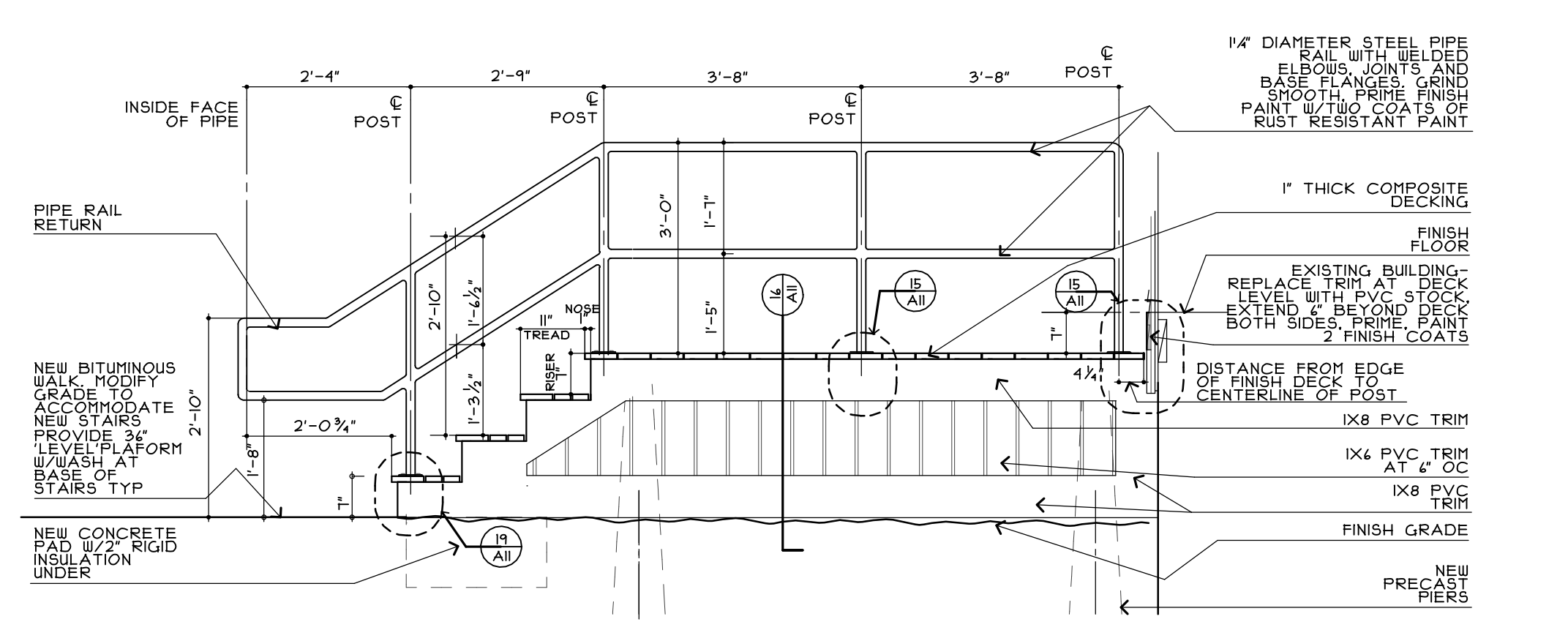


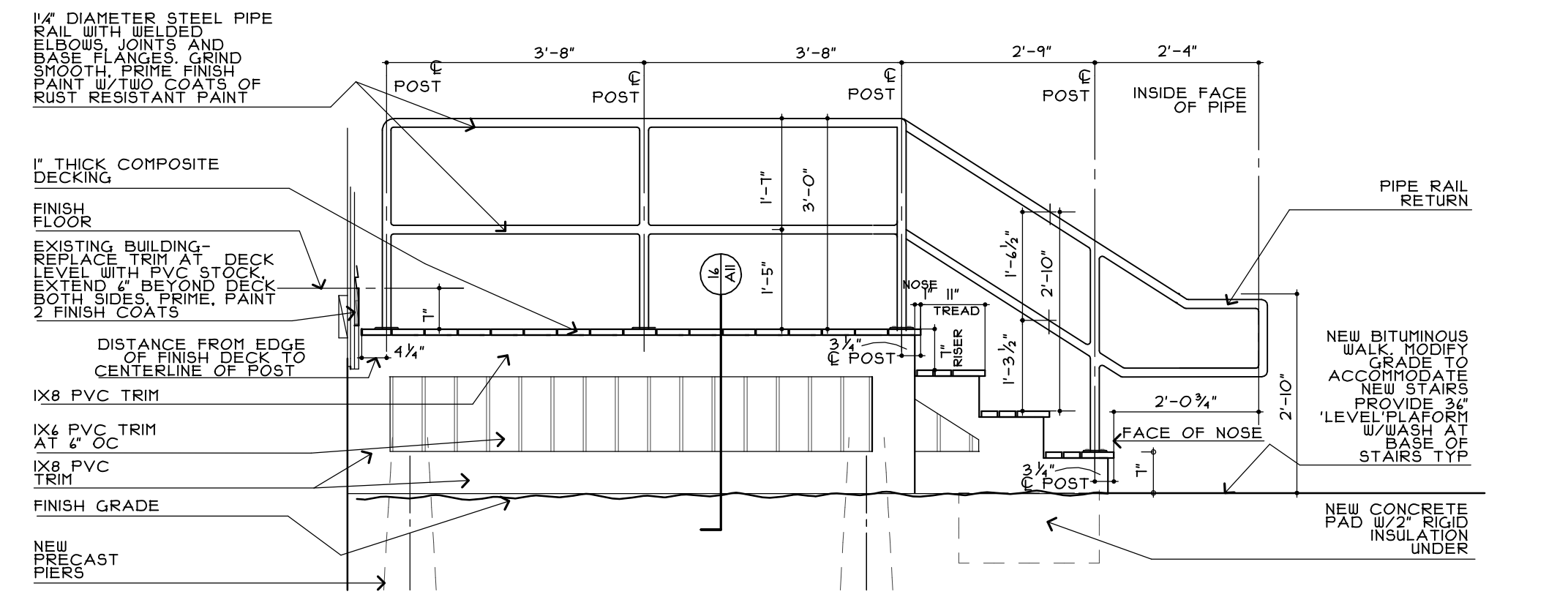
B-1, 9 BOYD STREET, STAIRS 2,4-3 SIM
B-2, 20 MAYO STREET, STAIRS 6, 8-1 SIM
STAIR PLANS
SCALE: 1/2"=1'-0"



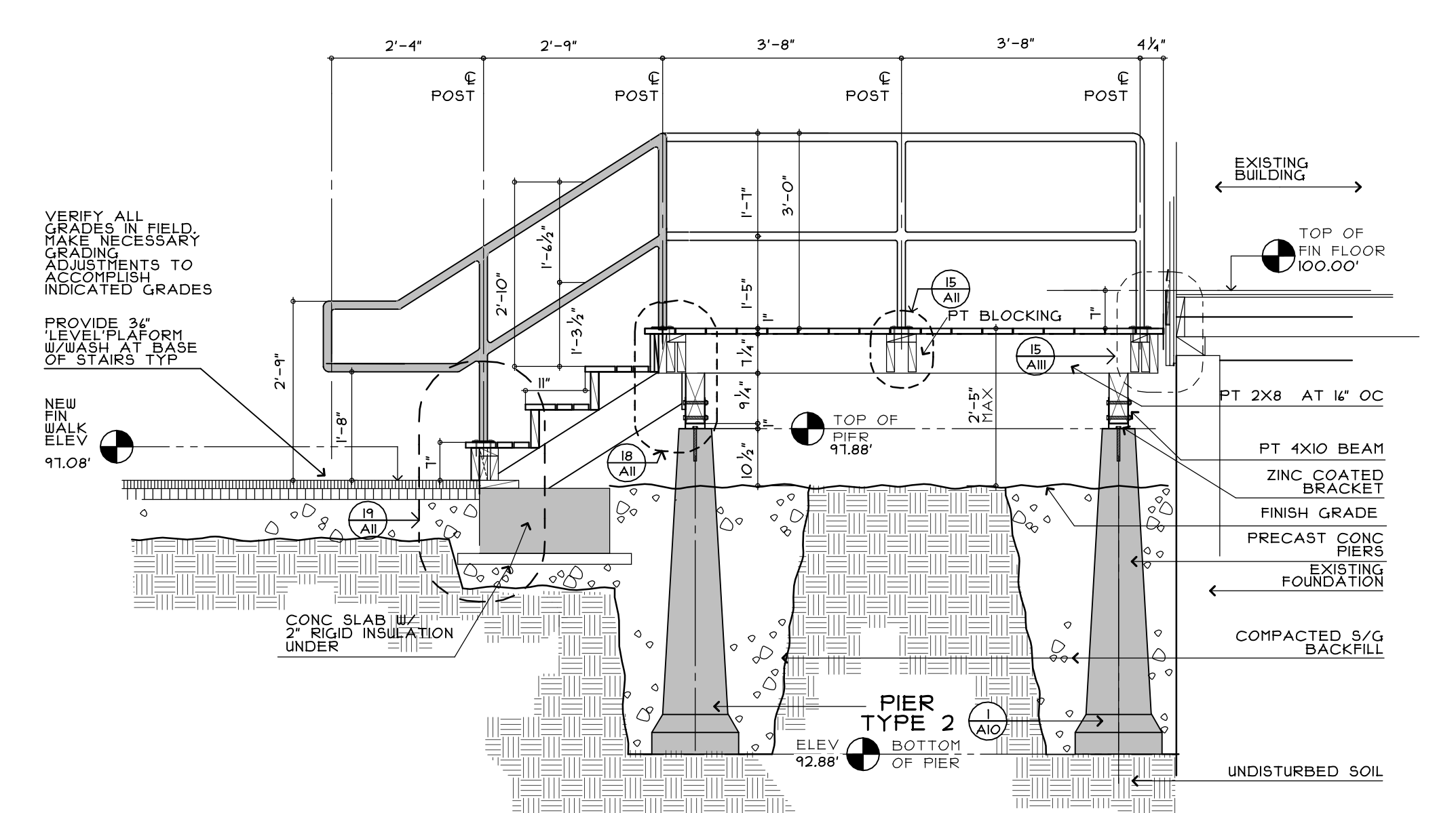
B-1, 9 BOYD STREET, STAIRS 2,4-3 SIM
B-2, 20 MAYO STREET, STAIRS 6, 8-1 SIM
FRONT ELEVATION
SCALE: 1/2"=1'-0"



B-1, 9 BOYD STREET, STAIRS 2,4-3 SIM
B-2, 20 MAYO STREET, STAIRS 6, 8-1 SIM
RIGHT SIDE ELEVATION
SCALE: 1/2"=1'-0"



B-1, 9 BOYD STREET, STAIRS 2,4-3 SIM
B-2, 20 MAYO STREET, STAIRS 6, 8-1 SIM
LEFT SIDE ELEVATION
SCALE: 1/2"=1'-0"



B-1, 9 BOYD STREET, STAIRS 2,4-3 SIM
B-2, 20 MAYO STREET, STAIRS 6, 8-1 SIM
STAIR THRU STAIRS
SCALE: 1/2"=1'-0"

GTA.2 architects
222 ST JOHN STREET
TOWER X
portland, maine 04102
207-771-5461

ISSUED

revisions
date
1.13.2017

sheet title
B1 NORTH, STR 2,3,4
9 BOYD STREET
B2, STR 6,7,8
20 MAYO STREET

STAIR PLANS
STAIR SECTION
STAIR ELEVATIONS

scale
AS NOTED
drawn by
SMT
project number
1622

sheet number
A.4