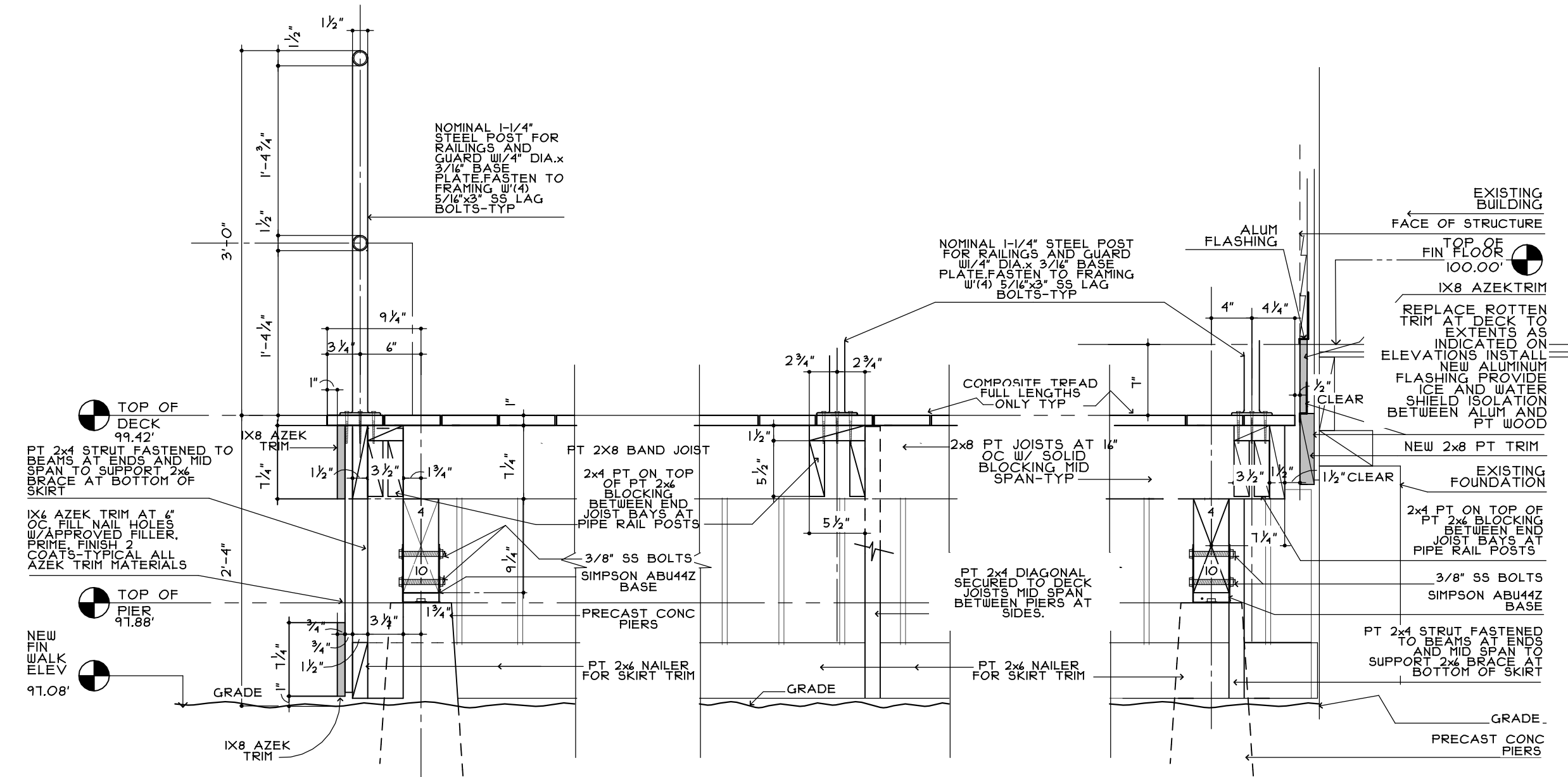


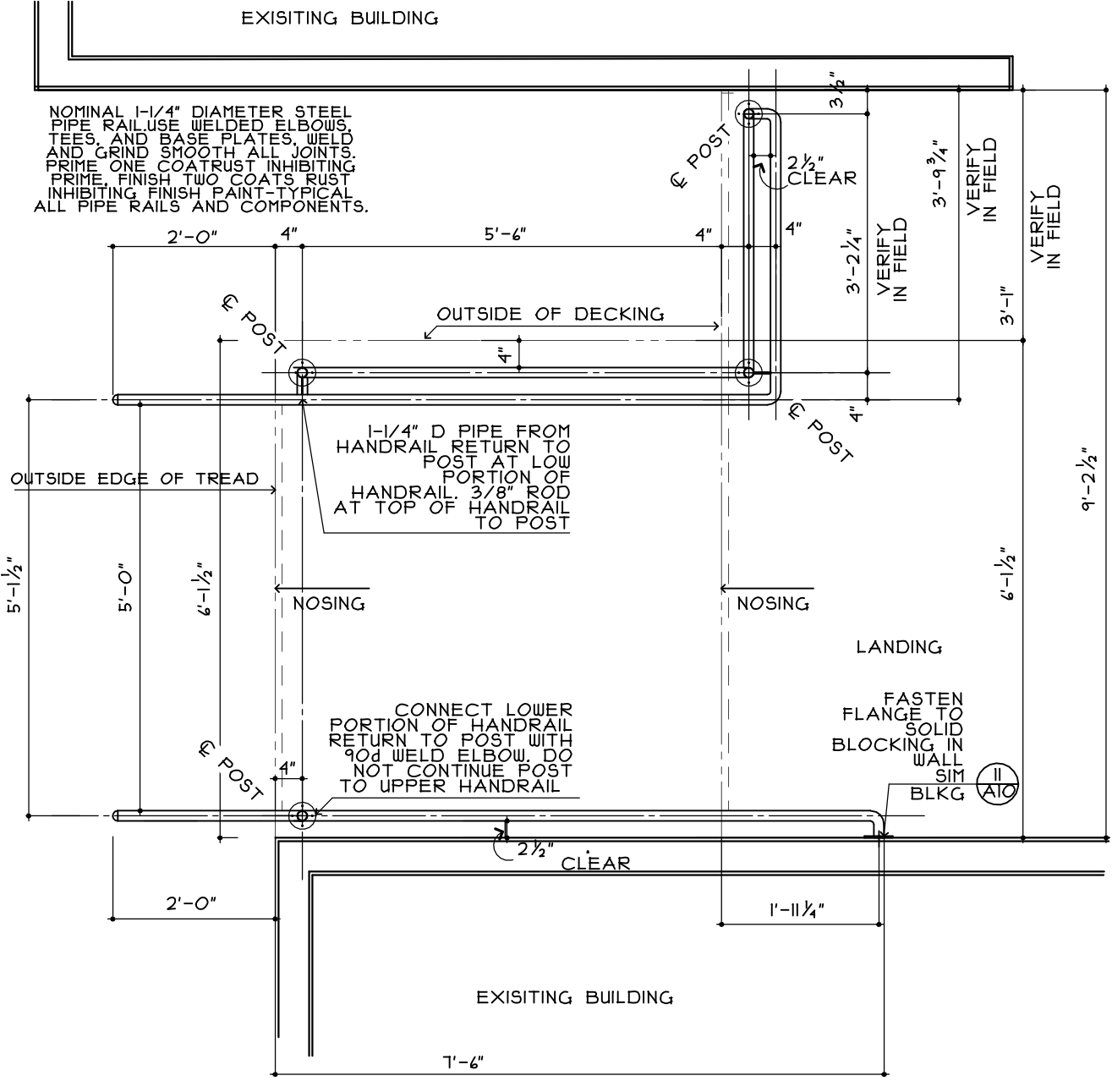
GRADE VARIES, CONTRACTOR TO VERIFY GRADES AND ACTUAL CONDITIONS IN FIELD. ADJUST GRADES AT STAIRS TO ALLOW NEW PAVEMENT TO ALIGN WITH NEW STAIRS AS SHOWN ON DRAWINGS. GRADES IN OTHER AREAS NOT TO EXCEED 3/8\"/>

16 APRON DETAIL AT SMALL DECK-RIGHT SIDE SIMILAR
SCALE: 1\"/>

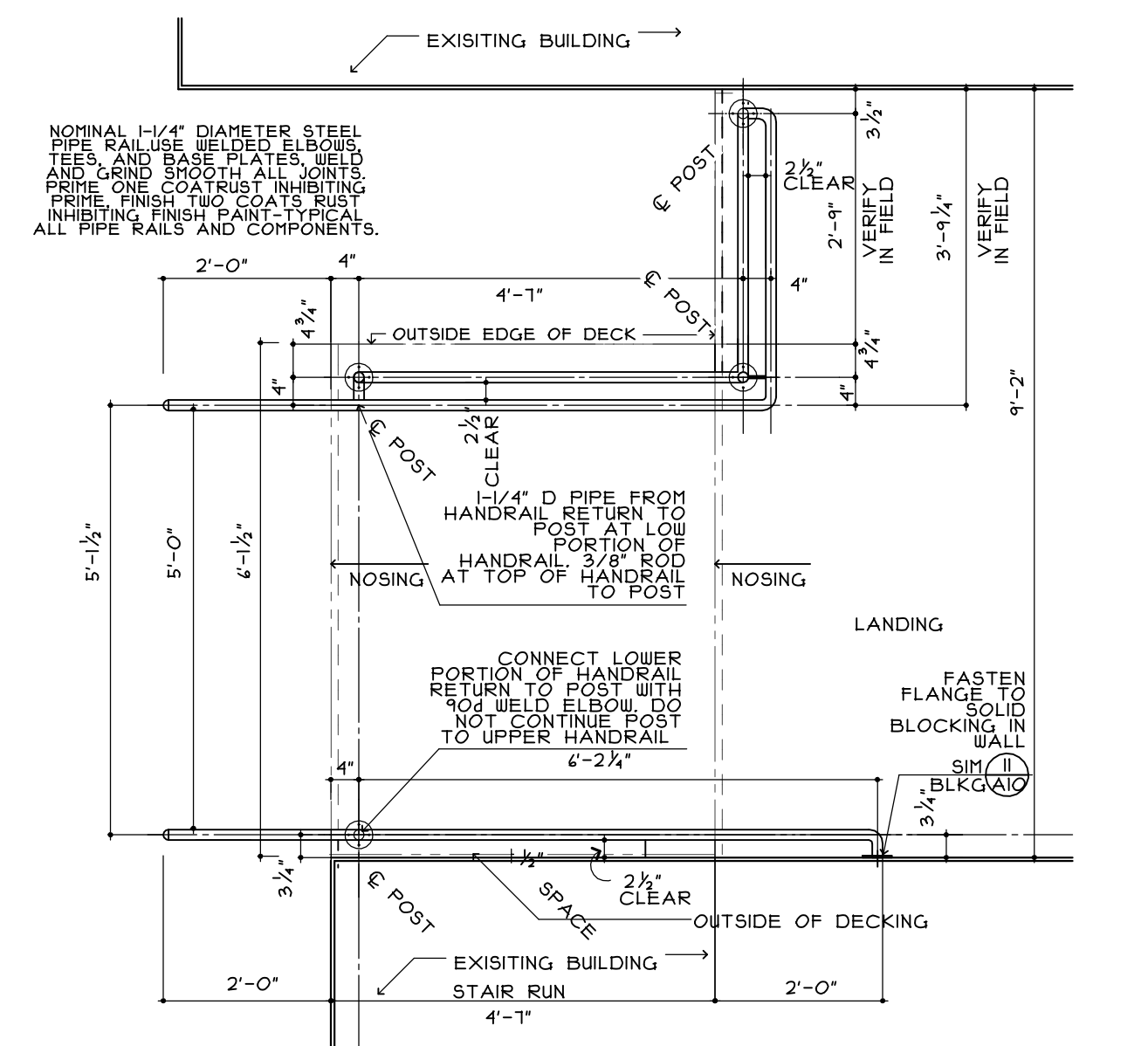


GRADE VARIES, CONTRACTOR TO VERIFY GRADES AND ACTUAL CONDITIONS IN FIELD. ADJUST GRADES AT STAIRS TO ALLOW NEW PAVEMENT TO ALIGN WITH NEW STAIRS AS SHOWN ON DRAWINGS. GRADES IN OTHER AREAS NOT TO EXCEED 3/8\"/>

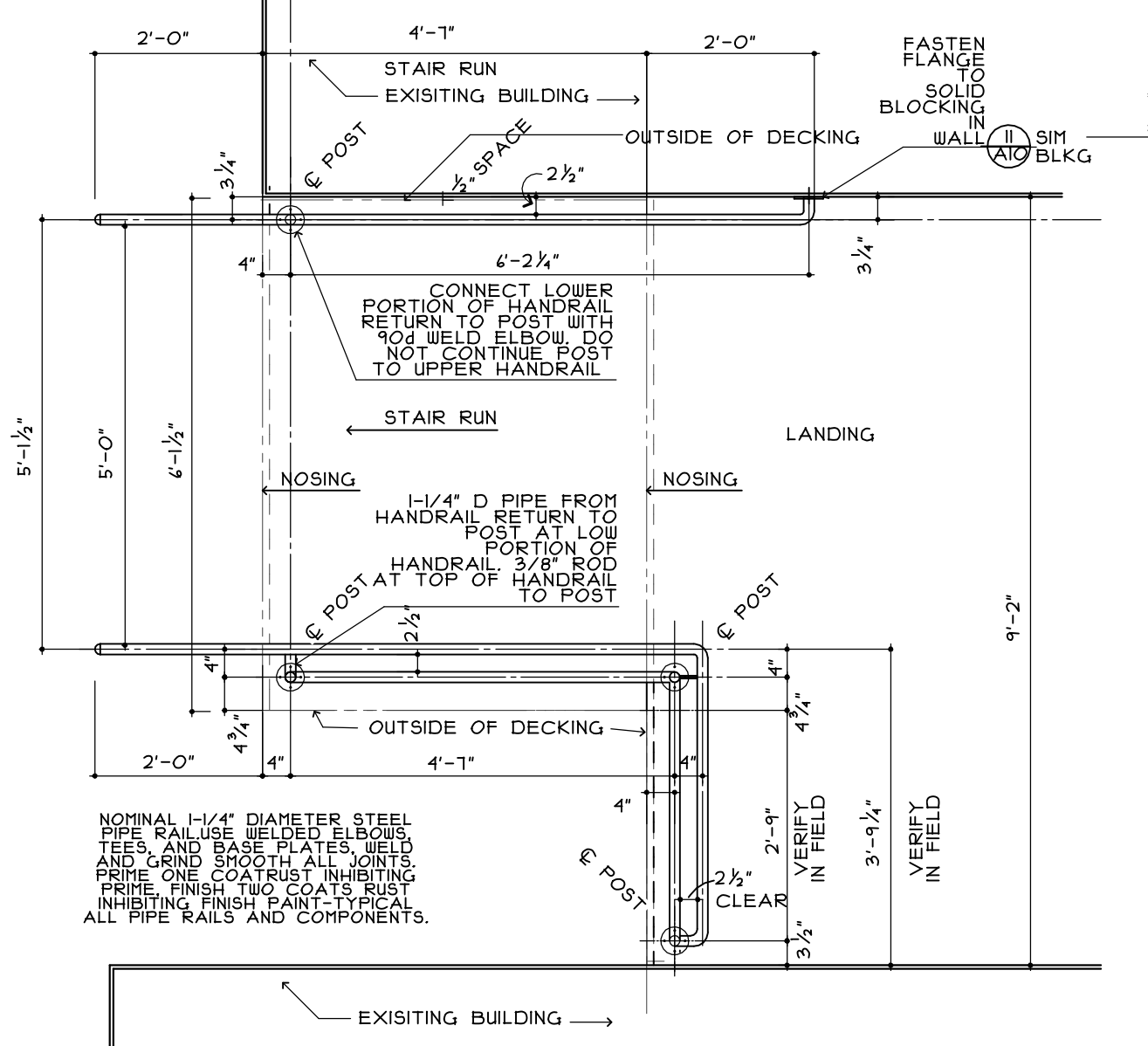
15 APRON DETAIL AT SMALL DECK
SCALE: 1\"/>



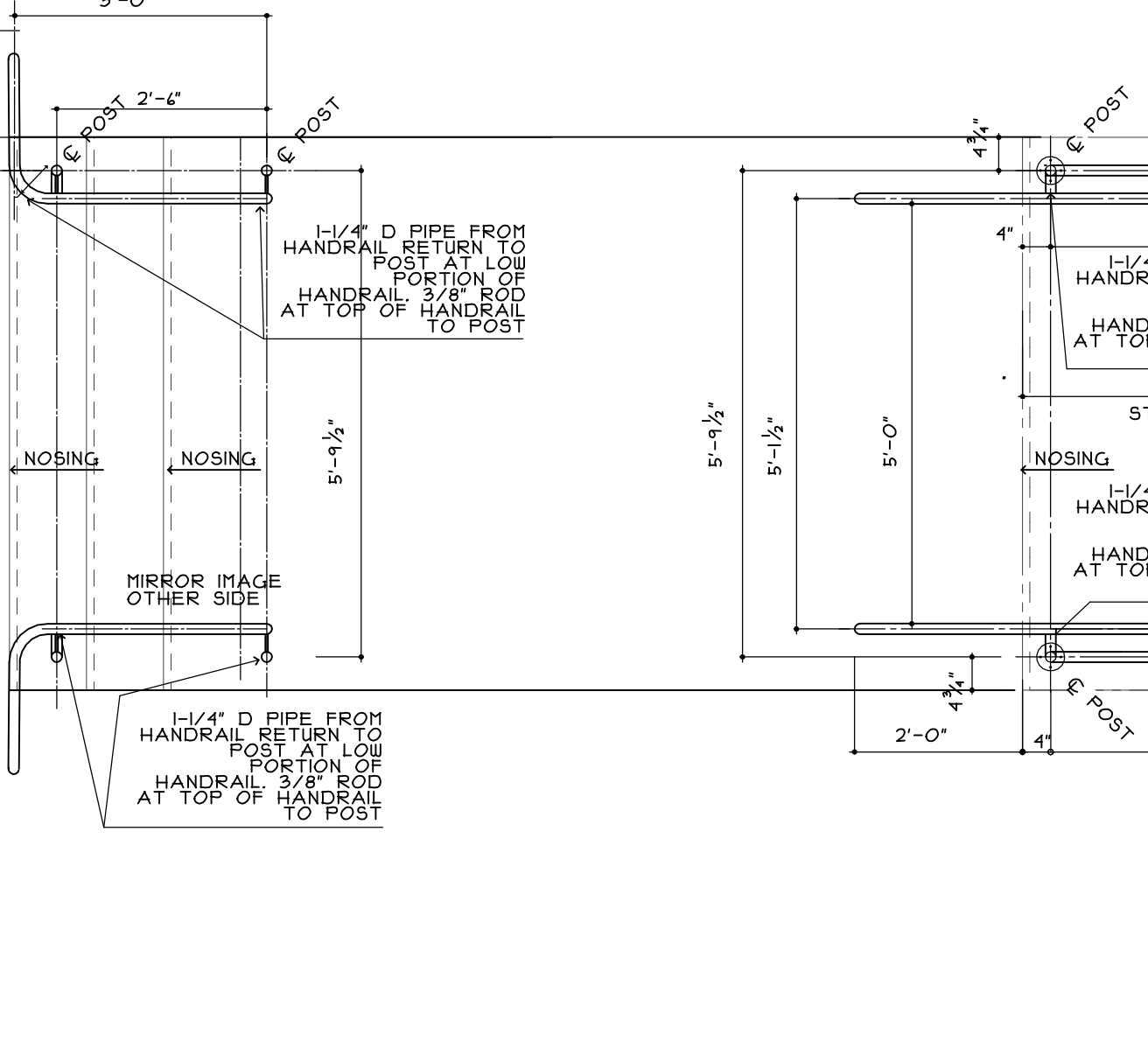
D RAIL LAYOUT STAIR #10
SCALE: 1/2\"/>



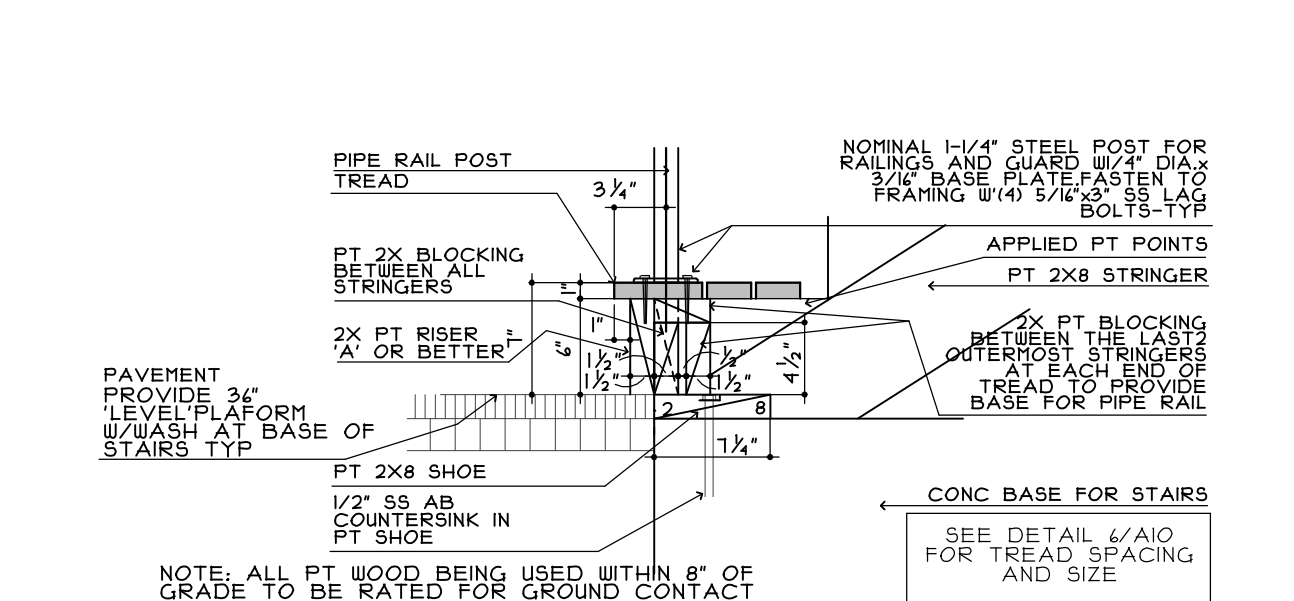
C RAIL LAYOUT STAIR #10
SCALE: 1/2\"/>



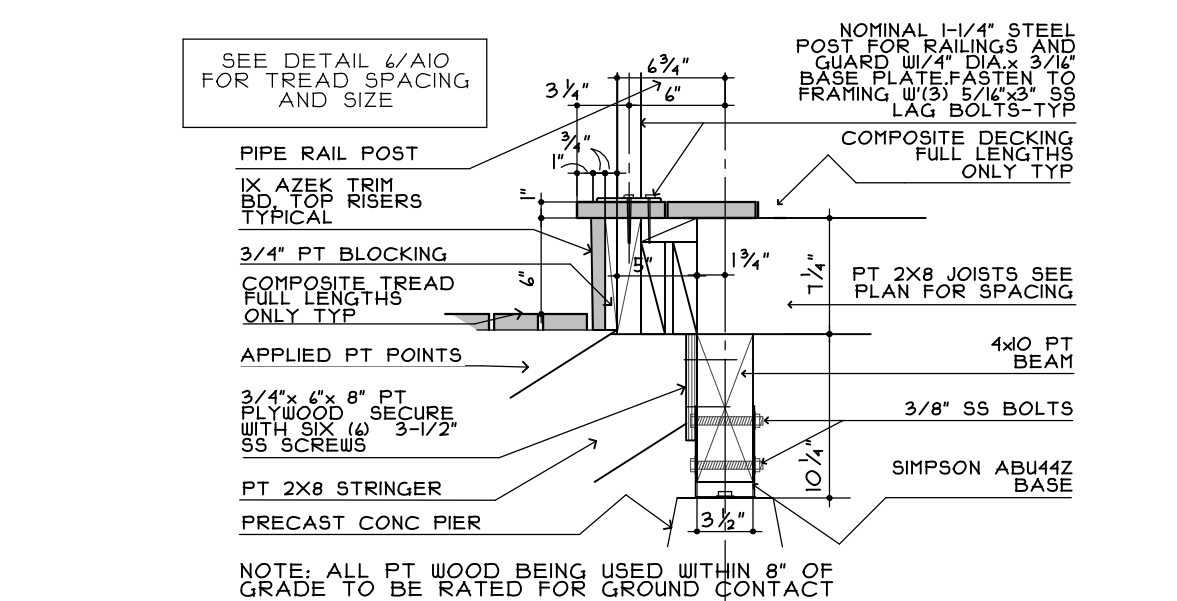
B RAIL LAYOUT STAIR #5
SCALE: 1/2\"/>



A RAIL LAYOUT STAIR #1
SCALE: 1/2\"/>



19 BASE OF STRINGER DETAIL AT SMALL DECKS
SCALE: 1\"/>



18 TOP OF STRINGER DETAIL AT SMALL DECKS
SCALE: 1\"/>

GTA.2 architects
222 ST JOHN STREET
TOWER X
portland, maine 04102
207-771-5461

ISSUED

revisions	
date	1.13.2017
sheet title	DETAILS
scale	AS NOTED
drawn by	SMT
project number	1622
sheet number	A.11