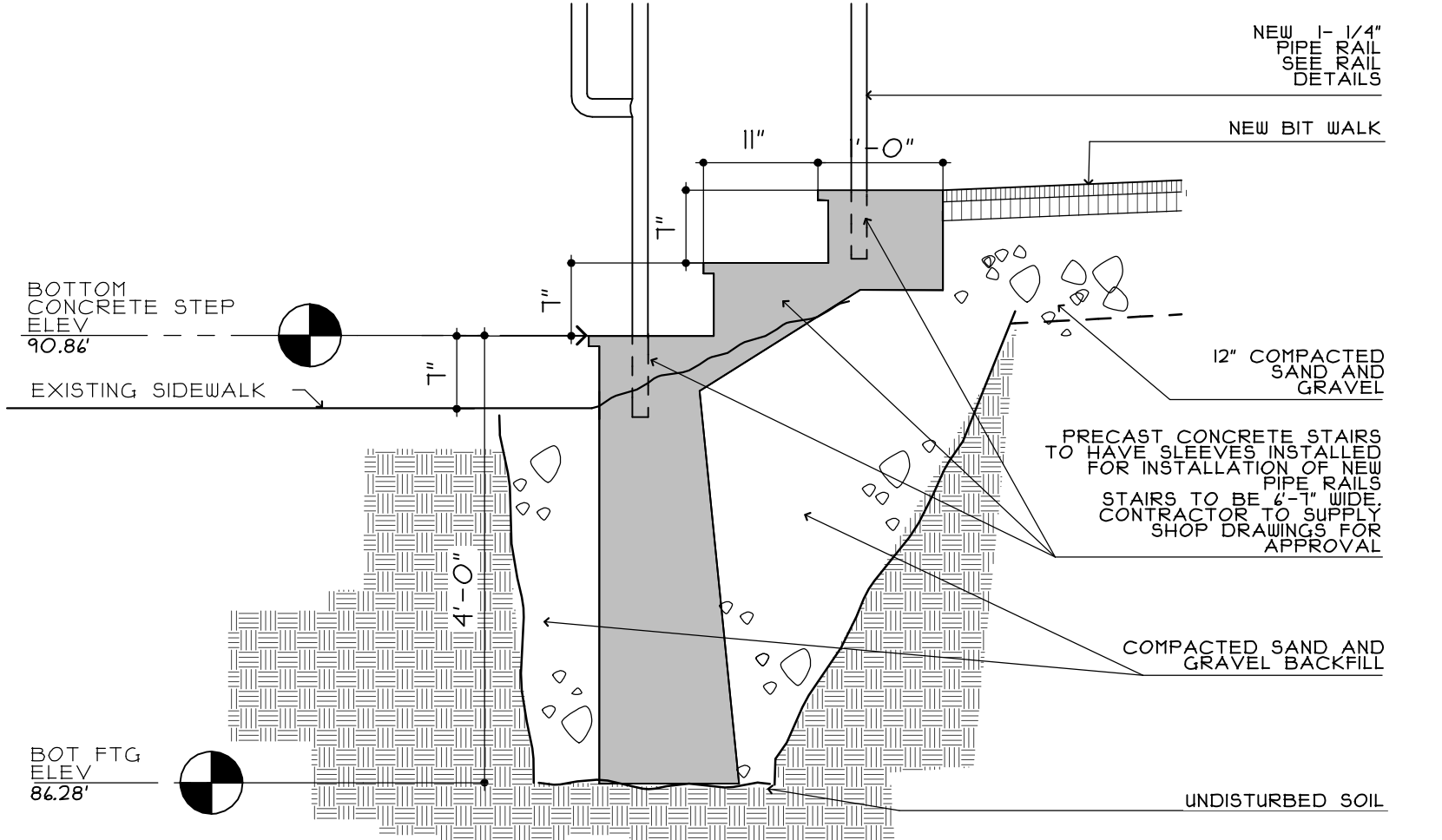
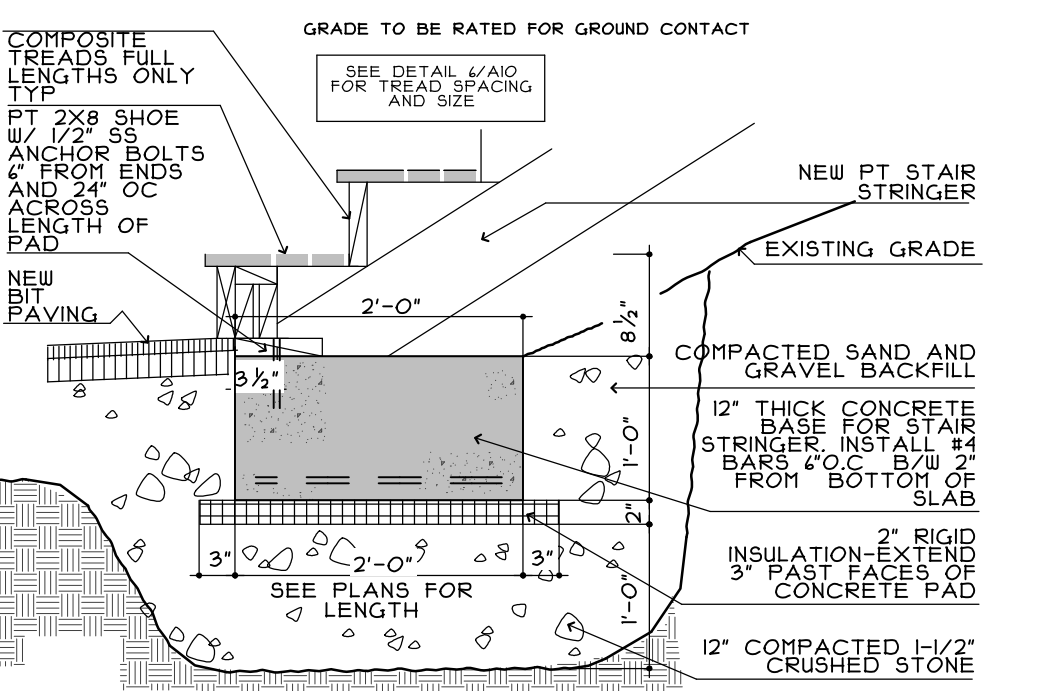


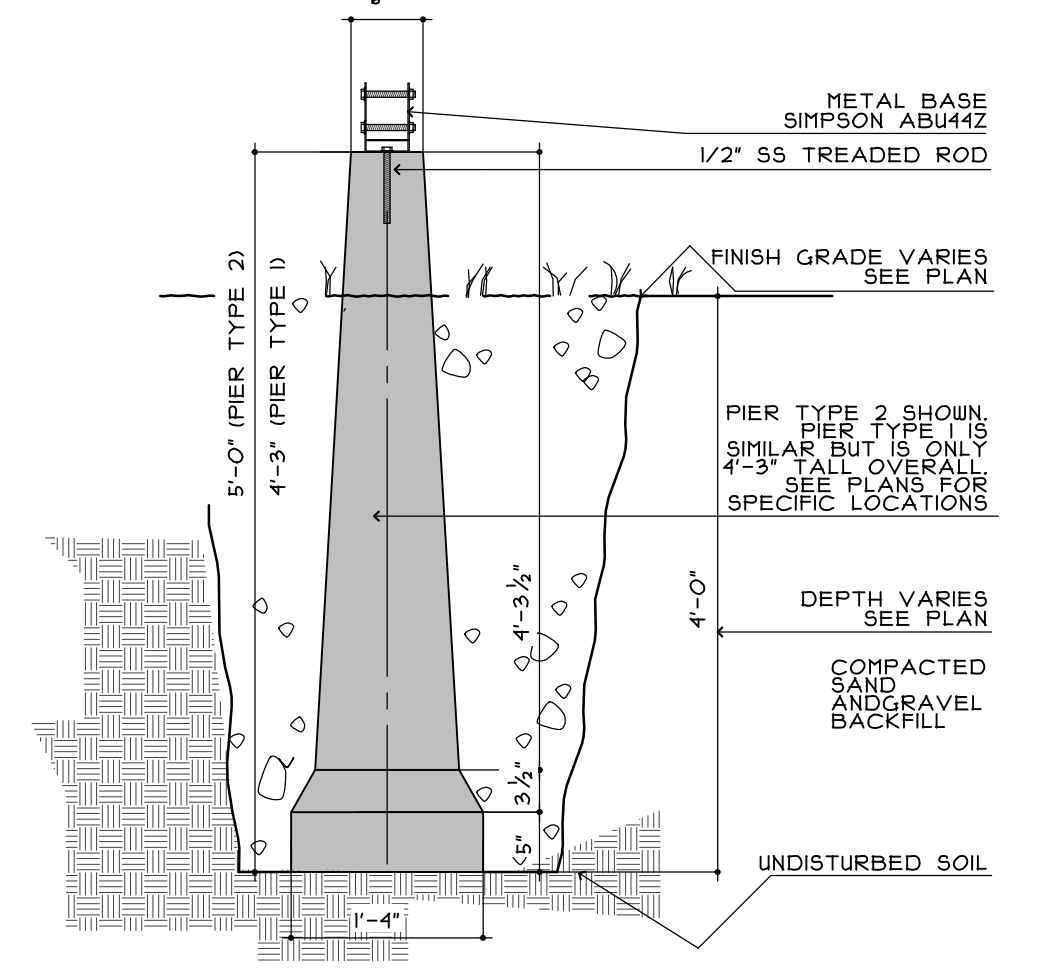
8 STAIR DETAIL AT INTERMEDIATE LANDING  
SCALE: 1/4"=1'-0"



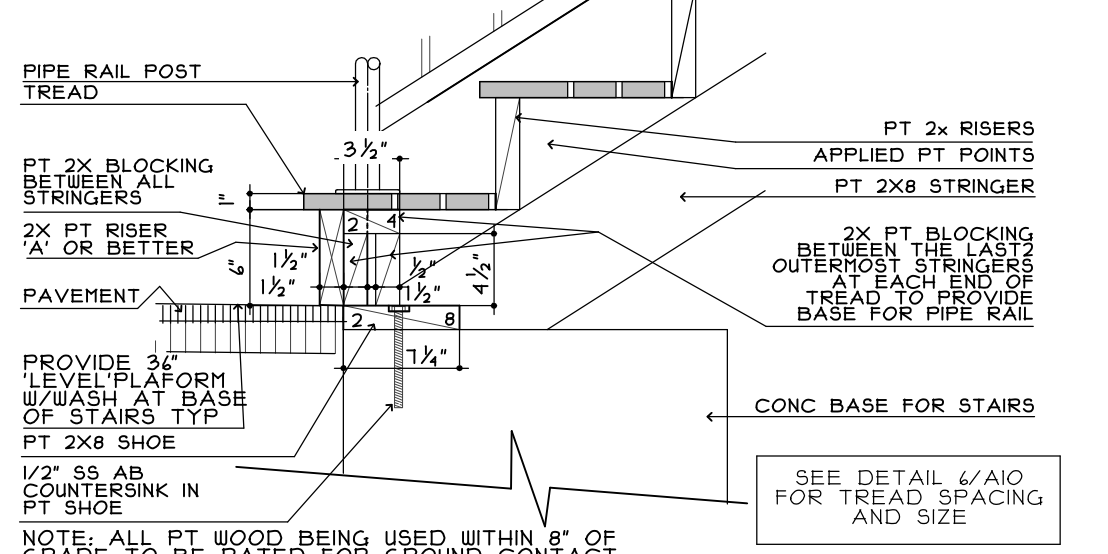
3 PRECAST STAIR DETAIL  
SCALE: 3/4"=1'-0"



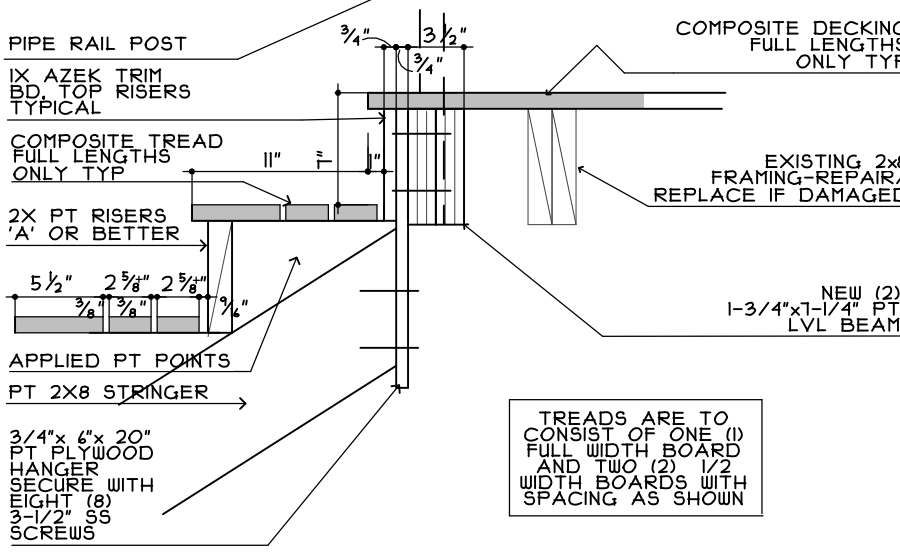
2 PRECAST PIER DETAIL  
SCALE: 3/4"=1'-0"



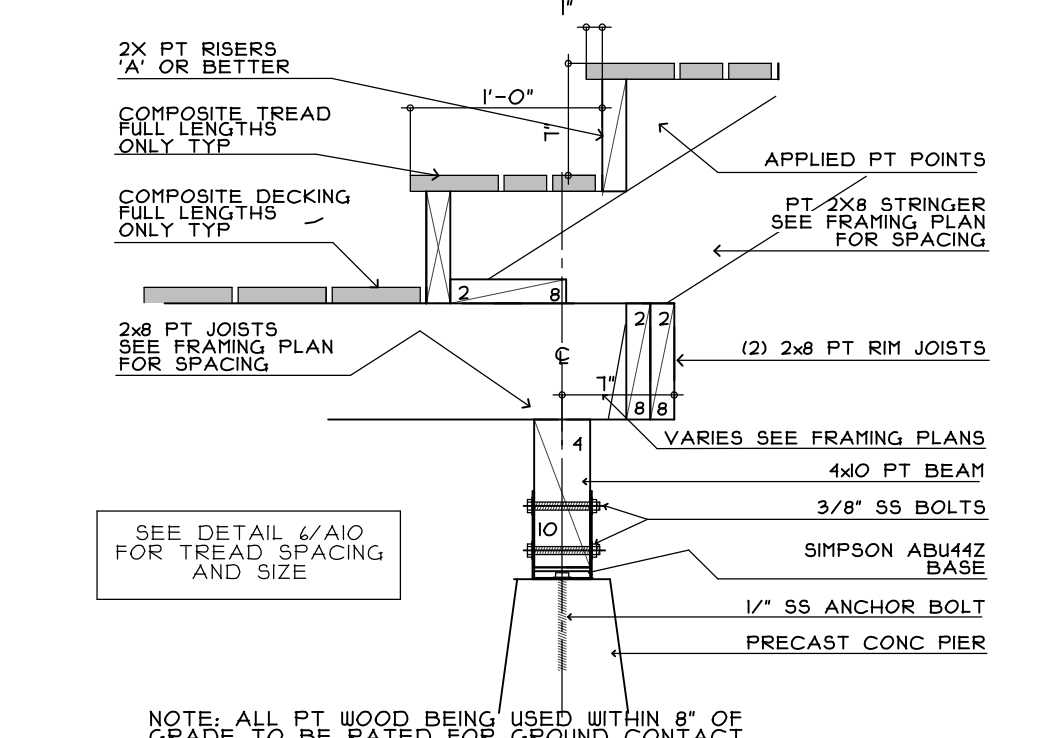
1 PRECAST PIER DETAIL  
SCALE: 3/4"=1'-0"



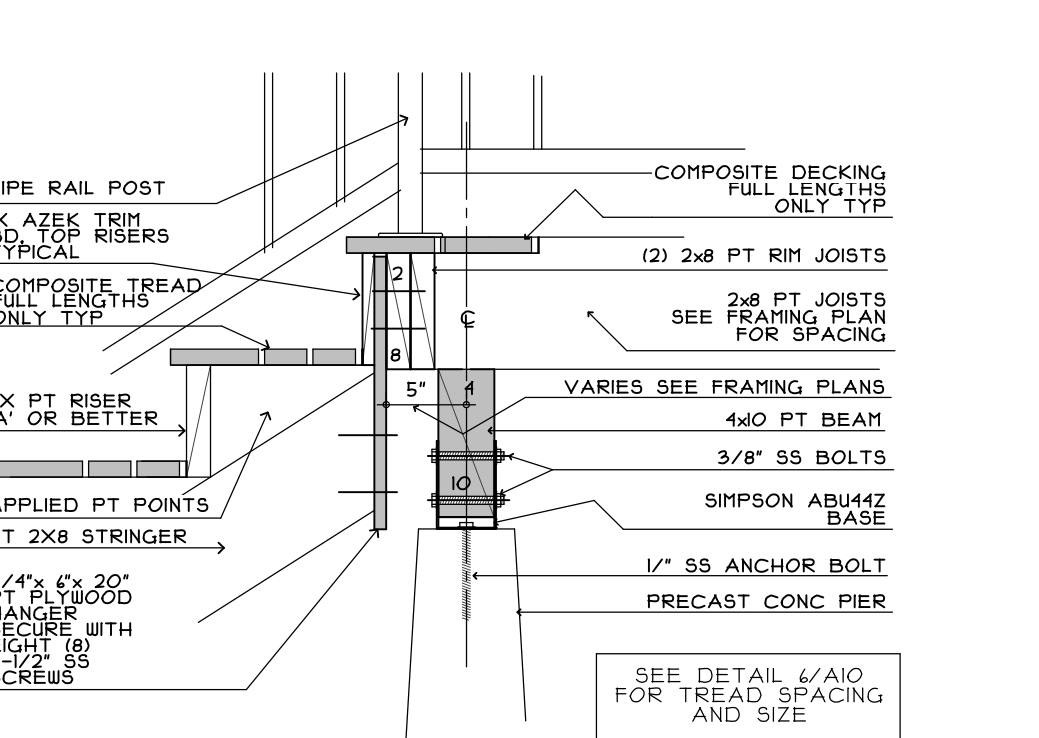
7 STAIR BASE DETAIL AT END OF TREAD  
SCALE: 1/4"=1'-0"



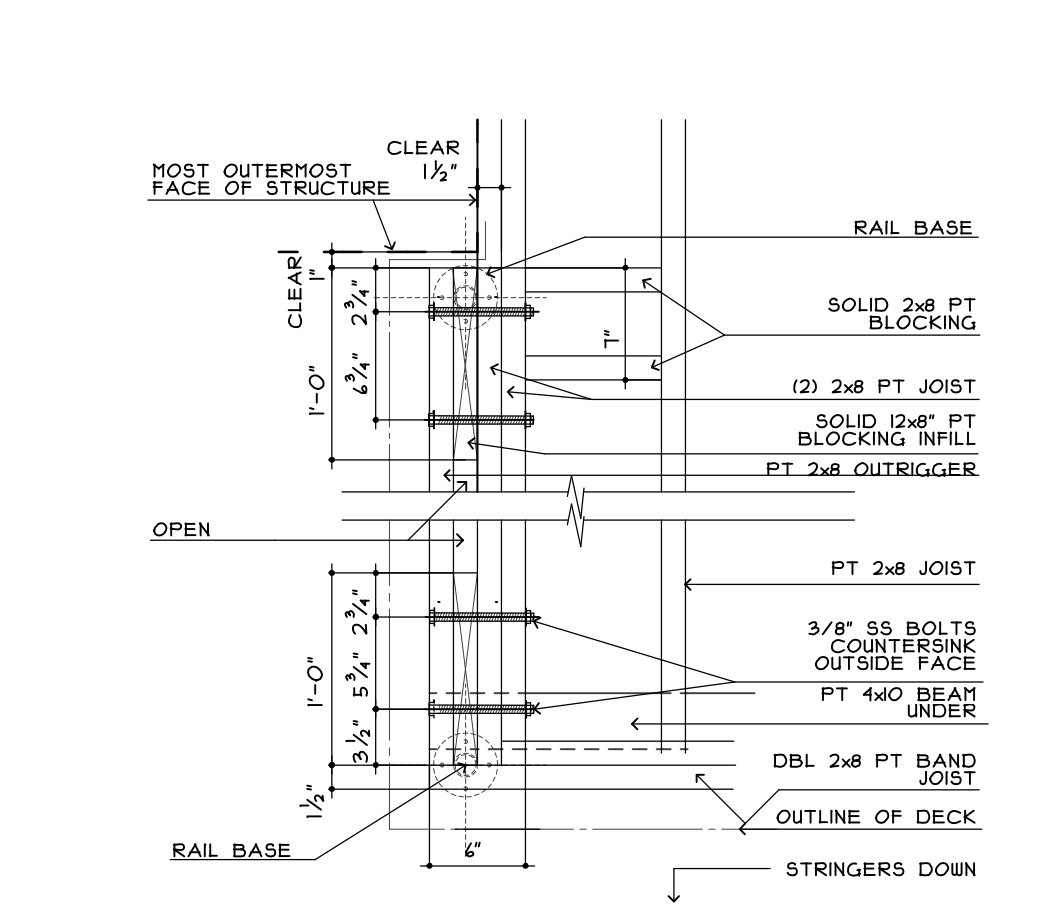
6 STAIR STRINGER DETAIL AT LVL's  
SCALE: 1/4"=1'-0"



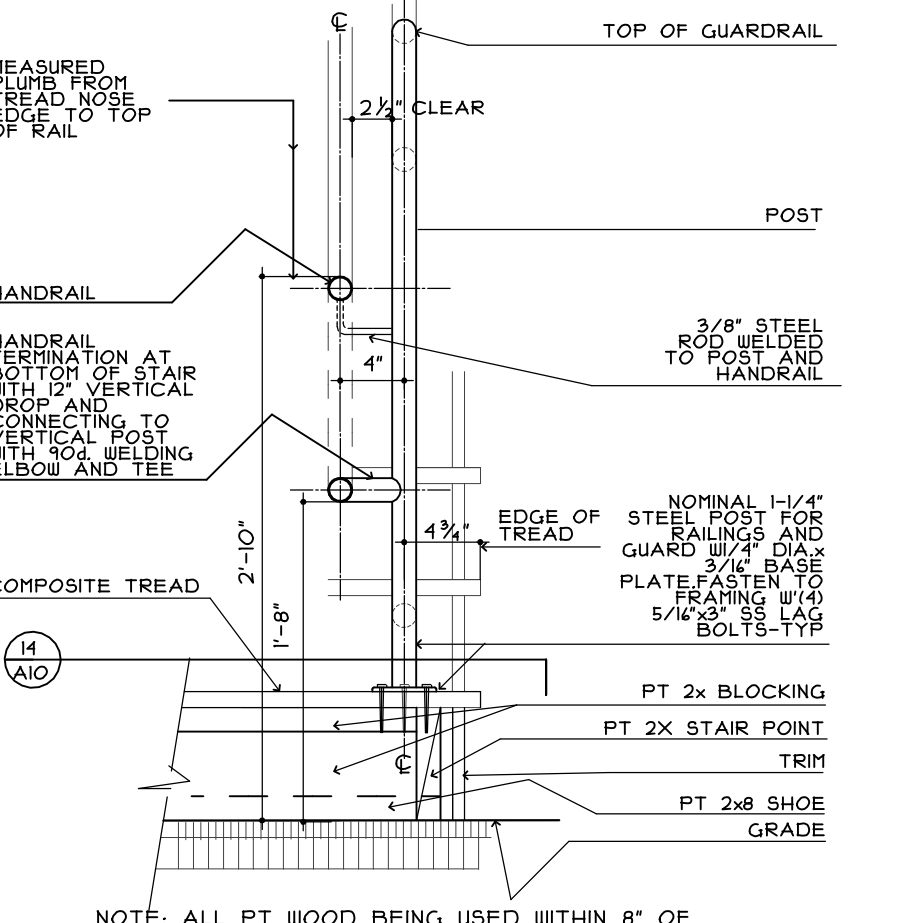
5 STAIR STRINGER DETAIL AT LANDING  
SCALE: 1/4"=1'-0"



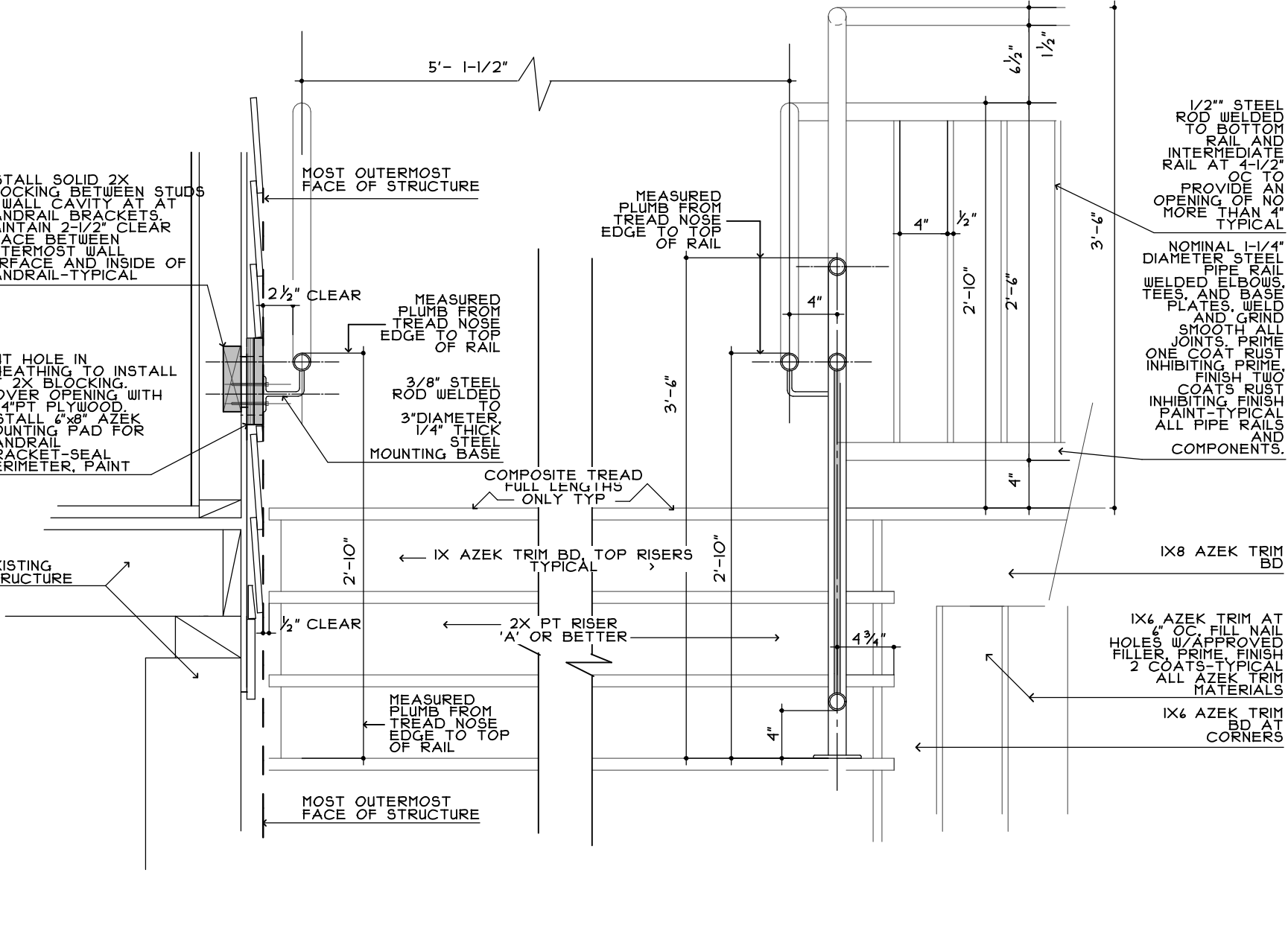
4 STAIR STRINGER DETAIL  
SCALE: 1/4"=1'-0"



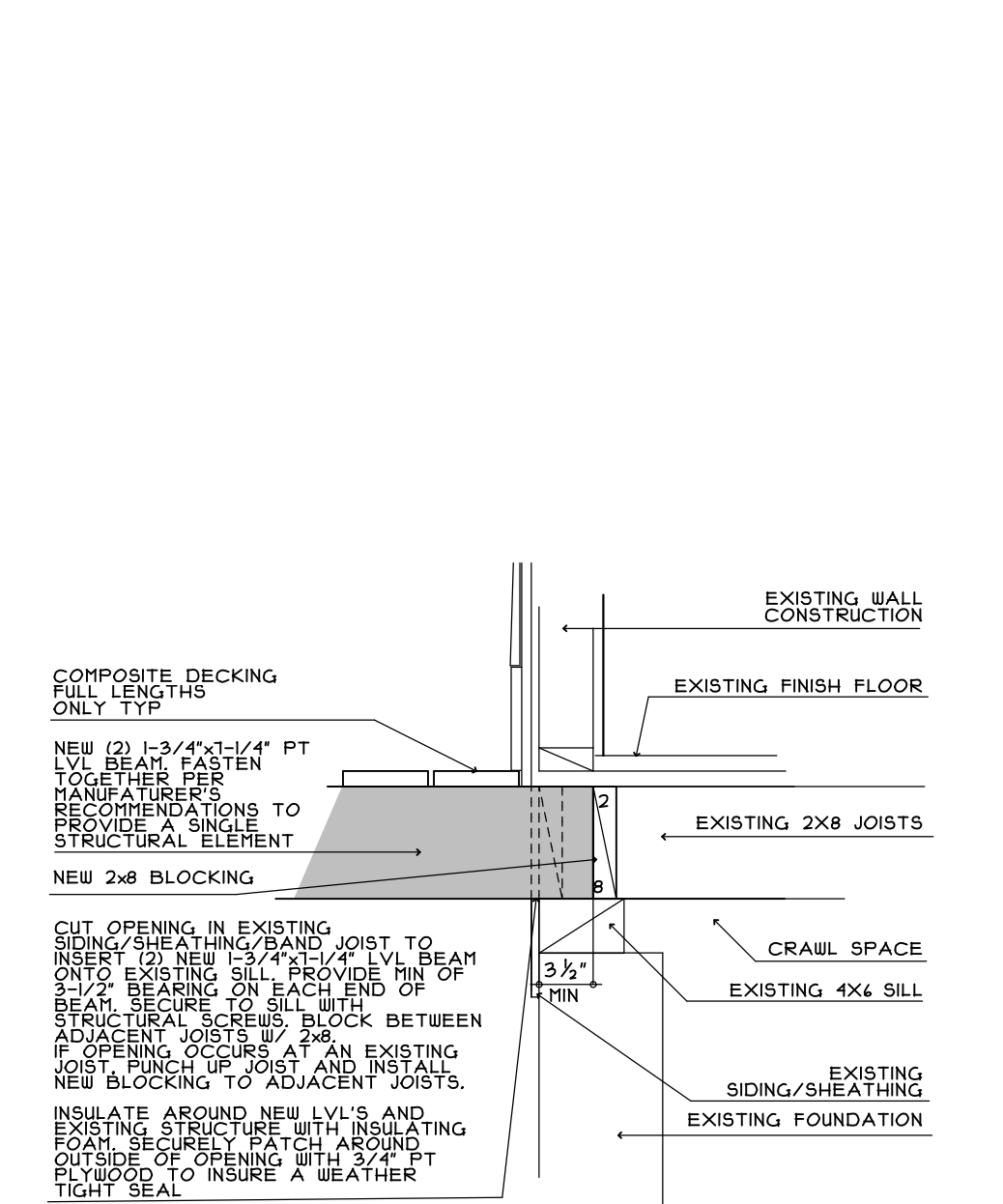
13 FRAMING DETAIL  
SCALE: 1/4"=1'-0"



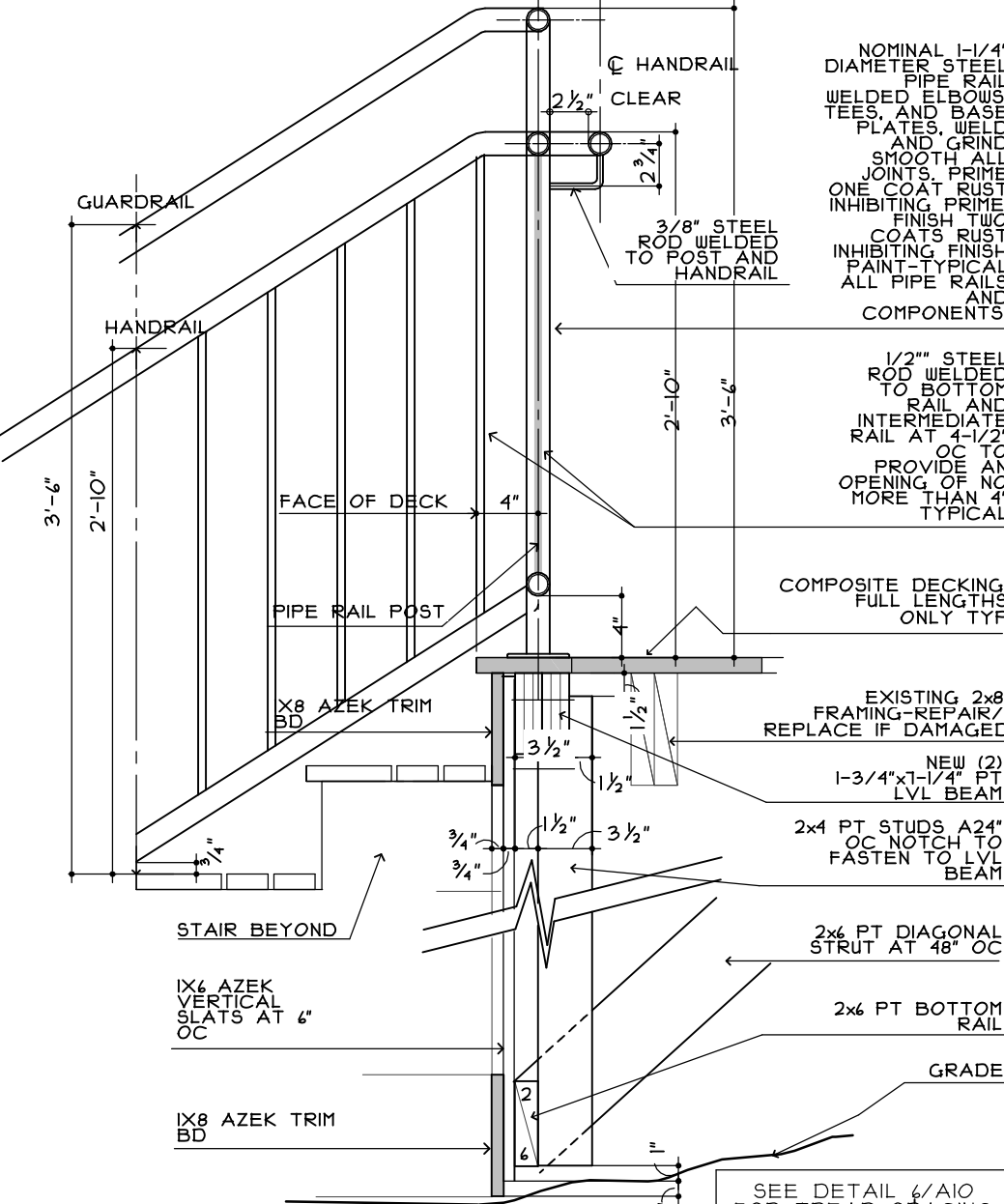
12 RAILING TERMINATION DETAIL  
SCALE: 1/4"=1'-0"



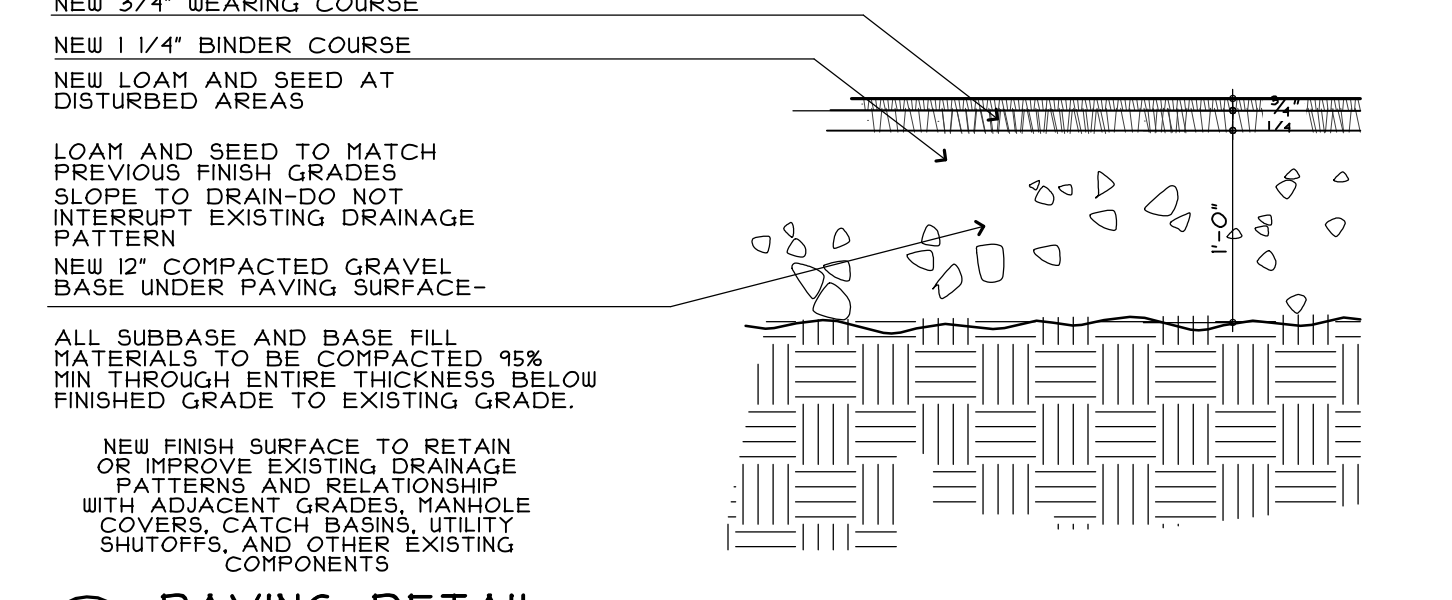
11 STAIR DETAIL RAILINGS  
SCALE: 1/4"=1'-0"



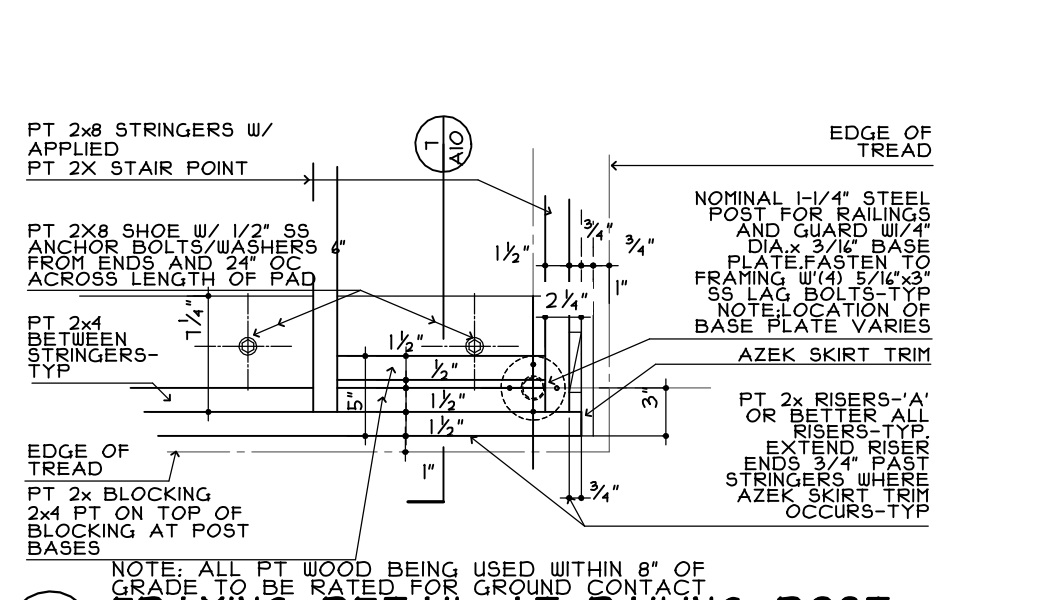
10 LVL CONNECTION DETAIL  
SCALE: 1/4"=1'-0"



9 STAIR DETAIL AT LANDING  
SCALE: 1/4"=1'-0"



15 PAVING DETAIL  
SCALE: 1/4"=1'-0"



14 FRAMING DETAIL AT RAILING POST  
SCALE: 1/4"=1'-0"