

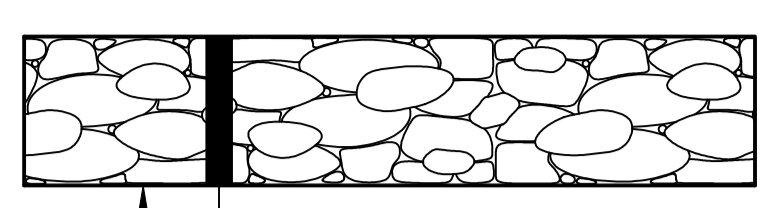
RANSOM
Consulting, Inc.
Ransom Consulting, Inc.
400 Commercial Street, Suite 404
Portland, Maine 04101
207-772-2891

DESIGNER
58 BOYD STREET, LP
14 BAXTER BLVD
PORTLAND, MAINE 04101

PROJECT
58 BOYD STREET
APARTMENTS
58 BOYD STREET
PORTLAND, MAINE 04101

AWINING
CIVIL DETAILS
CWS PROJECT NUMBER: 15-021

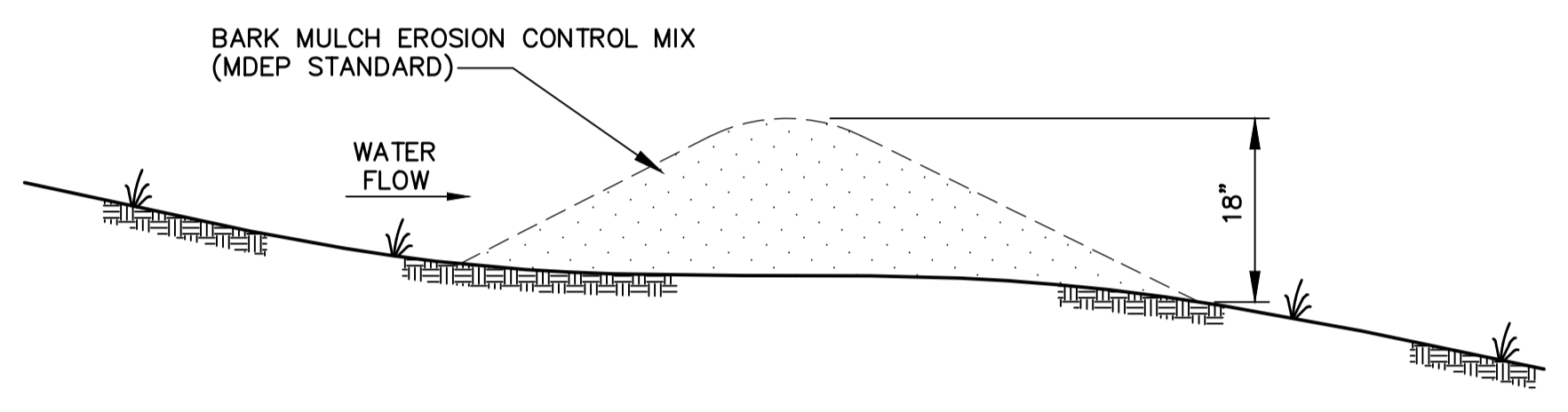
REVISIONS



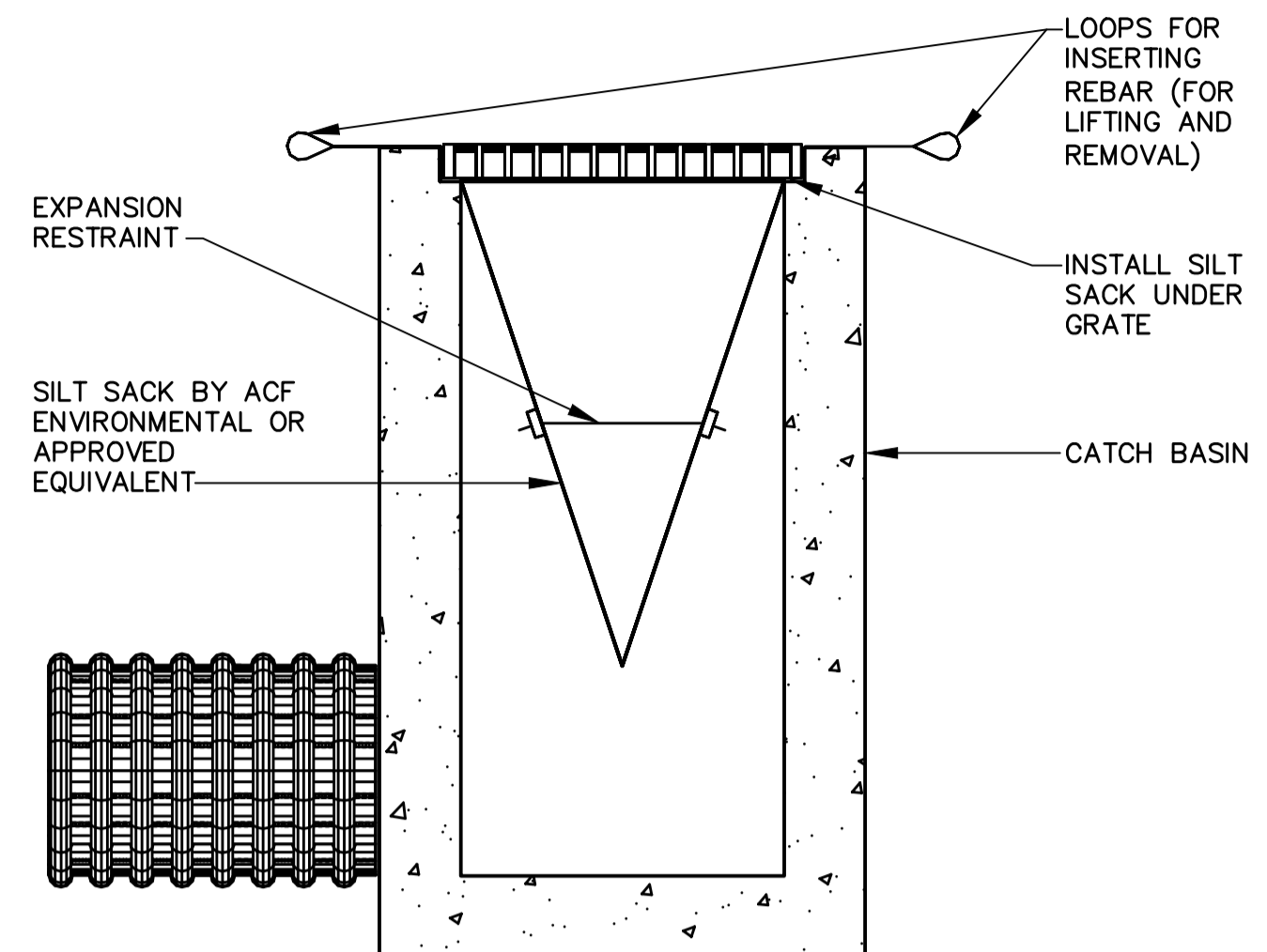
RIP RAP 15" THICK d50=6" *
NO80 NON-WOVEN
GEOTEXTILE FABRIC OR EQUAL

* RIP RAP TO CONSIST OF ROUNDED NATURAL STONE (SCREENINGS)
** SEE PLANS FOR SHAPE, SIZE & GRADING OF ENERGY DISSIPATORS/PLUNGE POOLS

ENERGY DISSIPATER/PLUNGE POOL DETAIL
NOT TO SCALE

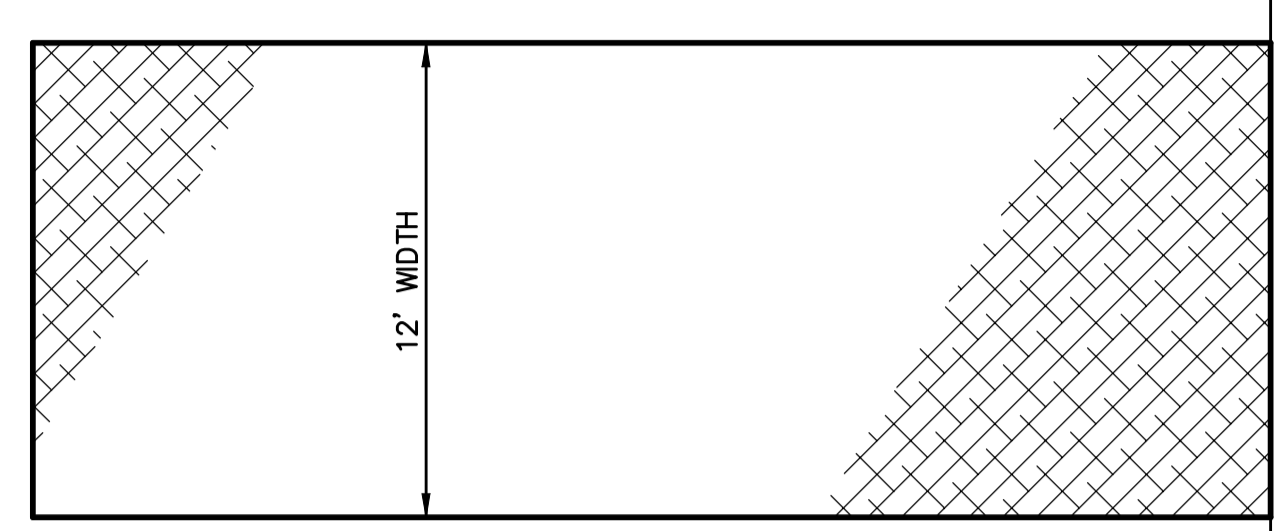
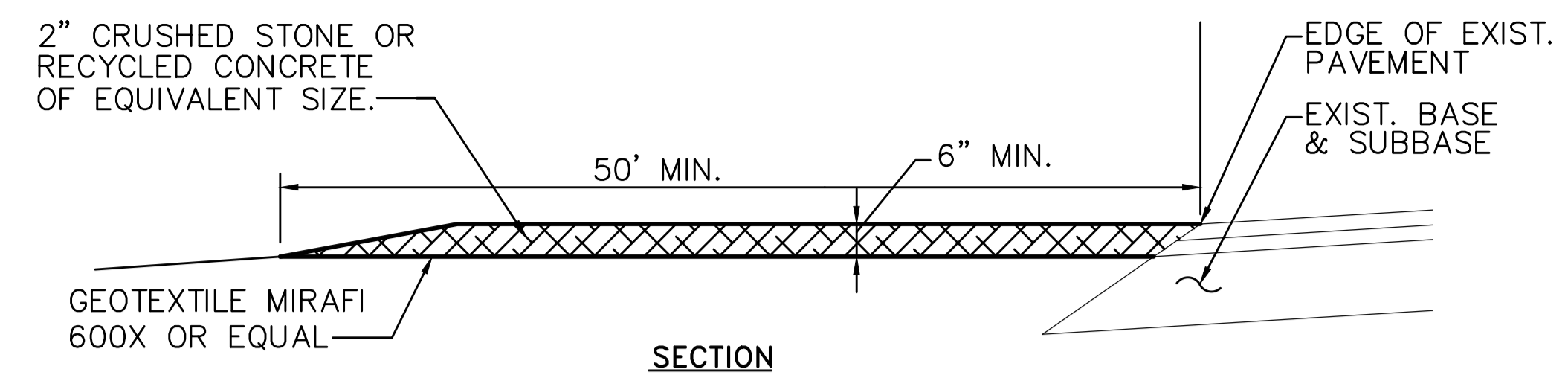


MULCH BERM DETAIL
NOT TO SCALE



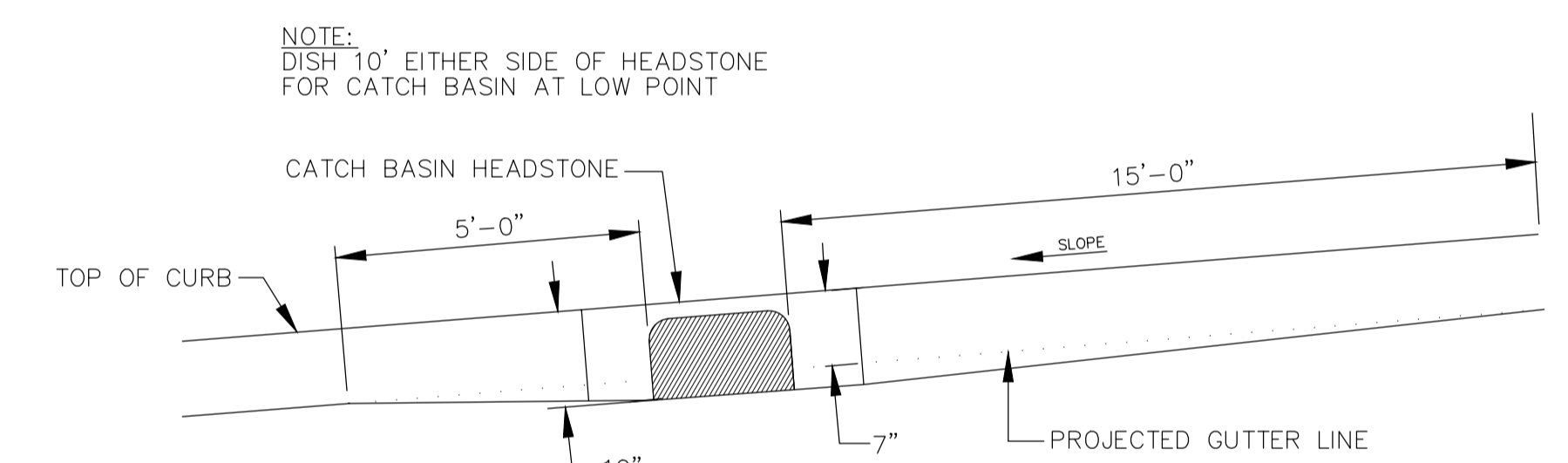
- NOTES:
1. INSTALL SILTSACK PER MANUFACTURER'S RECOMMENDATIONS.
 2. SILTSACKS SHALL BE CHECKED FOR SEDIMENT LEVEL AND OVERALL CONDITION IMMEDIATELY AFTER EVERY RAIN EVENT AND AT LEAST EVERY DAY DURING PROLONGED RAINFALL.
 3. SEDIMENT SHALL BE REMOVED WHEN THE SEDIMENT HAS ACCUMULATED TO 1/2 THE DESIGN DEPTH OF THE SILTSACK. REMOVED SEDIMENT SHALL BE DEPOSITED IN A SUITABLE AREA AND IN SUCH A MANNER THAT WILL NOT ERODE.
 4. SEDIMENT SHALL ONLY BE REMOVED BY REMOVING THE SILTSACKS FROM THE CATCH BASINS ACCORDING TO MANUFACTURER RECOMMENDATIONS.
 6. CARE SHALL BE TAKEN TO AVOID SPILLING SEDIMENT WHILE REMOVING THE SILTSACK.
 7. ANY DAMAGED SILTSACK SHALL BE REPLACED WITH A NEW SILTSACK.

INLET PROTECTION - SILT SACK
NOT TO SCALE

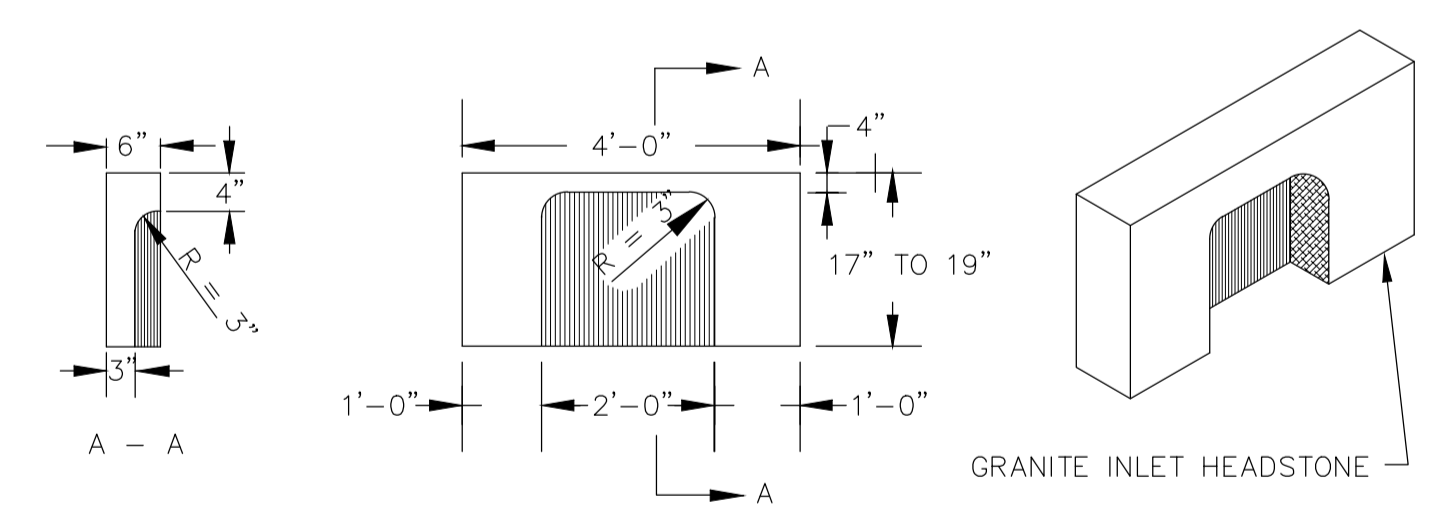


- NOTES:
1. MAINTAIN ENTRANCE IN A CONDITION THAT WILL PREVENT TRACKING OF SEDIMENT ONTO PUBLIC RIGHT OF WAY. IF WASHING IS REQUIRED PREVENT SEDIMENT FROM ENTERING WATERWAYS, DITCHES OR STORM DRAINS.
 2. REMOVE STABILIZED CONSTRUCTION ENTRANCE TO FINISH ROAD CONSTRUCTION & PAVEMENT.

STABILIZED CONSTRUCTION ENTRANCE
NOT TO SCALE



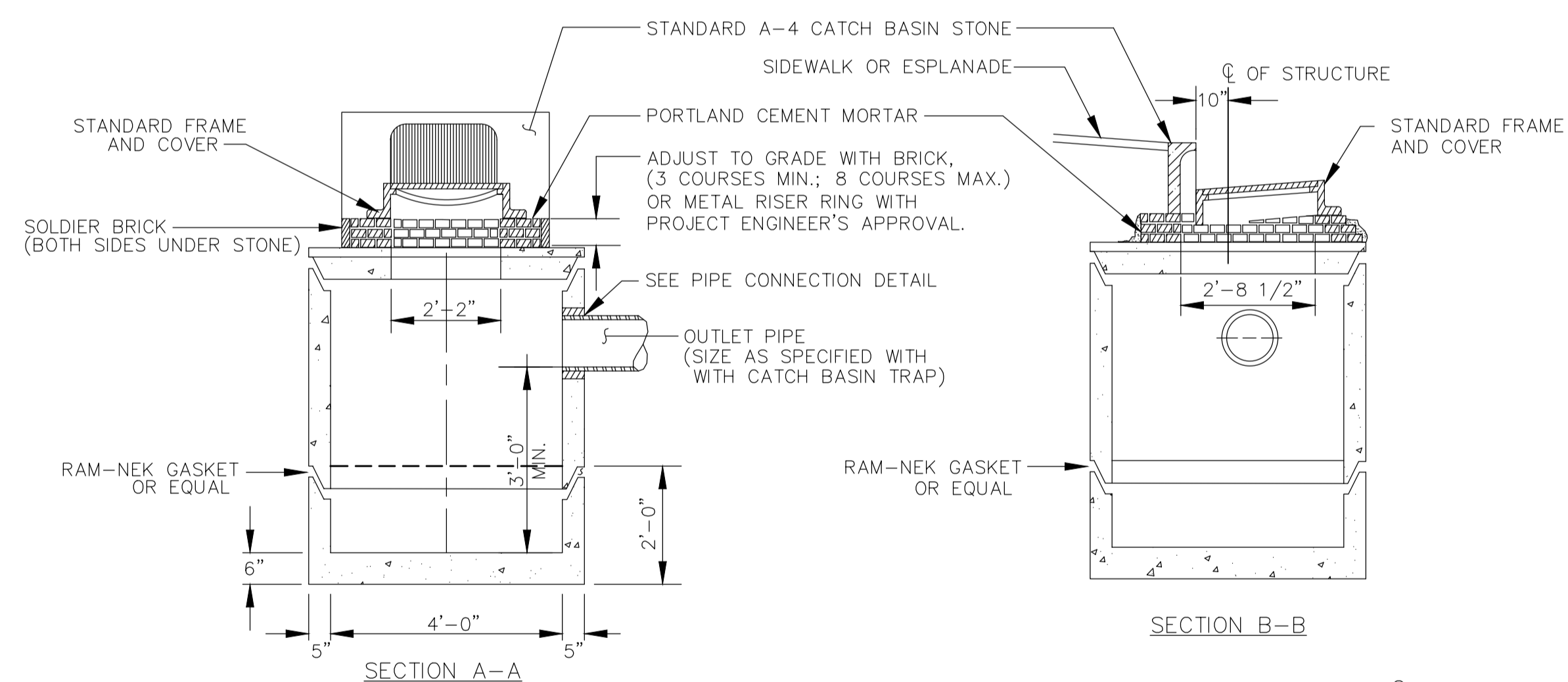
TYPICAL PAVEMENT GRADING ON SLOPES FOR CATCH BASIN AND INLET
NOT TO SCALE



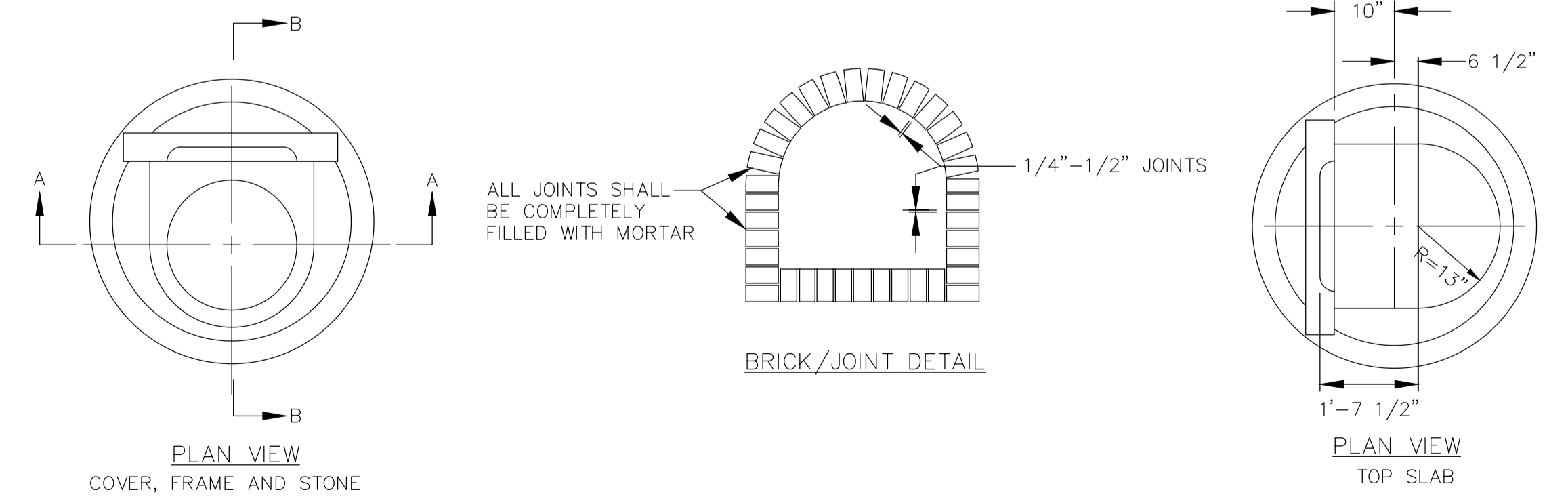
4' GRANITE HEADSTONE FOR CATCH BASIN INLET
NOT TO SCALE

GENERAL NOTES FOR MANHOLES AND CATCH BASINS

1. ALL CONCRETE SHALL HAVE A MINIMUM ULTIMATE COMPRESSIVE STRENGTH OF 4000 LBS. PER SQ. INCH AT THE END OF 28 DAYS, UNLESS OTHERWISE NOTED.
2. MANHOLES MAY BE CONSTRUCTED OF PRECAST REINFORCED CONCRETE, OR CAST IN PLACE.
3. PRECAST REINFORCED CONE BARREL MANUFACTURED PER ASTM SPEC. C-478.
4. ALL STORM AND SEWER MANHOLE COVERS SHALL BE SOLID AND SHALL HAVE ONE 7/8" DIAMETER DRILLED PICK HOLE LOCATED 8" FROM THE CENTER OF THE COVER.
5. ALL SANITARY MANHOLE COVERS SHALL HAVE "SEWER" CAST INTO THE COVER. ALL STORMWATER/DRAIN MANHOLE COVERS SHALL HAVE "DRAIN" CAST INTO THE COVER.
6. ALL MANHOLE RISERS SHALL BE ETHERIDGE 24" OR APPROVED EQUAL.
7. SEWER BRICK SHALL CONFORM TO ASTM SPEC. DESIGNATE ON C-32-63, GRADE MA AND SA.
8. ALL SANITARY MANHOLES SHALL HAVE A WATERPROOFING COATING APPLIED TO THE EXTERIOR SURFACE.
9. CATCH BASIN FRAMES FOR TYPE A4 CATCH BASIN CURB INLETS SHALL BE ETHERIDGE DR5A OR APPROVED EQUAL.
10. CASTINGS SHALL CONFORM TO ASTM DESIGNATION A48-CLASS 35.
11. EXISTING MANHOLES, CATCH BASINS, FRAMES, AND COVERS SHALL BE SALVAGED BY THE CONTRACTOR, AND SHALL REMAIN THE PROPERTY OF THE CITY OF PORTLAND.
12. ALL CATCH BASIN OUTLETS SHALL BE INSTALLED WITH A CASCO TRAP. SEE FIGURE II-09.



PRECAST CONCRETE CATCH BASIN - TYPE "E"
NOT TO SCALE



CITY OF PORTLAND
APPROVED SITE PLAN
Subject to Conditions of Approval
and Standard Conditions

DATE of APPROVAL **November 28, 2017**
PLANNER **Matthew Grodzis**
PROJECT NO. **2017-217**