

C VS ARCHITECTS
ARCHITECTURE | INTERIOR DESIGN
264 US ROUTE ONE, SUITE 100-A
SCARBOROUGH, MAINE 04074
207.774.4441
WWW.CWSARCH.COM

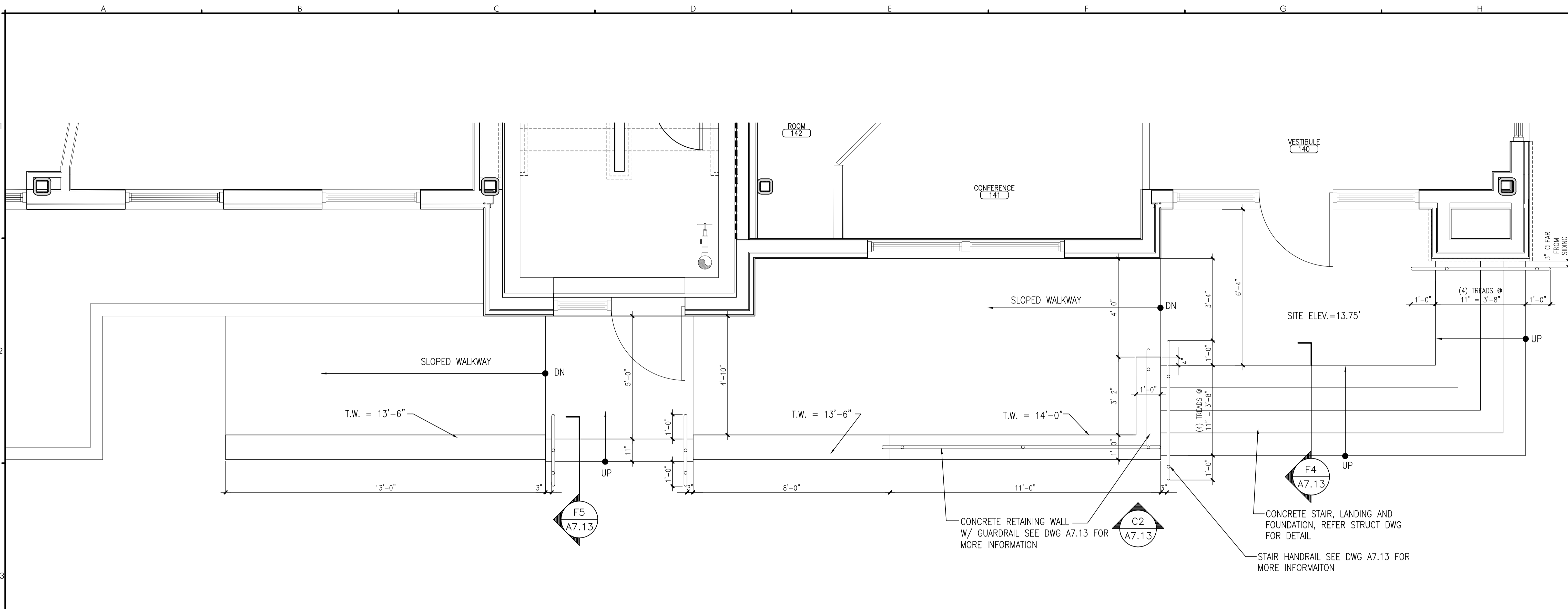
OWNER
58 BOYD STREET, LP
14 BAKER BLVD
PORTLAND, MAINE 04101

PROJECT
58 BOYD STREET APARTMENTS
58 BOYD STREET
PORTLAND, MAINE 04101

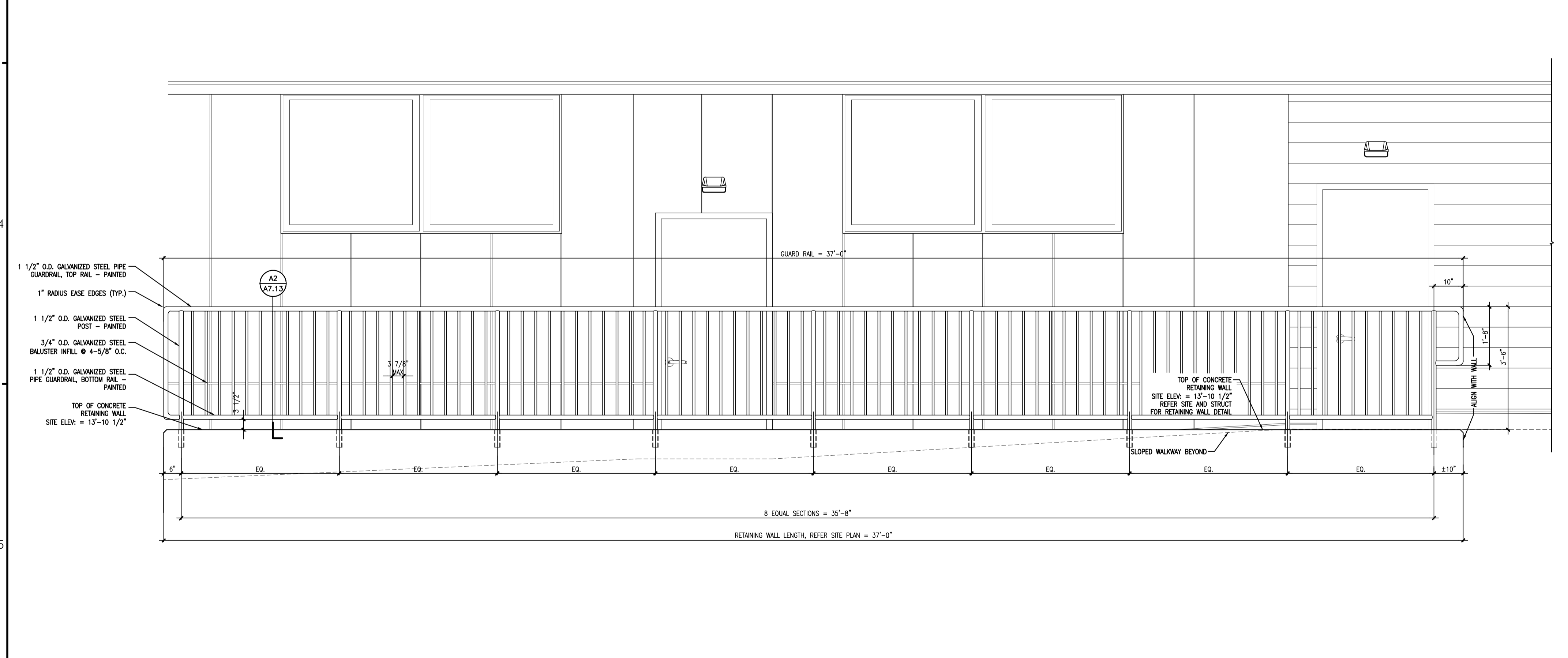
DRAWING
EXTERIOR STAIR AND RAILING DETAILS
CWS PROJECT NUMBER: 15.021

REVISIONS

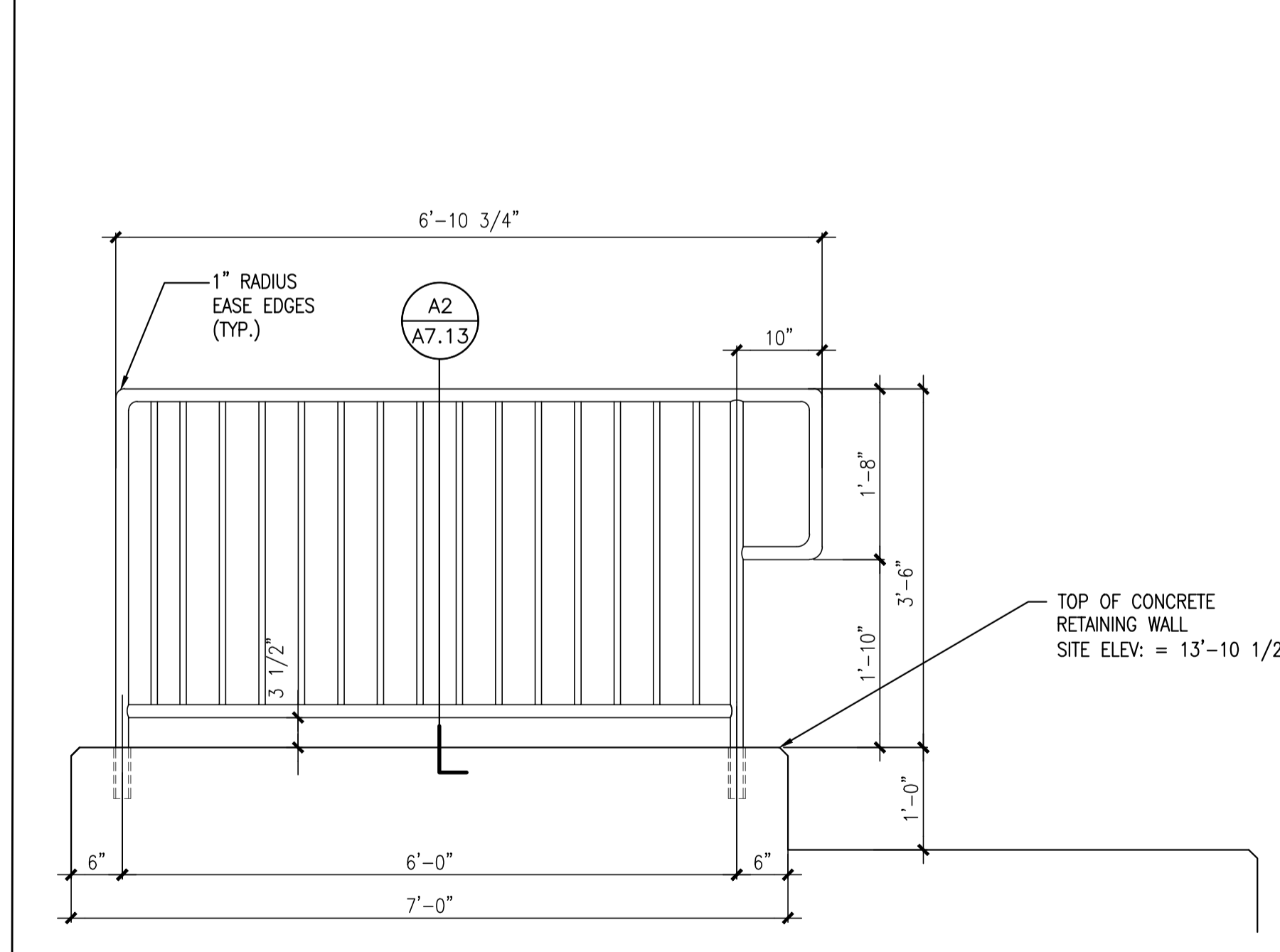
| NO. | DESCRIPTION |
|-----|-------------|
| | |
| | |
| | |
| | |



A4 EXTERIOR STAIR AND HANDRAIL PLAN DETAIL
REFERENCED FROM: A1.10 SCALE: 1/2" = 1'-0"



A5 HANDRAIL AND RETAINING WALL ELEVATION
REFERENCED FROM: A3.02 SCALE: 1/2" = 1'-0"



F5 STAIR SECTION WITH HANDRAIL
REFERENCED FROM: SCALE: 3/4" = 1'-0"

CITY OF PORTLAND APPROVED SITE PLAN
Subject to Conditions of Approval and Standard Conditions
DRAWING NUMBER

DATE of APPROVAL November 28, 2017

PLANNER Matthew Groom

SCALE: AS NOTED DATE: 11/01/2018 PROJECT NO. 2017-217