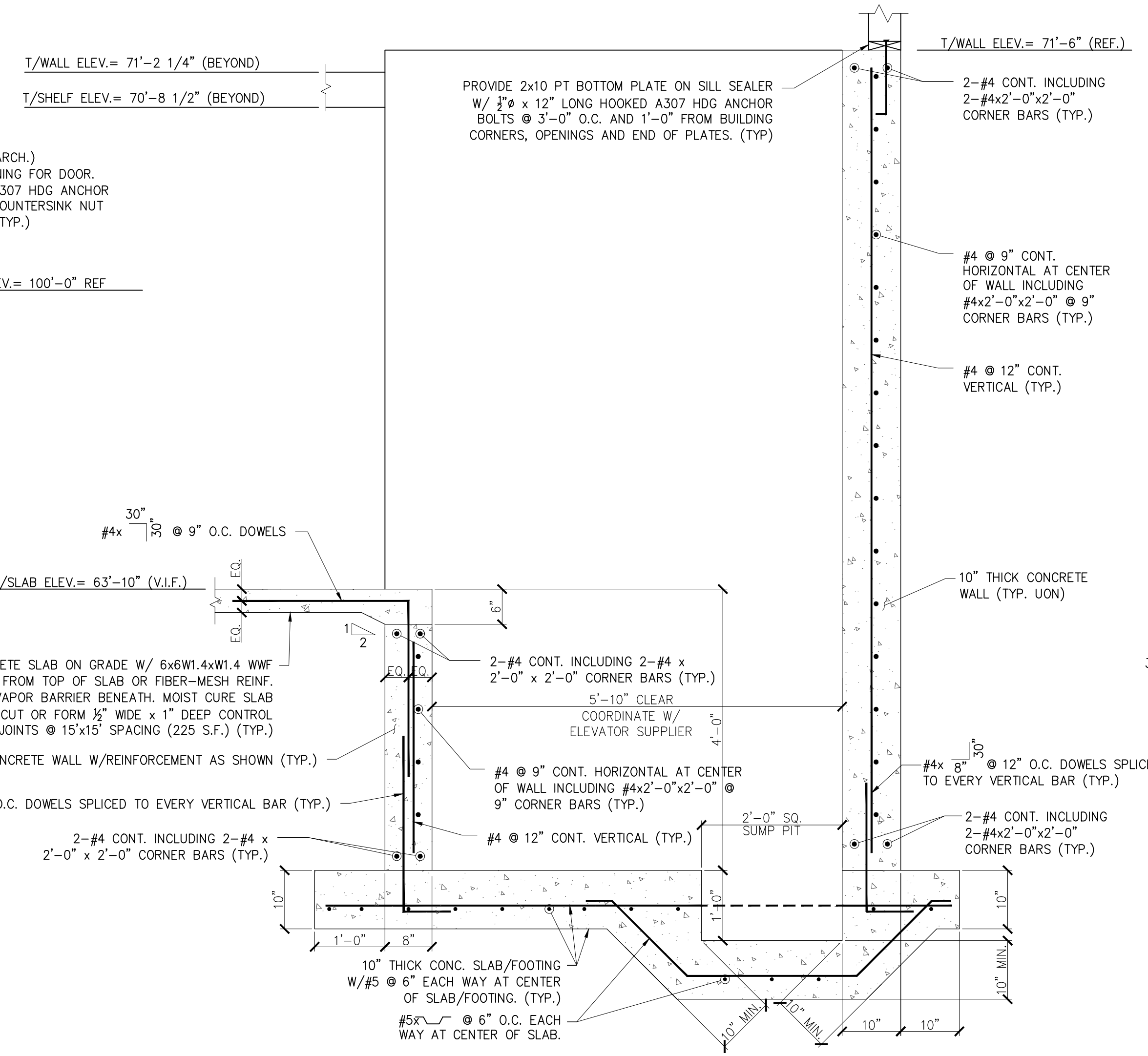
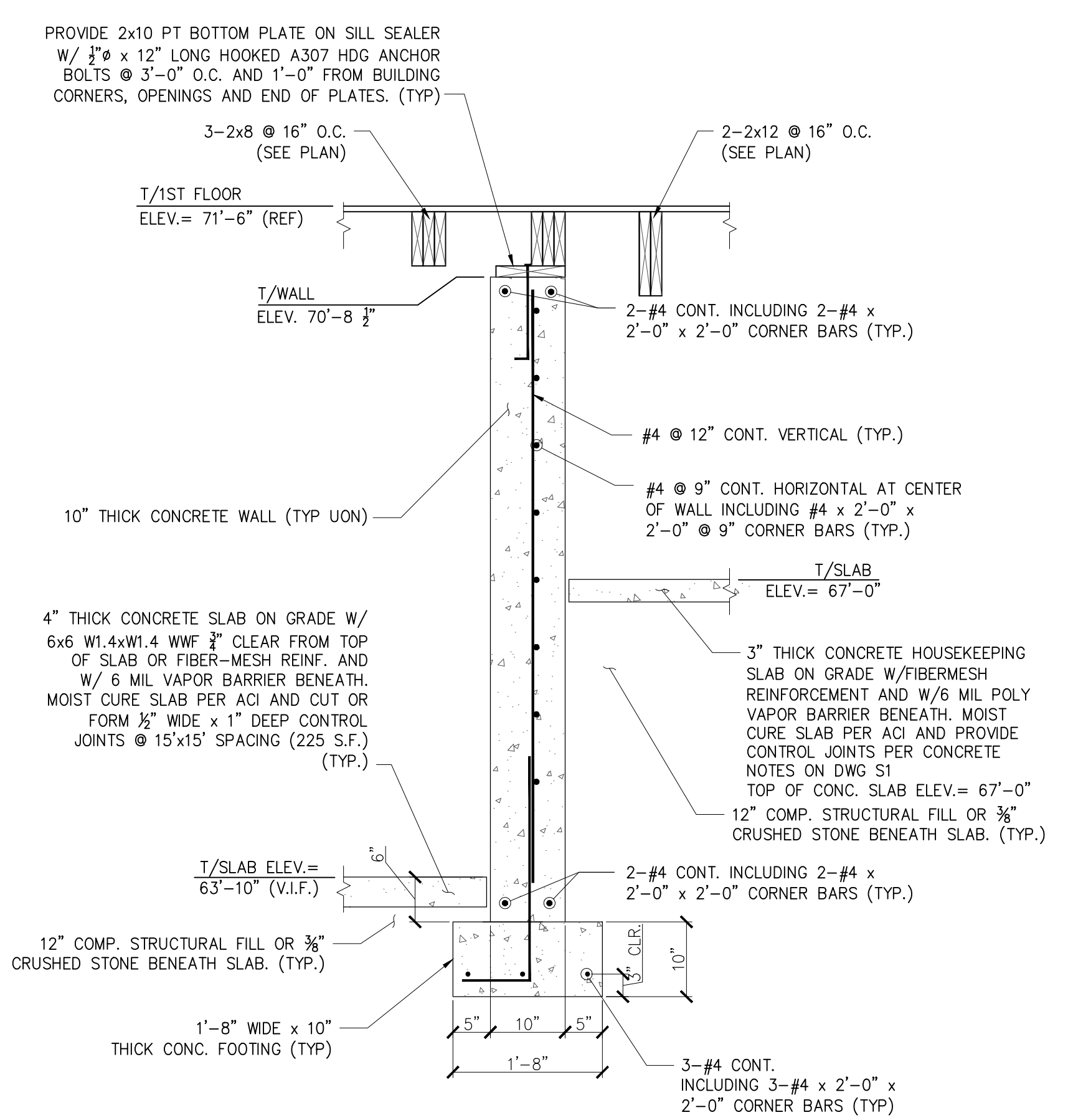


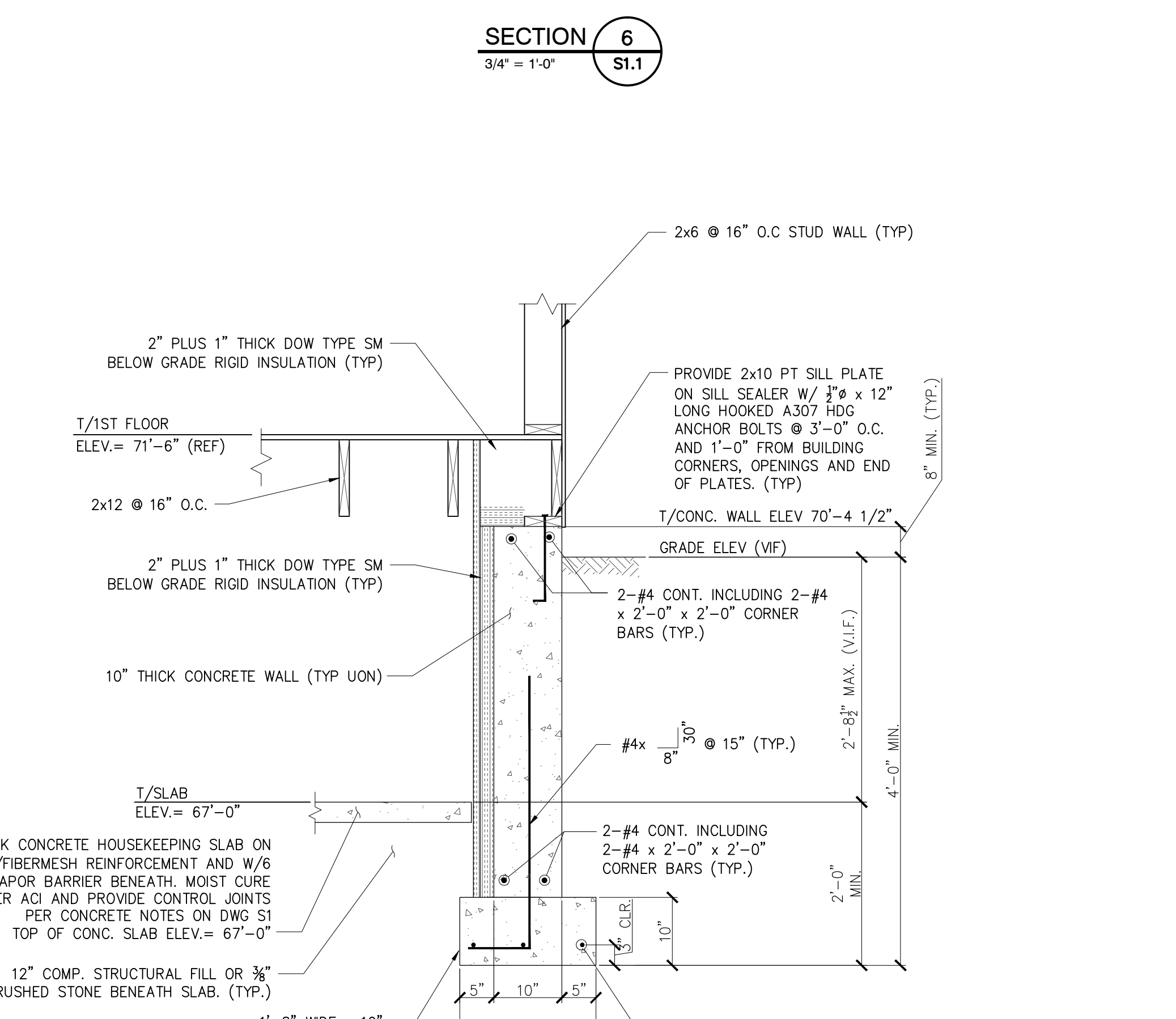
SECTION 5
3/4" = 1'-0"



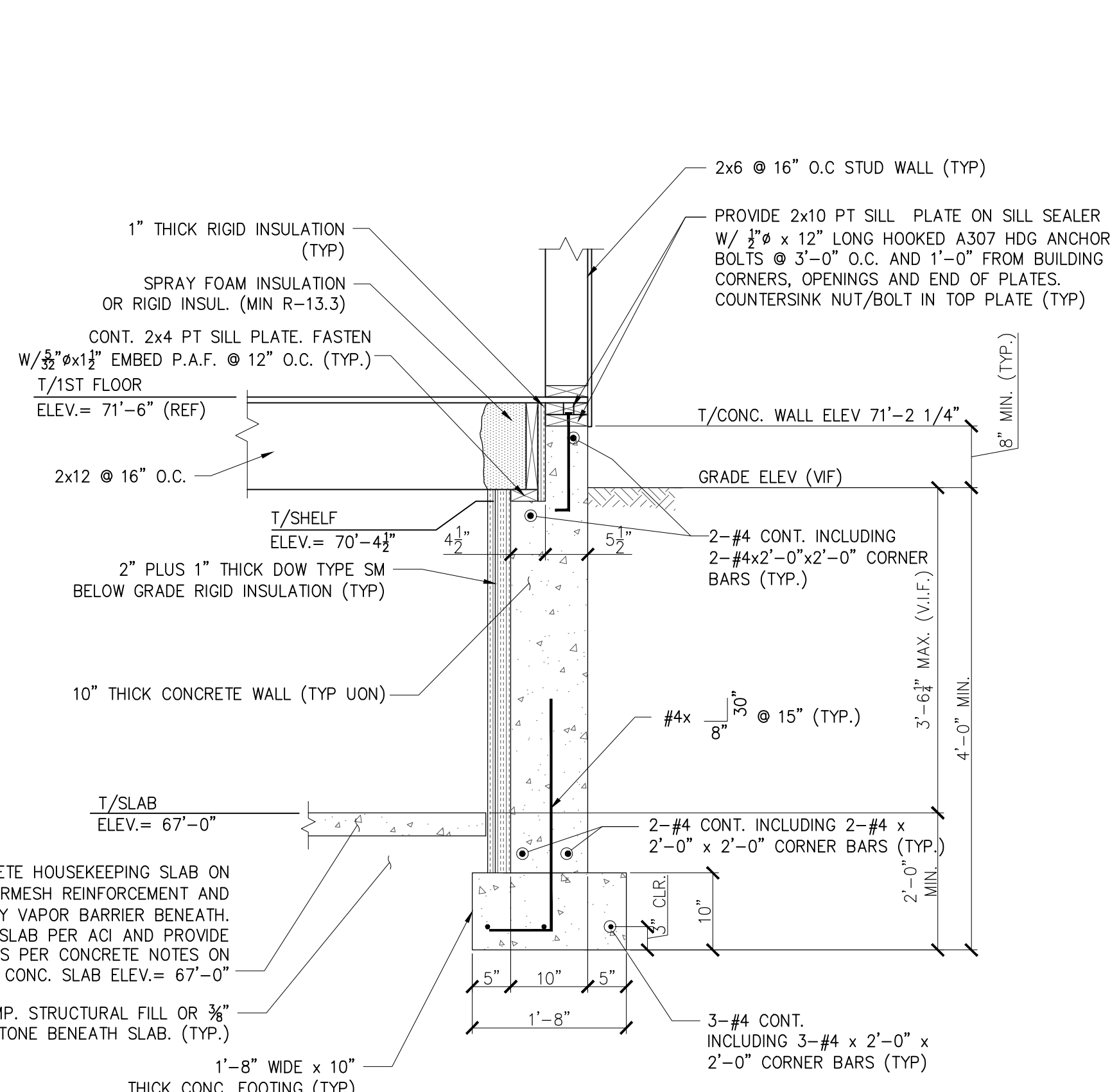
SECTION 6
3/4" = 1'-0"



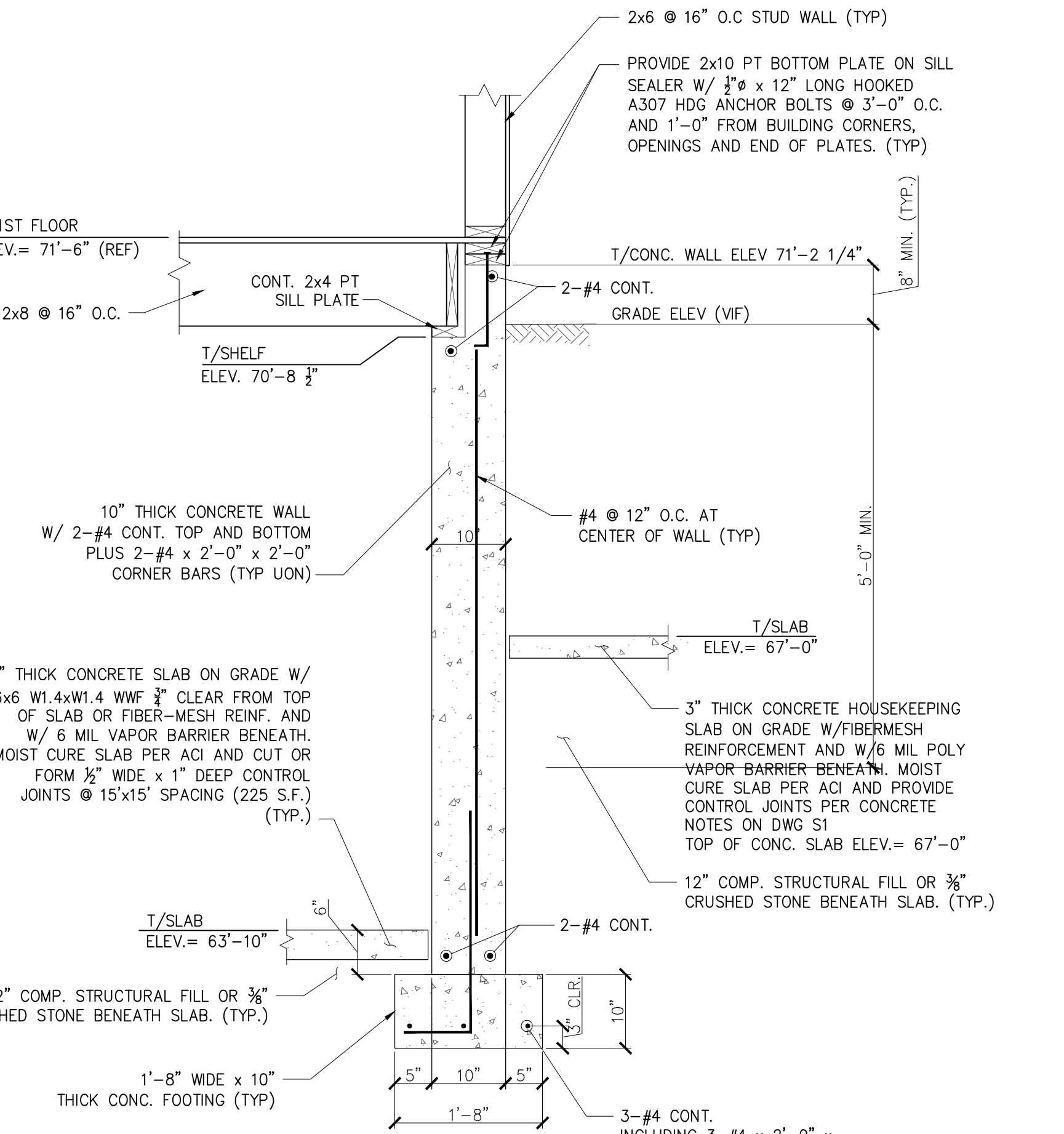
SECTION 8
3/4" = 1'-0"



SECTION 9
3/4" = 1'-0"

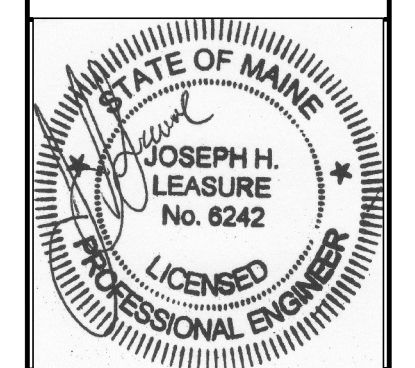


SECTION 7
3/4" = 1'-0"



SECTION 10
3/4" = 1'-0"

L & L STRUCTURAL ENGINEERING SERVICES, INC.
SIX Q. STREET
SOUTH PORTLAND, MAINE 04106
PHONE: (207) 767-4830
FAX: (207) 799-5432



rev.	date	description	designed by	drawn by	checked by	scale	date	plot date	project #
A	4-26-13	FOR PERMIT ONLY	JHL	JHL	JHL	AS NOTED	4-26-13	4-26-13	2012-039

ETZ CHAIM SYNAGOGUE - ADDITIONS & RENOVATIONS
267 CONGRESS STREET
PORTLAND, MAINE
FOUNDATION SECTIONS AND DETAILS

S2.2

THESE DRAWINGS HAVE BEEN DEVELOPED BY L&L STRUCTURAL ENGINEERING SERVICES, INC. FOR THE TITLE SET ONLY. THE DRAWINGS ARE THE SOLE PROPERTY OF L&L ENGINEERING SERVICES, INC. AND THEY SHALL NOT BE USED, LENT, COPIED OR ALTERED WITHOUT THE WRITTEN CONSENT OF L&L STRUCTURAL ENGINEERING SERVICES, INC.