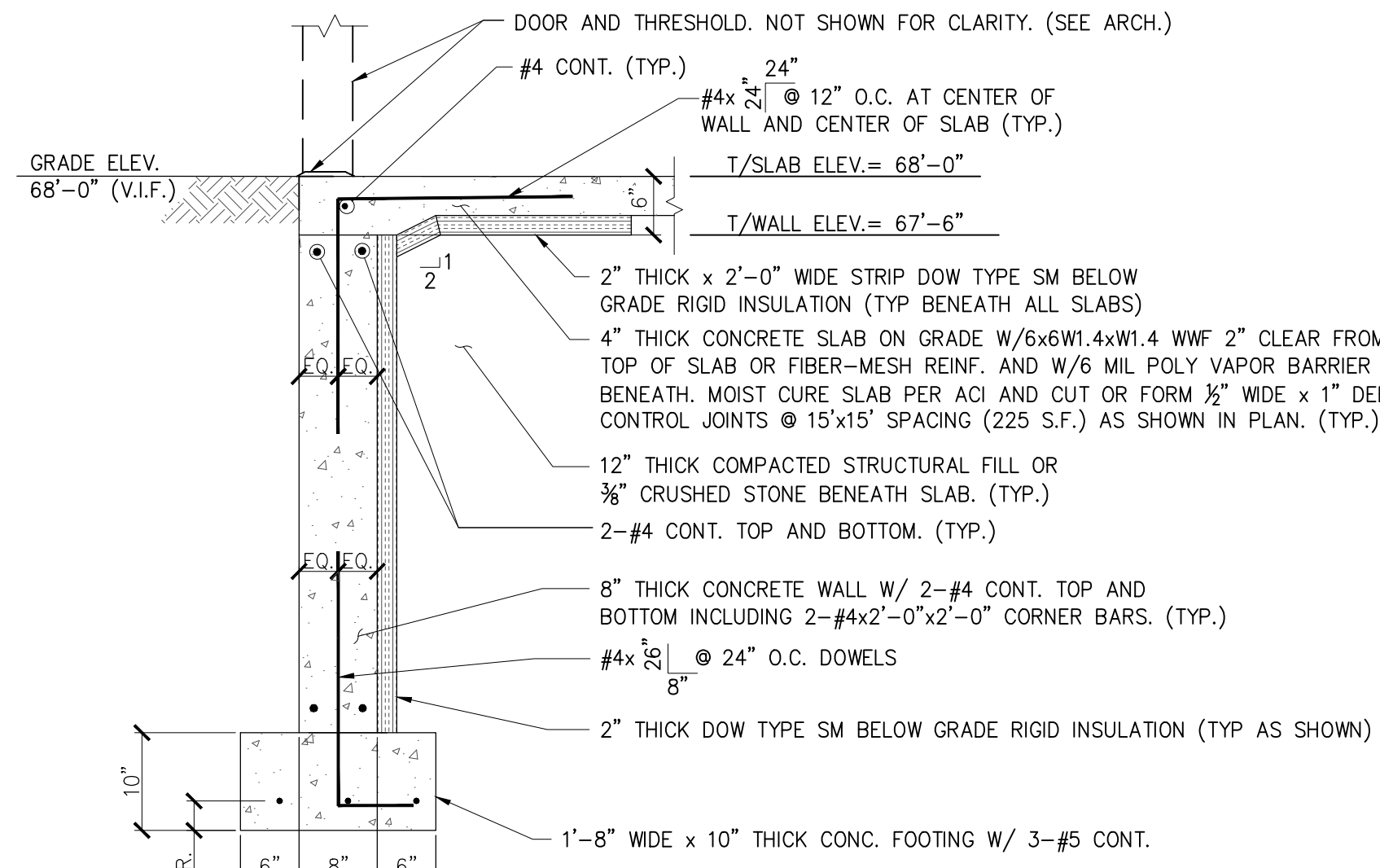
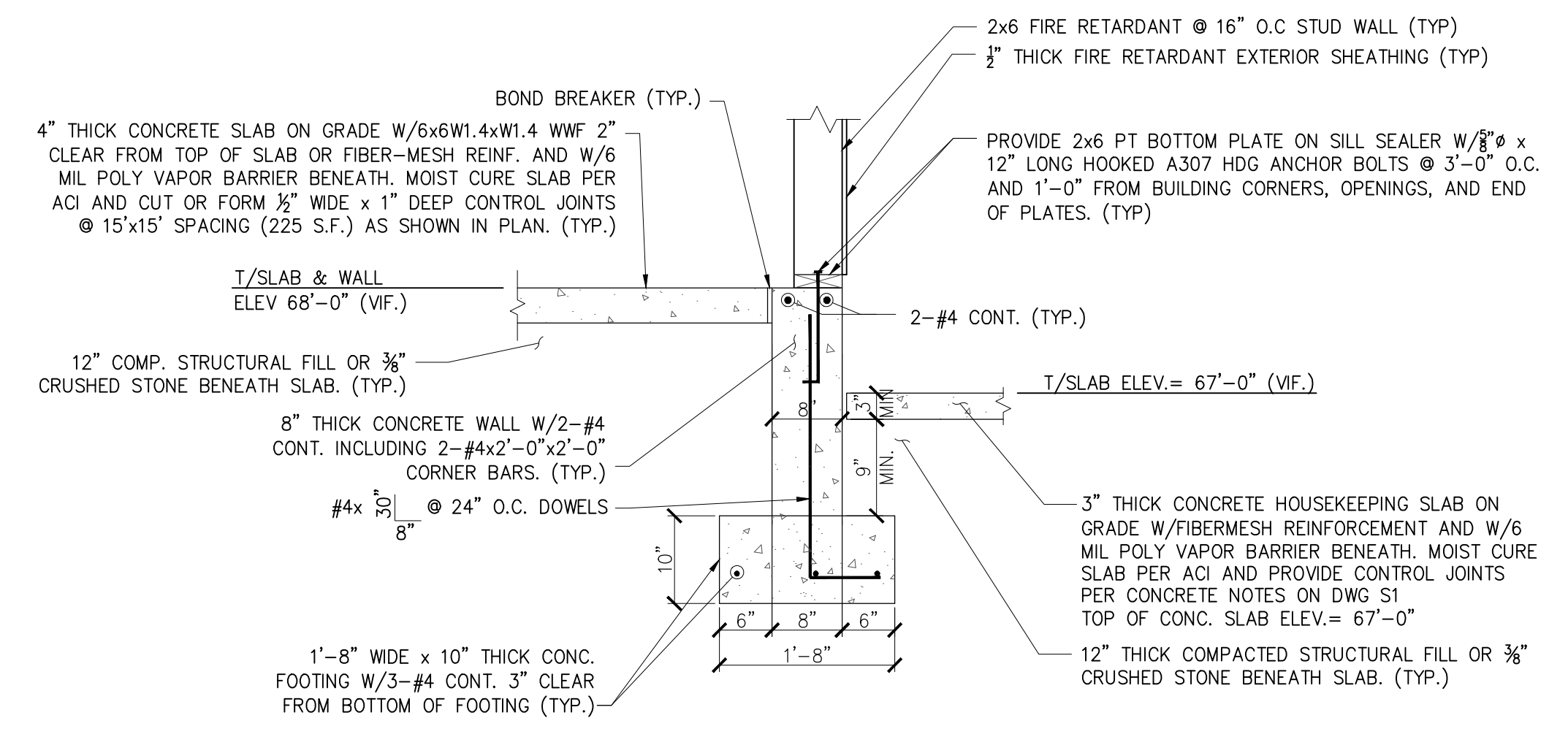


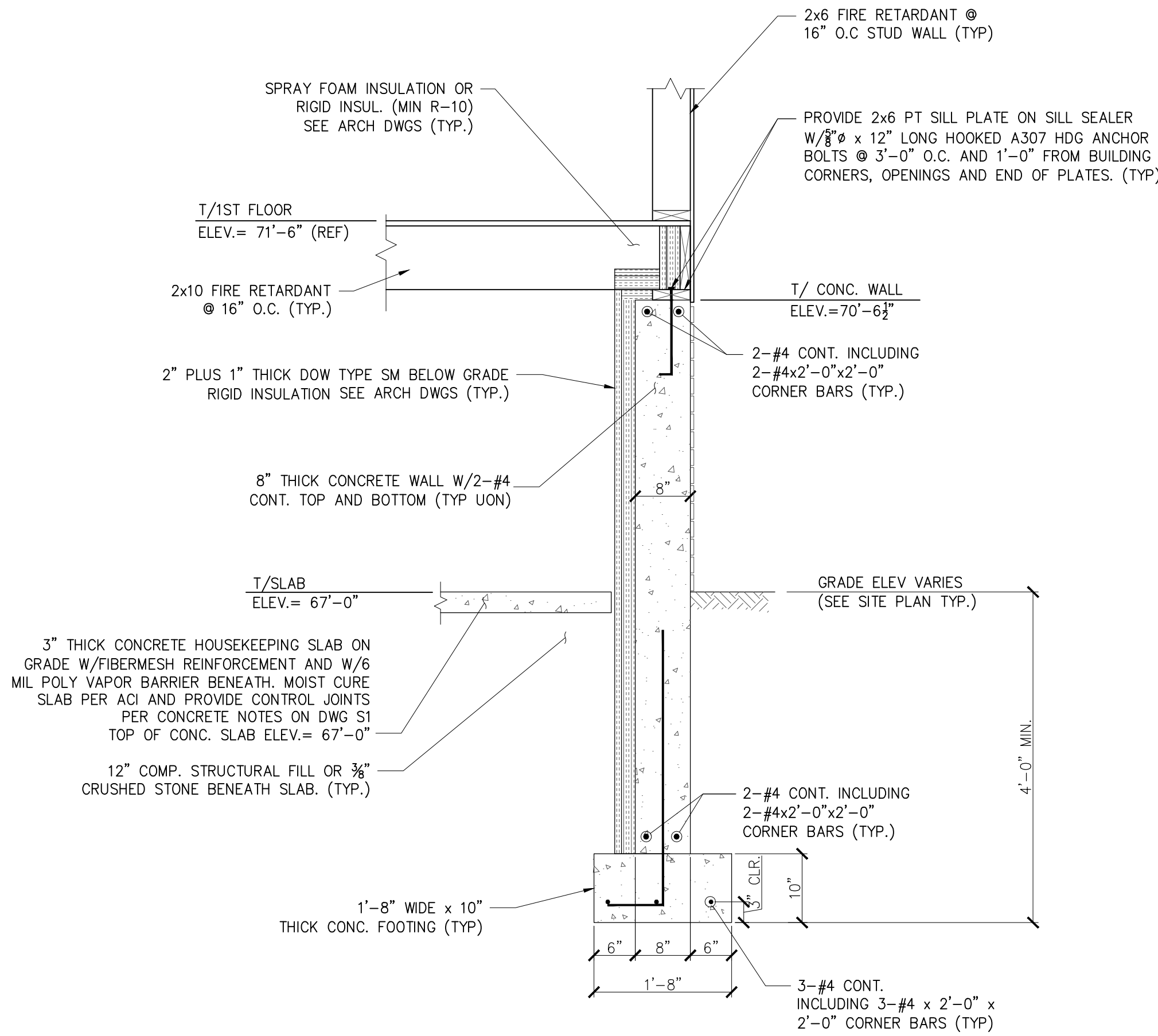
SECTION 1  
3/4" = 1'-0" S1.1



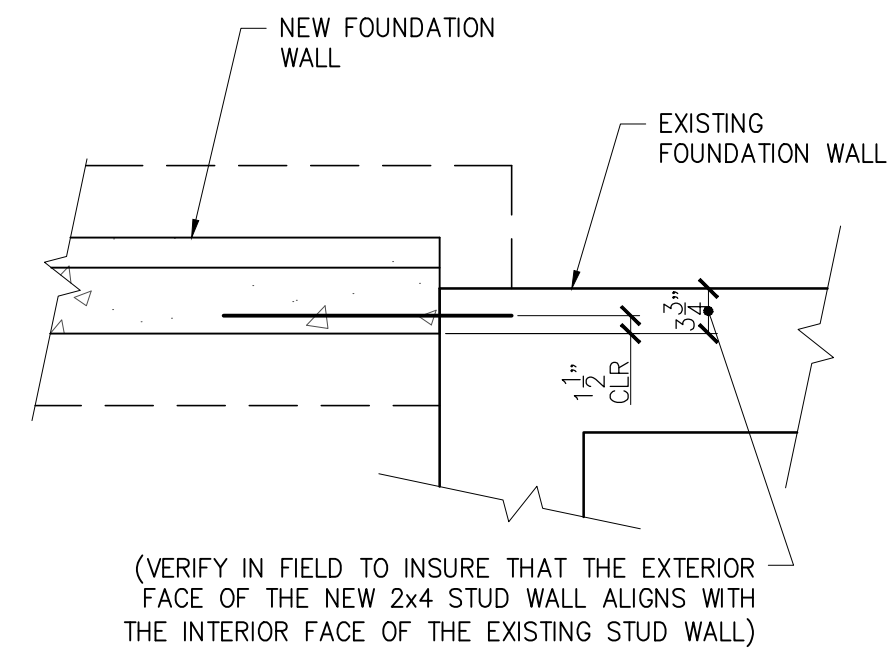
SECTION 2  
3/4" = 1'-0" S1.1



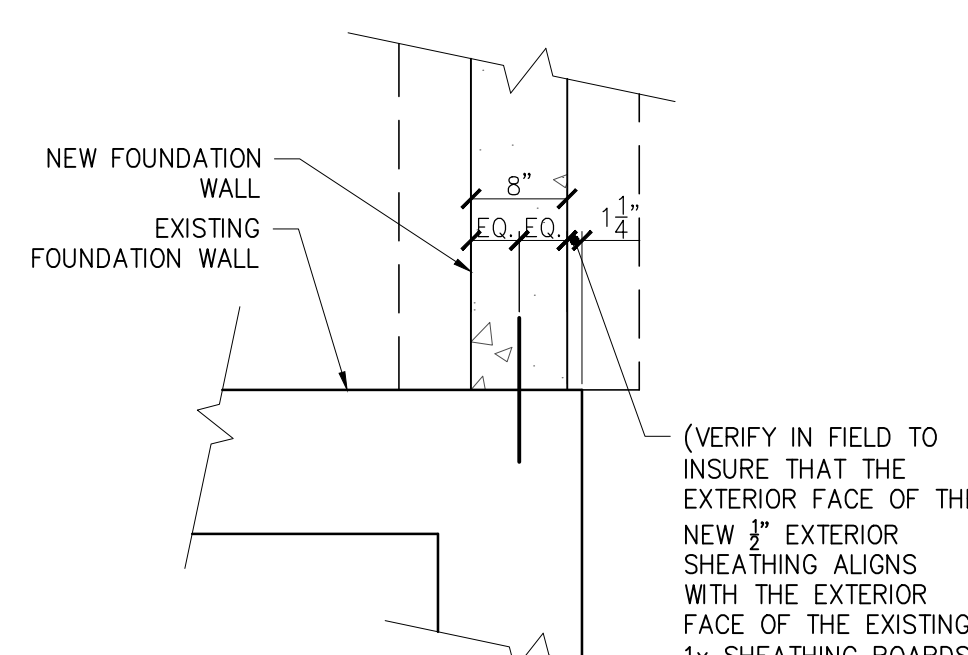
SECTION 3  
3/4" = 1'-0" S1.1



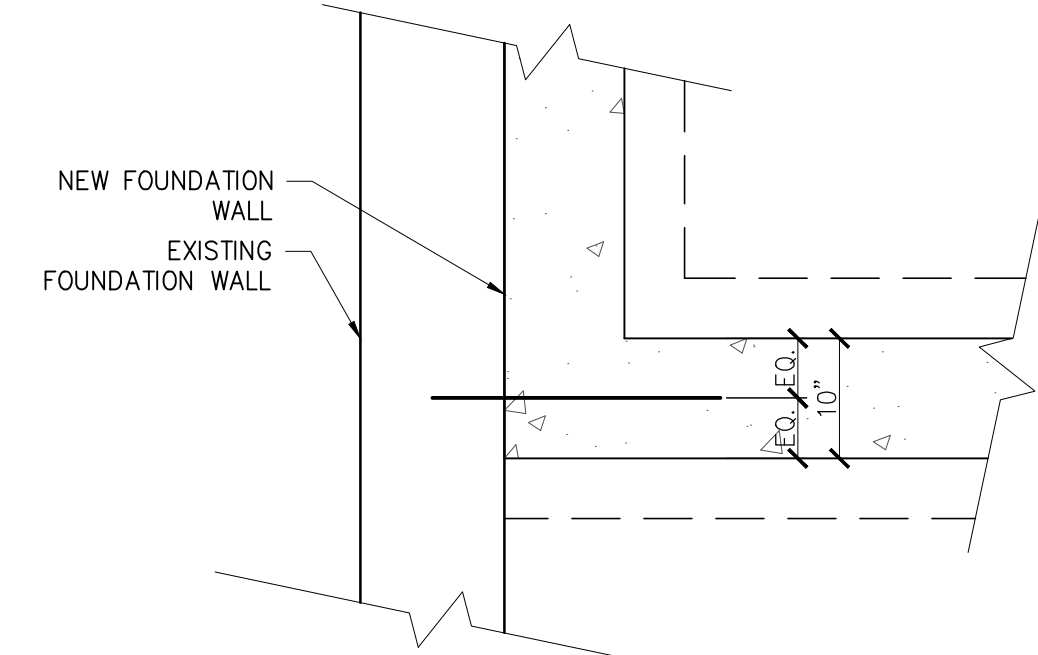
SECTION 4  
3/4" = 1'-0" S1.1



DETAIL A  
3/4" = 1'-0" S1.1

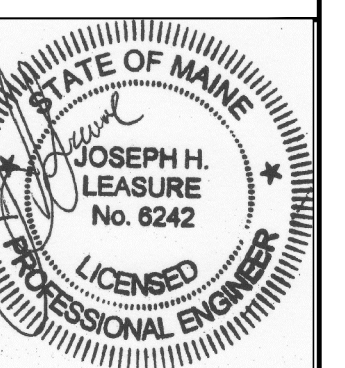


DETAIL B  
3/4" = 1'-0" S1.1



DETAIL C  
3/4" = 1'-0" S1.1

L & L STRUCTURAL ENGINEERING SERVICES, INC.  
SIX O. STREET  
SOUTH PORTLAND, MAINE 04106  
PHONE: (207) 767-4830  
FAX: (207) 799-5432



rev.	date	description	designed by	checked by	scale	date	plot date	project #
A	4-26-13	FOR PERMIT ONLY	JHL	JHL	AS NOTED	4-26-13	4-26-13	2012-039

ETZ CHAIM SYNAGOGUE-ADDITIONS & RENOVATIONS  
267 CONGRESS STREET  
PORTLAND, MAINE  
FOUNDATION SECTIONS AND DETAILS

S2.1

THESE DRAWINGS HAVE BEEN DEVELOPED BY L&L STRUCTURAL ENGINEERING SERVICES, INC. FOR THE TITLE SET ONLY. THE DRAWINGS ARE THE SOLE PROPERTY OF L&L ENGINEERING SERVICES, INC. AND THEY SHALL NOT BE USED, LENT, COPIED OR ALTERED WITHOUT THE WRITTEN CONSENT OF L&L STRUCTURAL ENGINEERING SERVICES, INC.