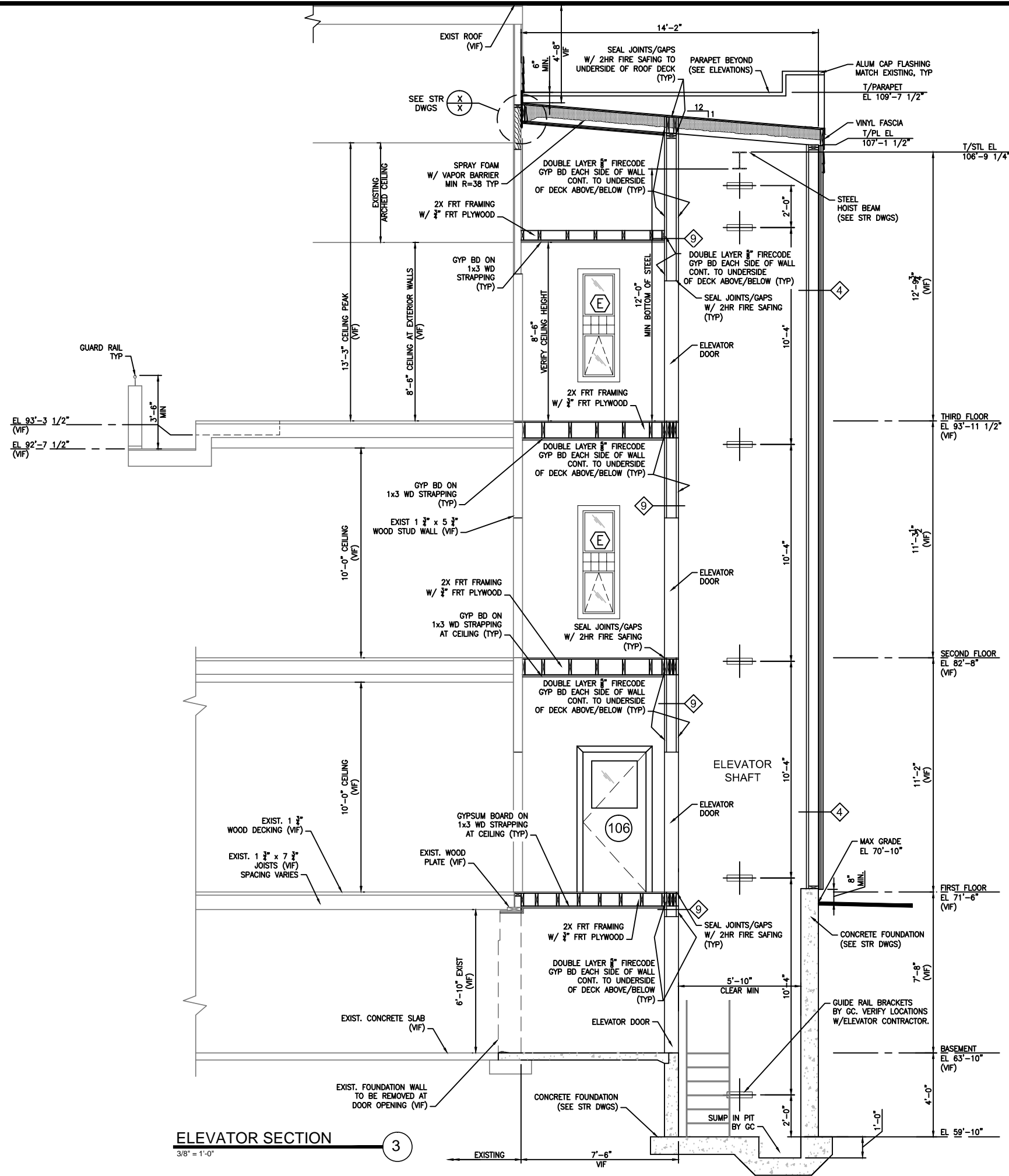
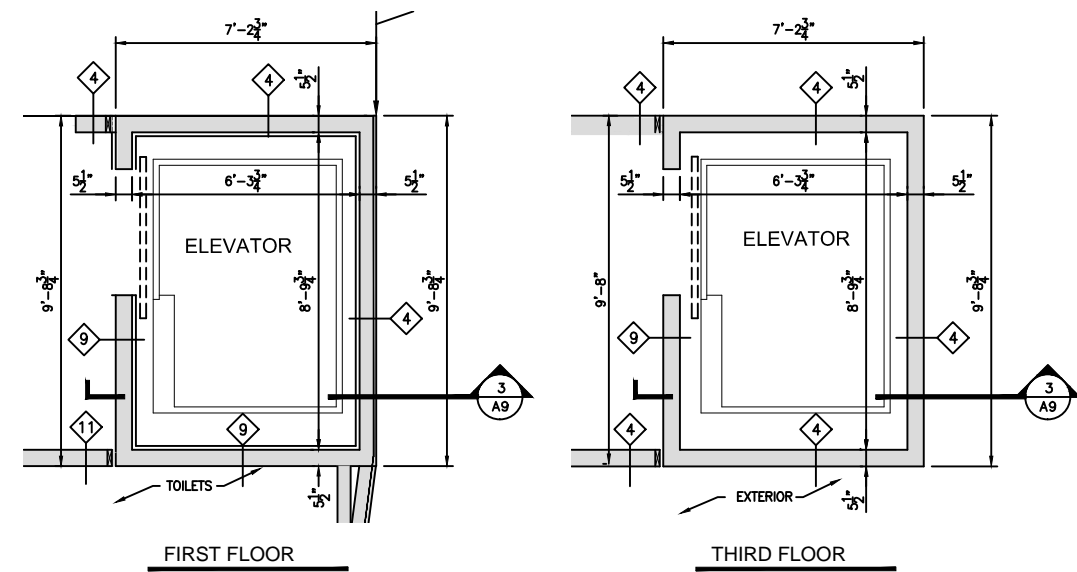




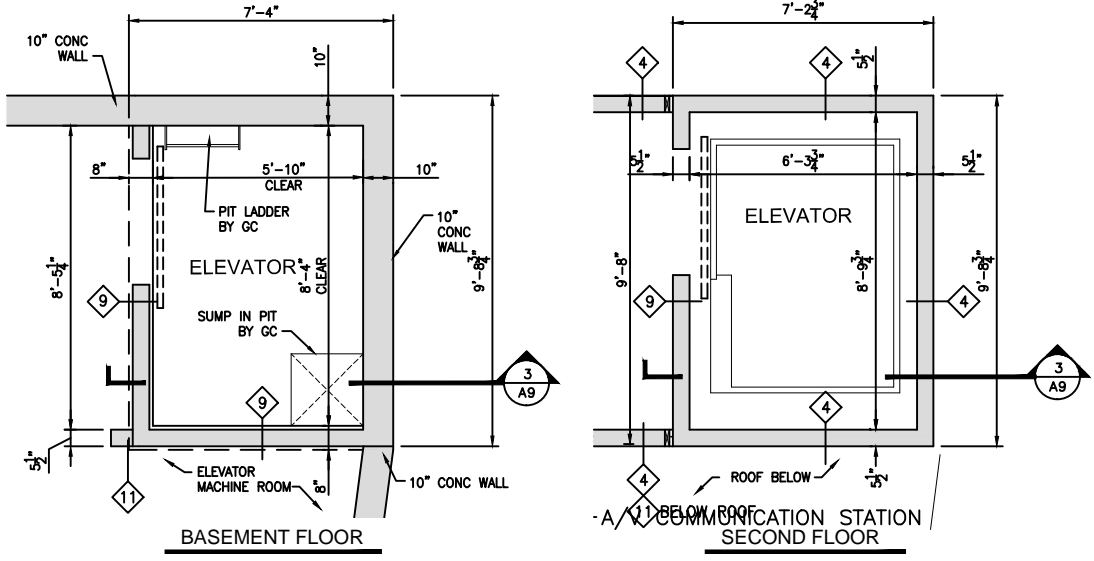
REV.	DATE	STATUS
0	4-8-13	STATE FIRE MARSHAL SUBMISSION
1	4-25-13	ISSUED FOR PERMIT
2	7-10-13	REVISED



ELEVATOR SECTION 3
3/8" = 1'-0"

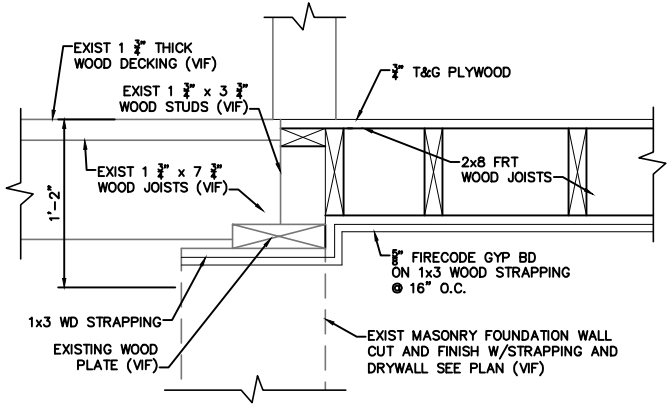


FIRST FLOOR
THIRD FLOOR



BASEMENT FLOOR
SECOND FLOOR

ELEVATOR PLANS 5
3/8" = 1'-0"

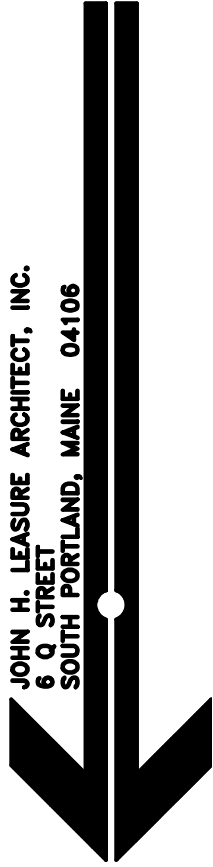


DETAIL 6
1 1/2" = 1'-0"

ETZ CHAIM SYNAGOGUE
267 CONGRESS STREET
PORTLAND, MAINE

ELEVATOR PLANS & SECTION

JOHN H. LEASURE ARCHITECT, INC.
6 Q STREET
SOUTH PORTLAND, MAINE 04106



A9