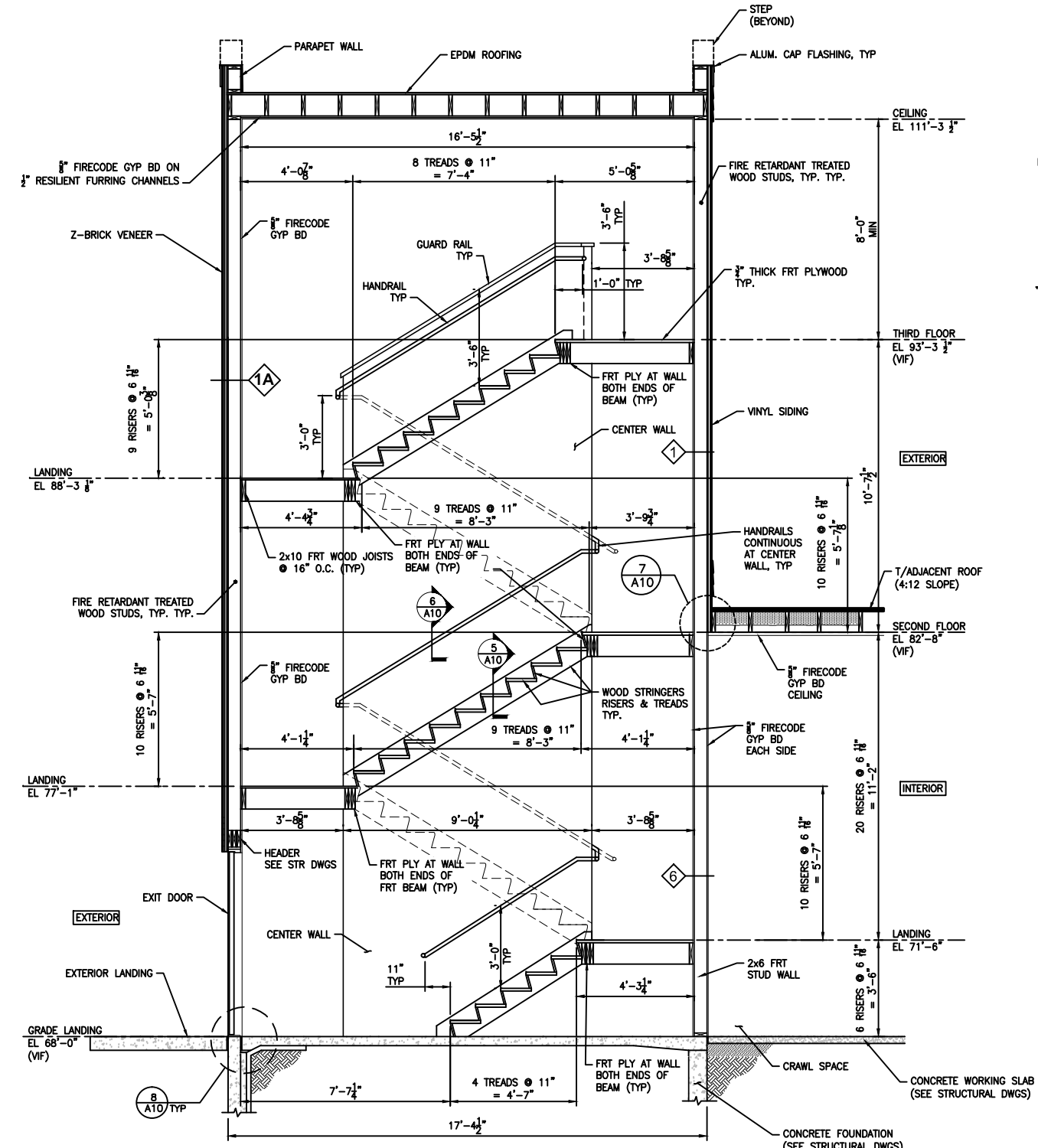


REV.	DATE	STATUS
0	4-8-13	STATE FIRE MARSHAL SUBMISSION
1	4-25-13	ISSUED FOR PERMIT
2	7-02-13	REVISED

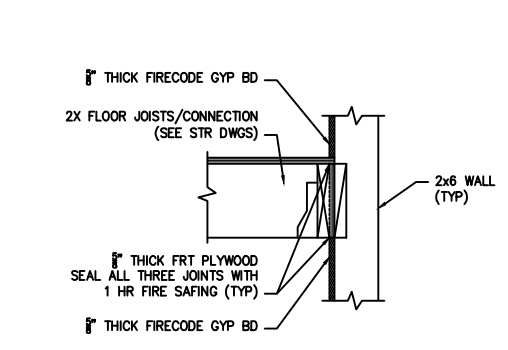


JOHN H. LEASURE ARCHITECT, INC.
6 Q STREET
SOUTH PORTLAND, MAINE 04106

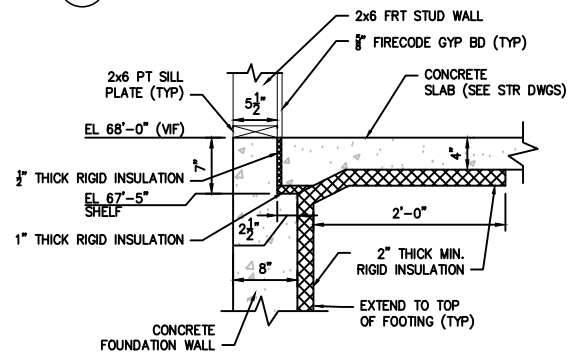


STAIR SECTION 4
3/8" = 1'-0"

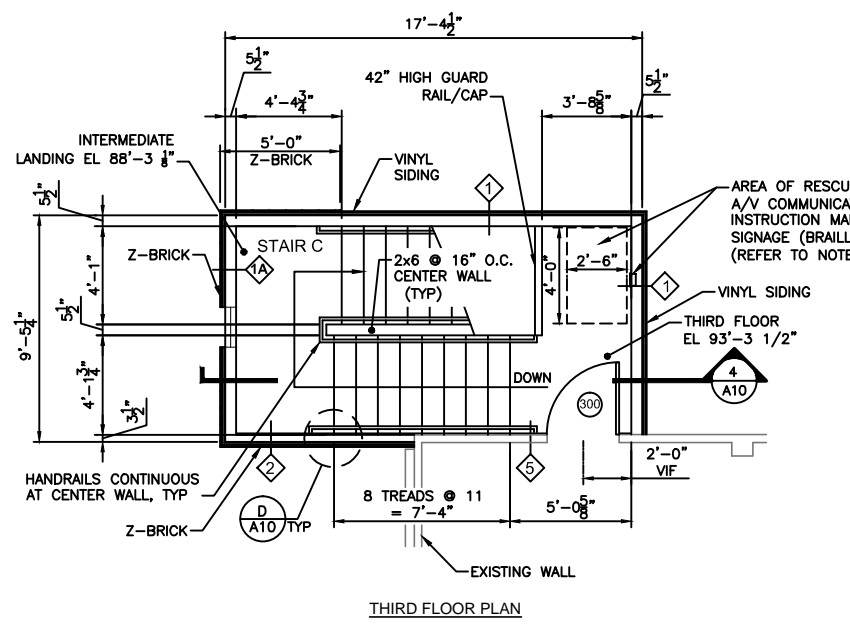
NOTE:
1. ALL WOOD IN STAIR C PERIMETER WALLS AND LANDINGS SHALL BE FIRE-RETARDANT TREATED (FRT) UNLESS OTHERWISE NOTED



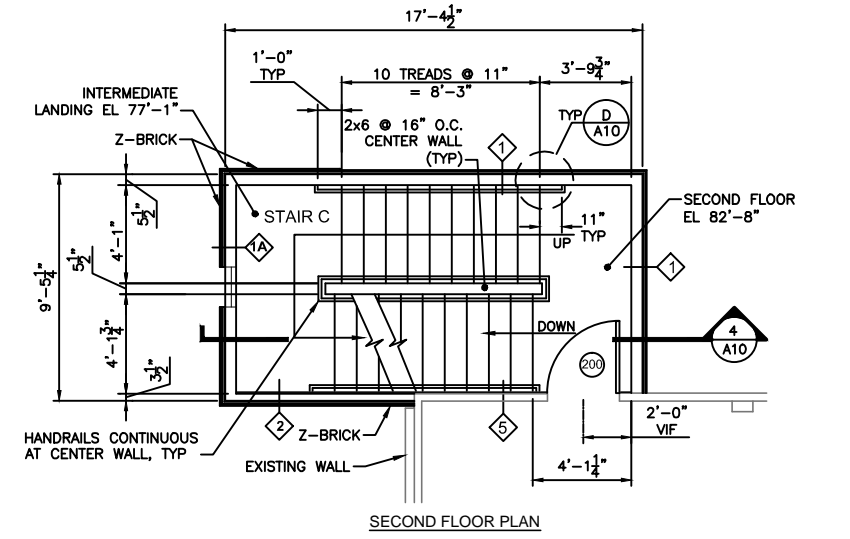
SECTION D
1/4" = 1'-0"



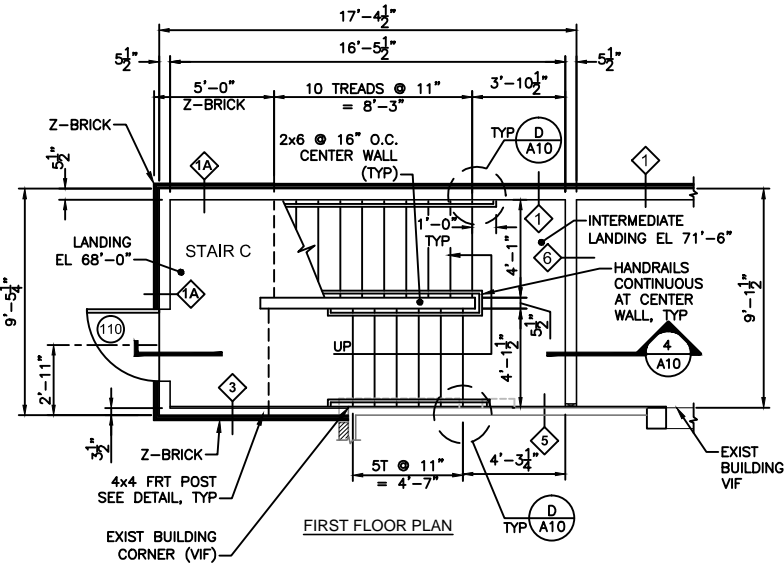
SECTION 8
1/4" = 1'-0"



THIRD FLOOR PLAN

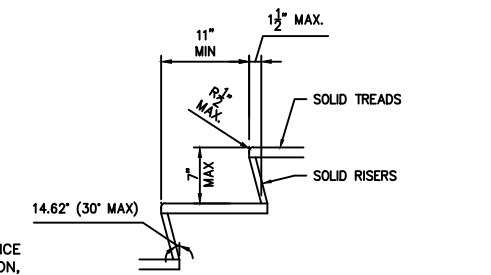


SECOND FLOOR PLAN

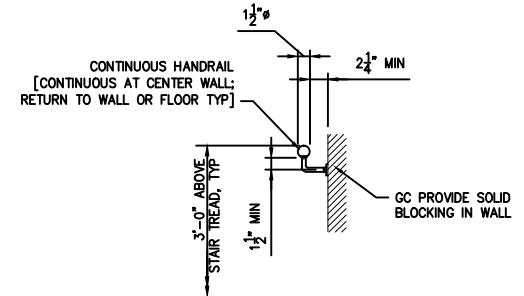


FIRST FLOOR PLAN

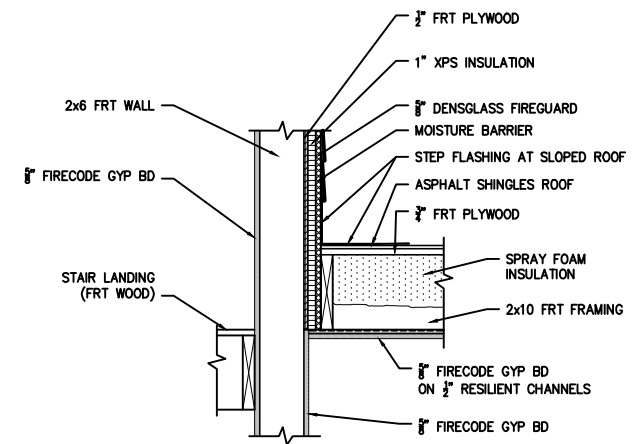
STAIR C PLANS 1
1/4" = 1'-0"



DETAIL 5
1" = 1'-0"



DETAIL 6
1" = 1'-0"



DETAIL 7
1" = 1'-0"

Notes:
1. See Drawing A12 for Wall Types

ETZ CHAIM SYNAGOGUE
267 CONGRESS STREET
PORTLAND, MAINE

STAIR C DETAILS