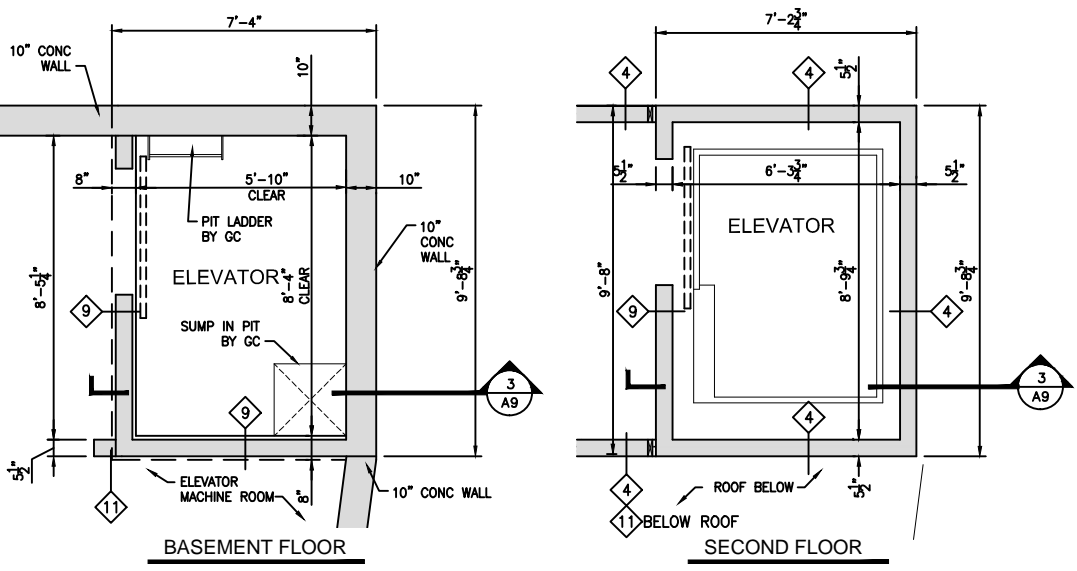
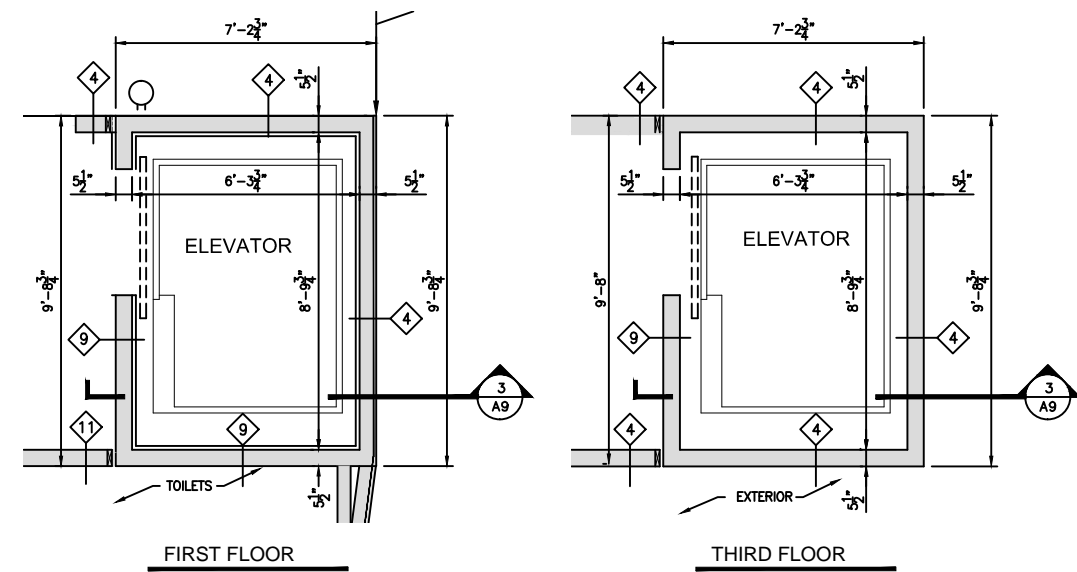
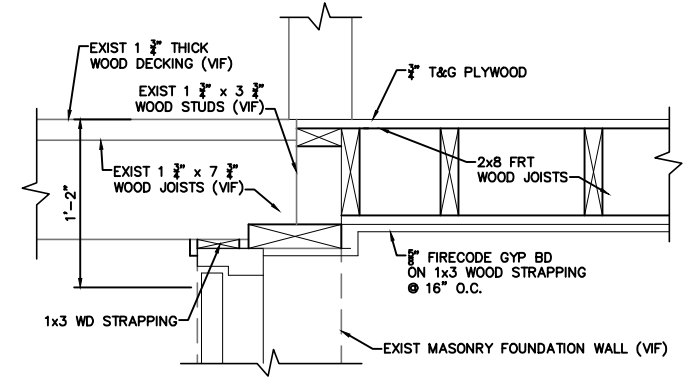


ELEVATOR SECTION 3
3/8" = 1'-0"



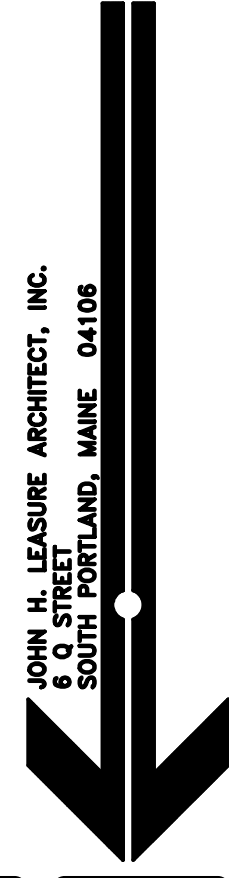
ELEVATOR PLANS 5
3/8" = 1'-0"



DETAIL 6
1 1/2" = 1'-0"



REV.	DATE	STATUS
0	4-8-13	STATE FIRE MARSHAL SUBMISSION
1	4-25-13	ISSUED FOR PERMIT



ETZ CHAIM SYNAGOGUE
267 CONGRESS STREET
PORTLAND, MAINE
ELEVATOR PLANS & SECTION

