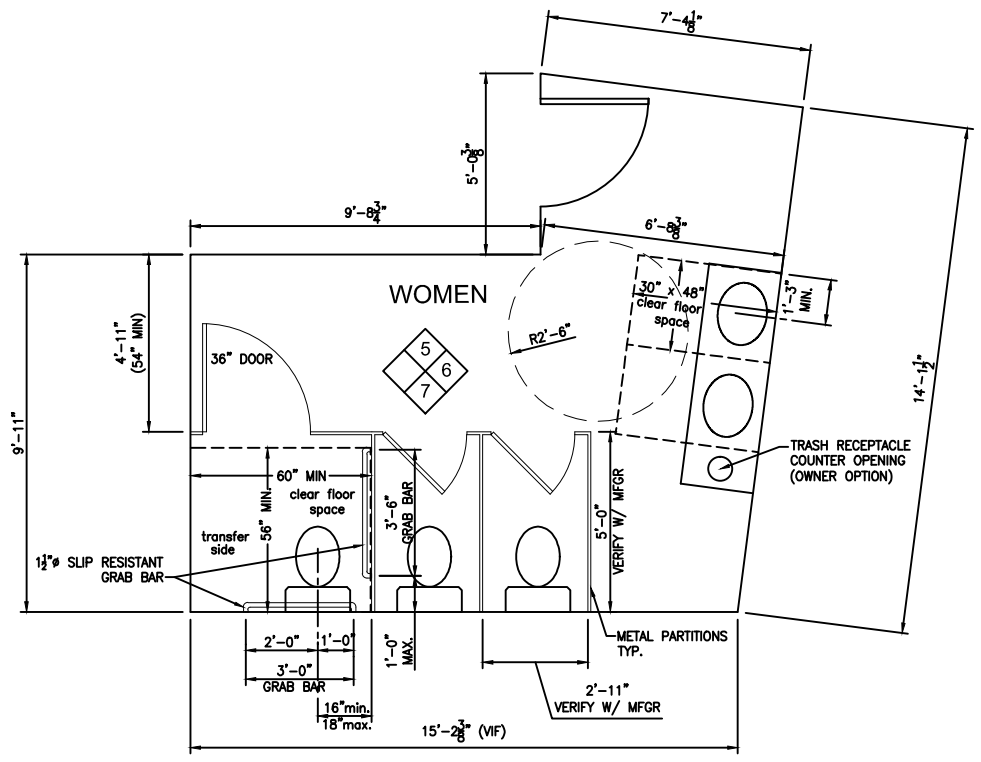
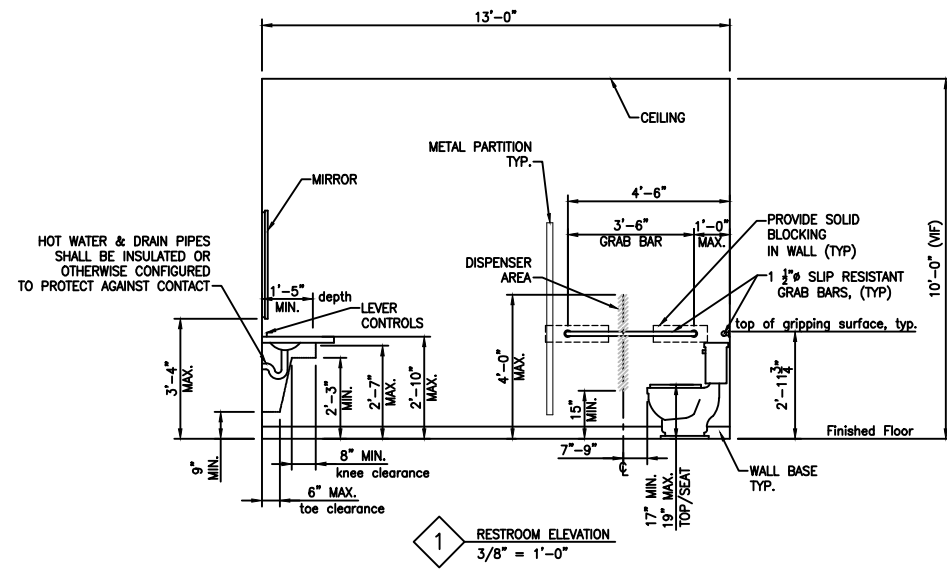


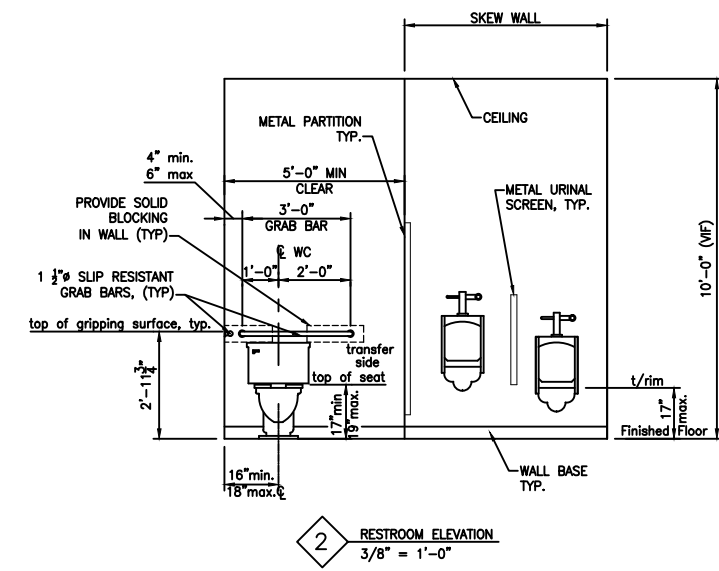
MEN'S REST ROOM PLAN  
3/8" = 1'-0"



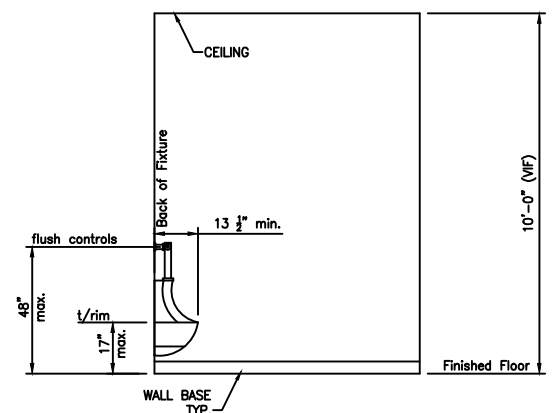
WOMEN'S REST ROOM PLAN  
3/8" = 1'-0"



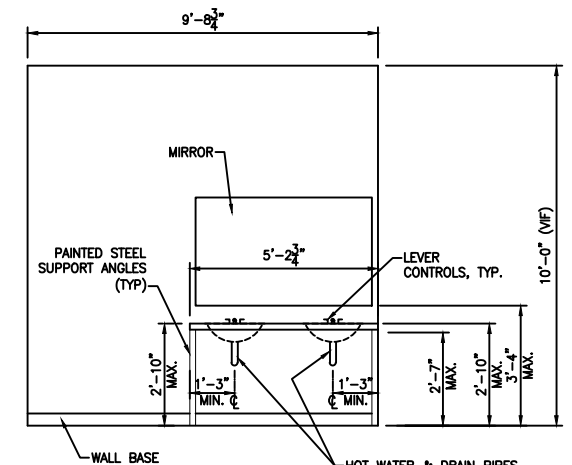
1 RESTROOM ELEVATION  
3/8" = 1'-0"



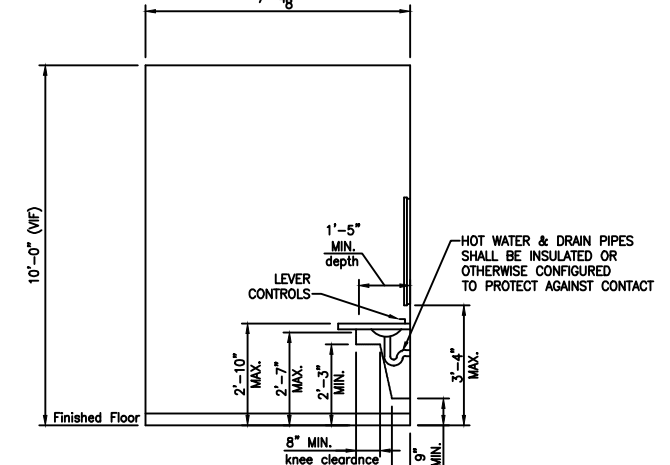
2 RESTROOM ELEVATION  
3/8" = 1'-0"



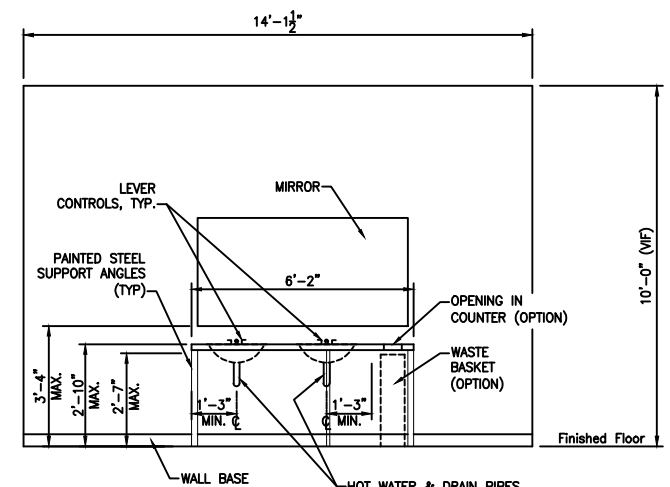
3 RESTROOM ELEVATION  
3/8" = 1'-0"



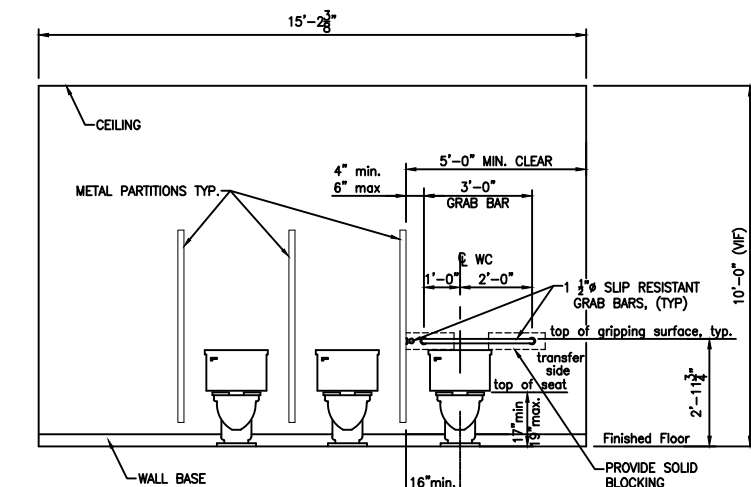
4 RESTROOM ELEVATION  
3/8" = 1'-0"



5 RESTROOM ELEVATION  
3/8" = 1'-0"



6 RESTROOM ELEVATION  
3/8" = 1'-0"



7 RESTROOM ELEVATION  
3/8" = 1'-0"

RESTROOM ELEVATIONS



REV.	DATE	STATUS
0	4-8-13	STATE FIRE MARSHAL SUBMISSION
1	4-25-13	ISSUED FOR PERMIT

JOHN H. LEASURE ARCHITECT, INC.  
6 Q STREET  
SOUTH PORTLAND, MAINE 04106



**ETZ CHAIM SYNAGOGUE**  
267 CONGRESS STREET  
PORTLAND, MAINE  
RESTROOM ELEVATIONS

**A14**