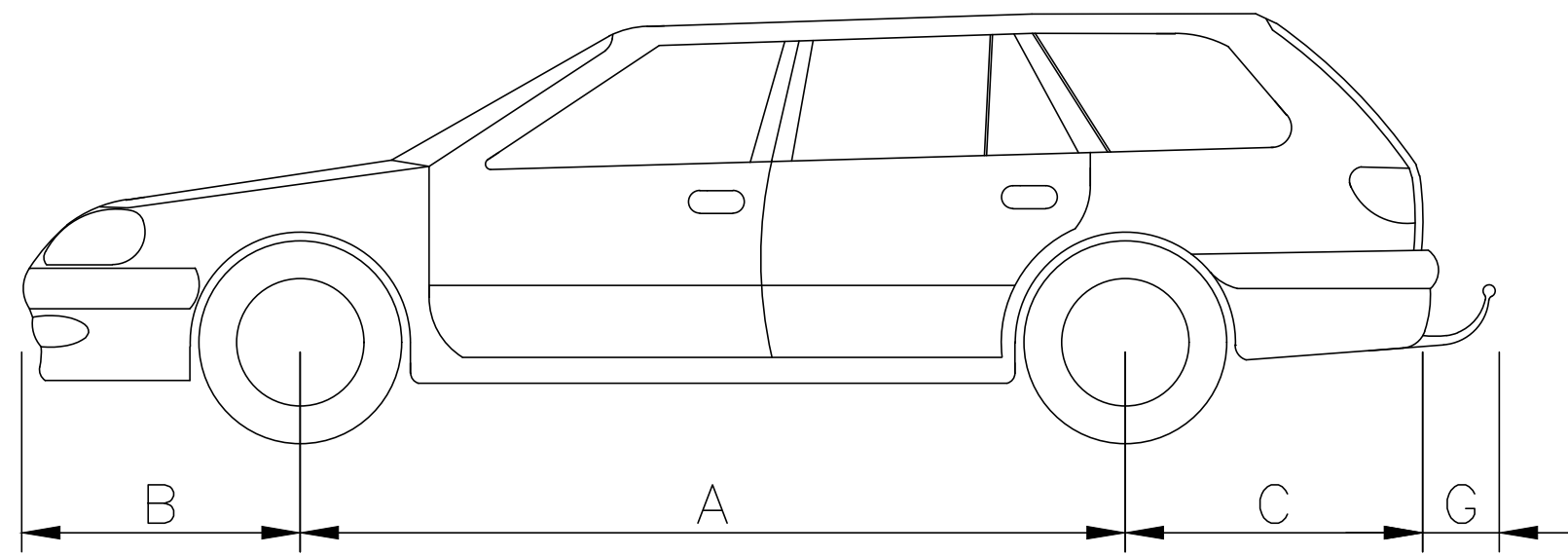
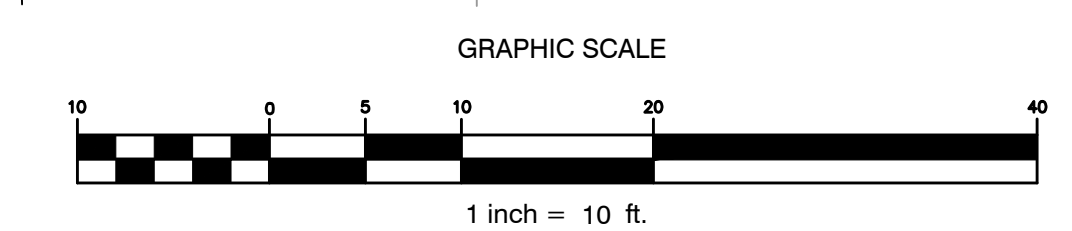
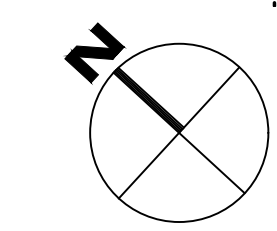
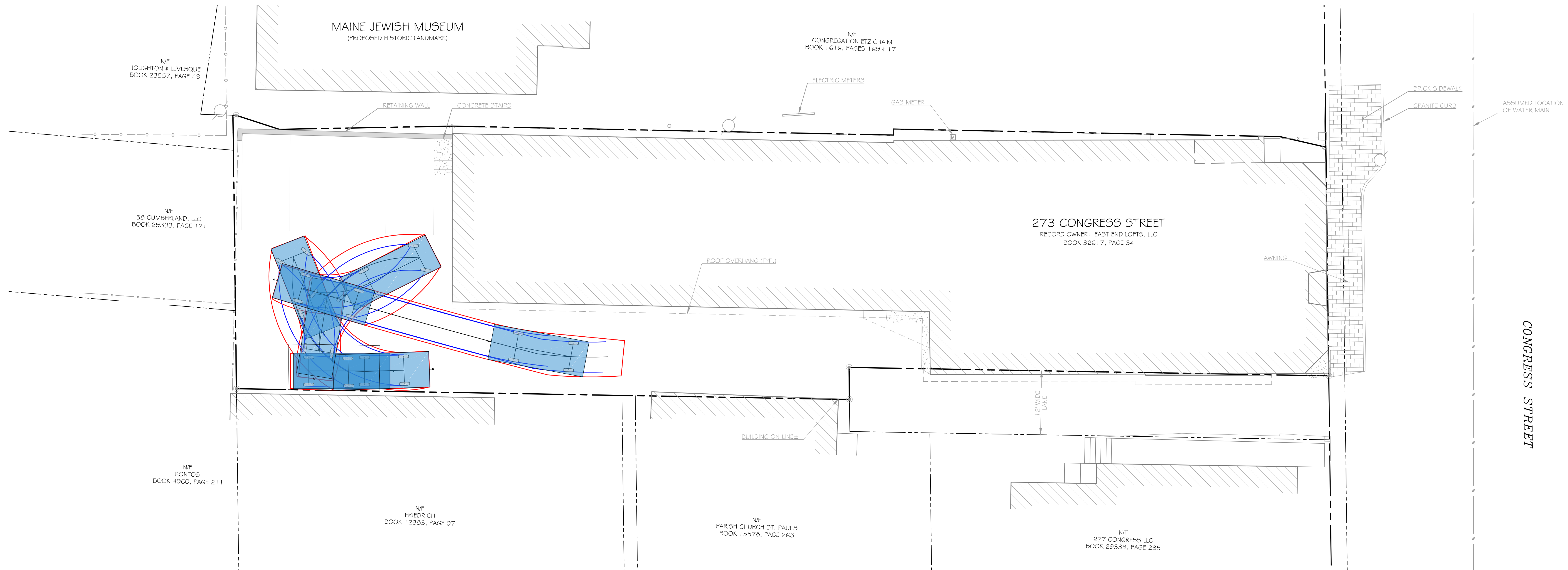


GENERAL NOTES

- VEHICLE TURNING MOVEMENTS SIMULATED WITH AUTOPATH SWEEP PATH ANALYSIS SOFTWARE (BUILD 33).



PC (PASSENGER CAR)



**WALSH**  
ENGINEERING ASSOCIATES, INC.  
One Karen Dr., Suite 2A | Westbrook, Maine 04092  
ph: 207-553-9898 | www.walsh-eng.com  
Copyright © 2016

STATE OF MAINE  
SILAS W. CANAVAN  
No. 12639  
Professional Engineer  
1/9/16

**East End Lofts**  
273 Congress Street  
Portland, Maine

**Clean and Simple Living, Inc.**  
315 16th Street  
Boulder, CO 80302

Rev.	Date	Description	Drawn	Check
1	11/3/15	Issued for Level III Site Plan Review	SWC	NGC
2	1/5/16	Revised Per City Comments	SWC	NGC

Sheet Title:  
**Turning Simulation Plan**

Job No.: 310  
Date: Nov. 3, 2015  
Scale: 1" = 20'  
Drawn: SWC  
Checked: NGC

Sheet No.: **T1.0**

2015: 273 Congress Street, Portland, ME. AutoCAD File: 20150315.dwg. Plot Date: 11/20/15 10:11 AM