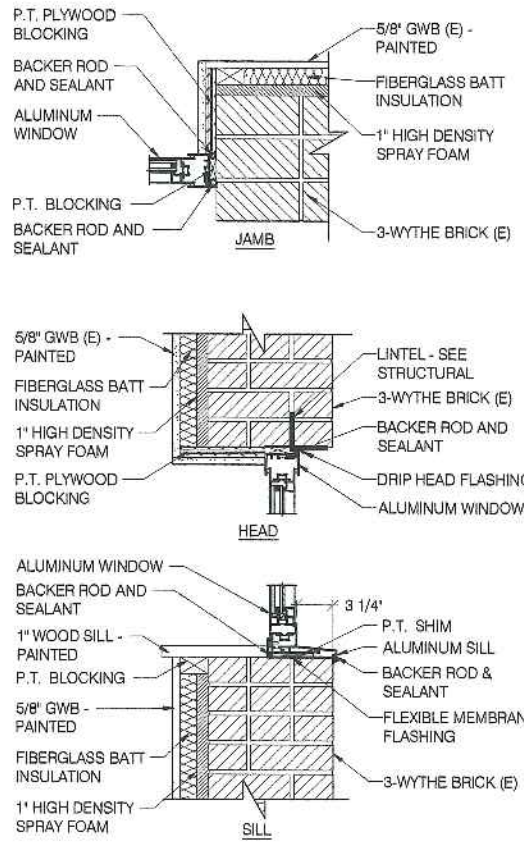
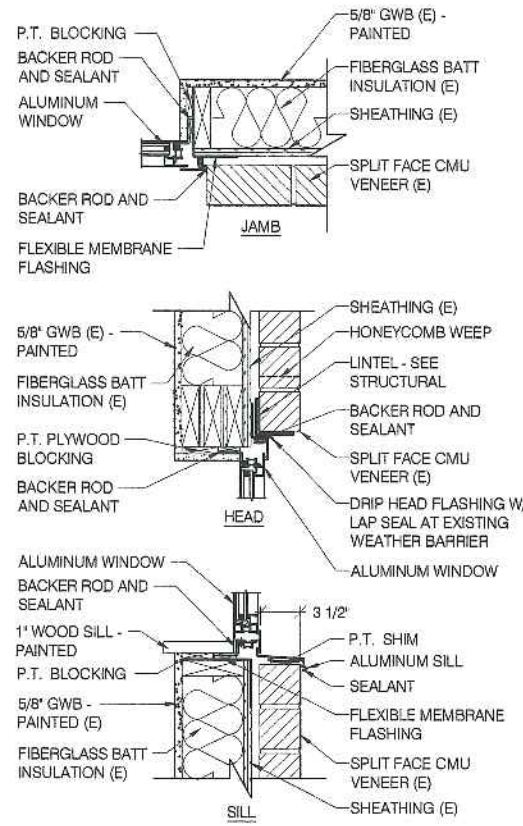


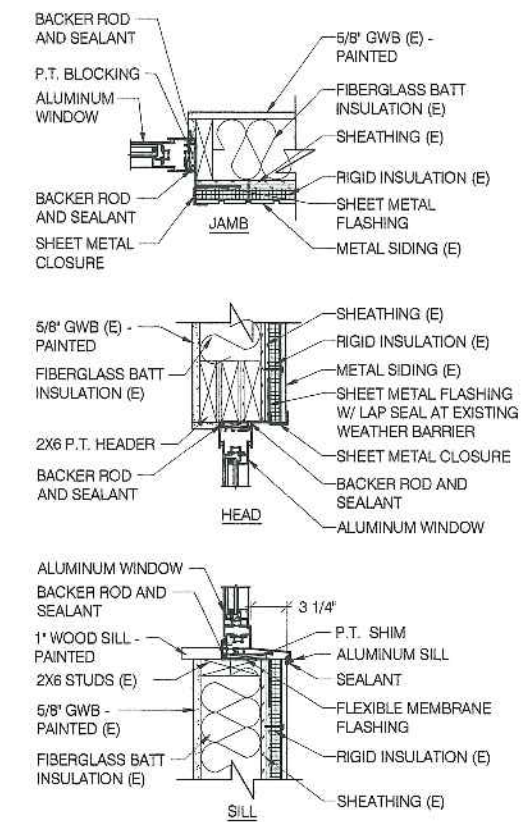
1 WINDOW DETAILS @ BRICK VENEER  
SCALE: 1 1/2" = 1'-0"



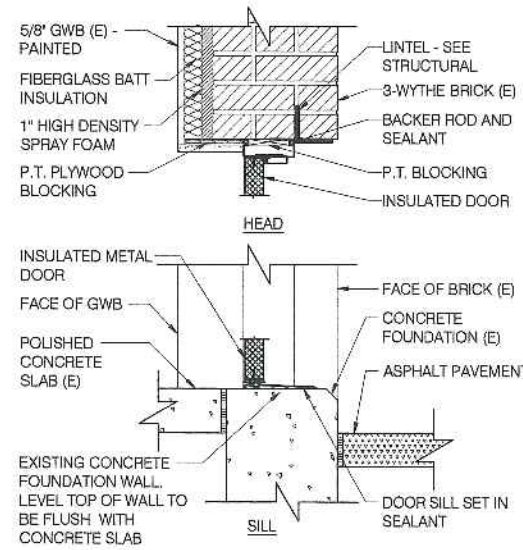
2 WINDOW DETAILS @ 3 WYTHE BRICK  
SCALE: 1 1/2" = 1'-0"



3 WINDOW DETAILS SPLIT FACE VENEER  
SCALE: 1 1/2" = 1'-0"



4 WINDOW DETAILS @ METAL SIDING  
SCALE: 1 1/2" = 1'-0"



5 DOOR DETAILS @ 3 WYTHE BRICK  
SCALE: 1 1/2" = 1'-0"

Bild Architecture  
PO Box 8235  
Portland, ME 04104  
207.408.0168  
evan@bildarchitecture.com



PROJECT NO. 15019  
PROJECT NAME EAST END LOFTS  
PORTLAND, ME 04101

REVISIONS
1
2
3
4
5

BUILDING PERMIT SET

DRAWN BY AEW  
SHEET TITLE DETAILS

ISSUE DATE 11/3/15  
SHEET SCALE 1 1/2" = 1'-0"

A

8.2