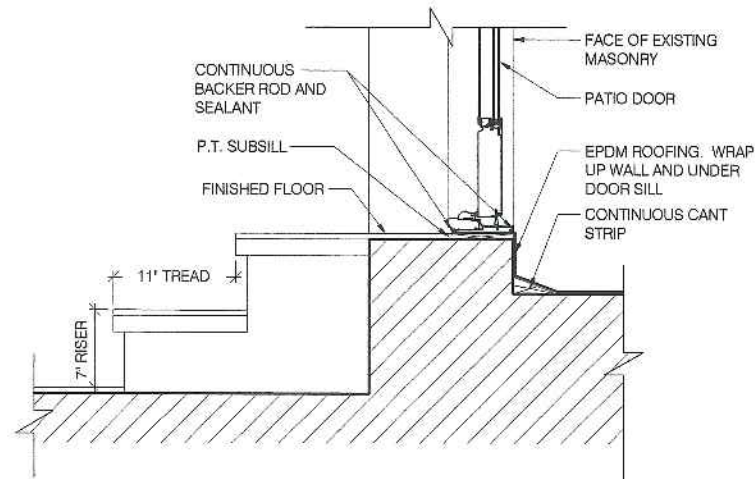
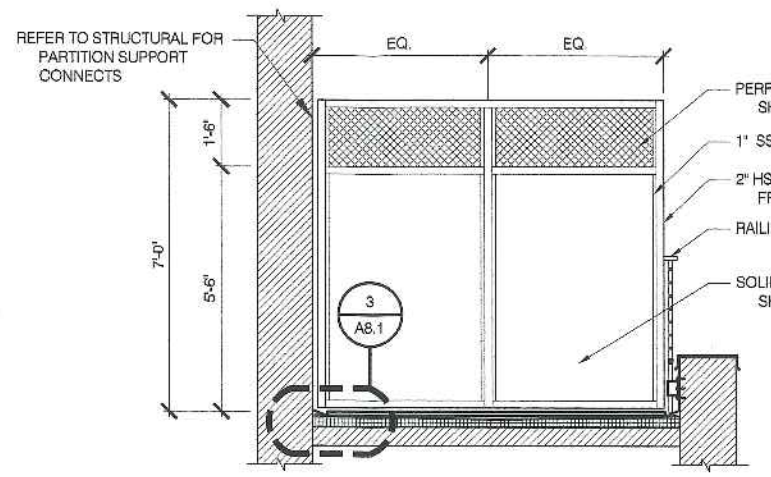


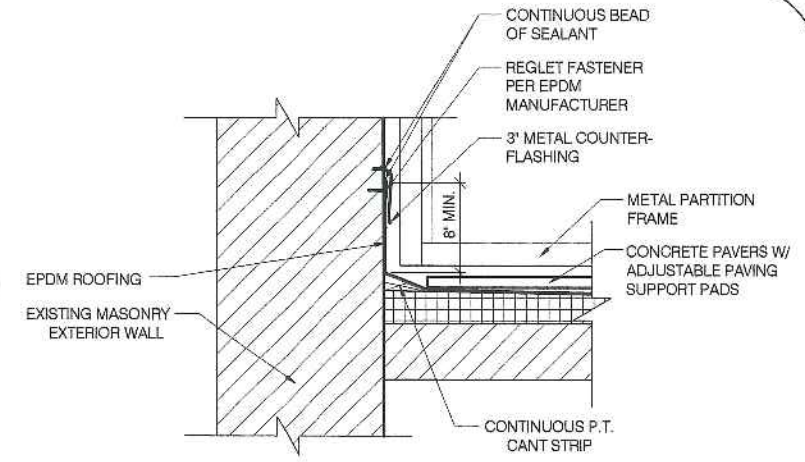
1 PARAPET - RAILING DETAIL
SCALE: 1 1/2" = 1'-0"



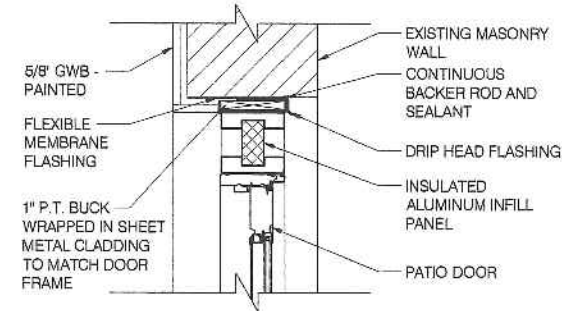
4 DOOR SILL @ PATIO
SCALE: 1 1/2" = 1'-0"



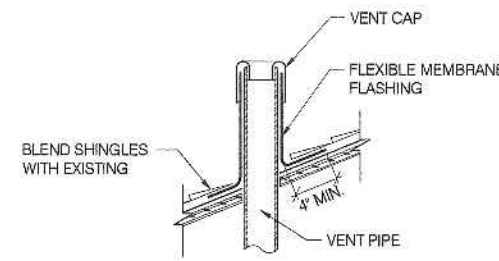
2 PARTITION DETAIL
SCALE: 1/2" = 1'-0"



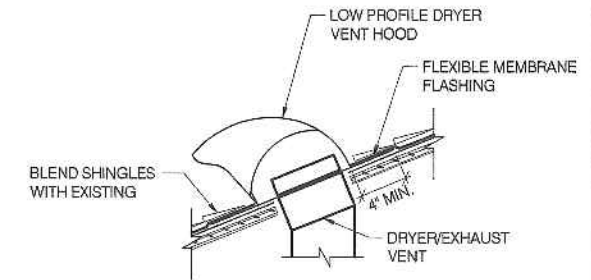
3 ROOF FLASHING DETAIL
SCALE: 1 1/2" = 1'-0"



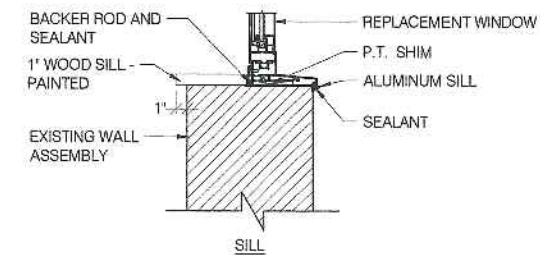
5 DOOR HEAD @ PATIO
SCALE: 1 1/2" = 1'-0"



6 ROOF PENETRATION DETAIL
SCALE: 1 1/2" = 1'-0"



7 ROOF VENT DETAIL
SCALE: 1 1/2" = 1'-0"



8 REPLACEMENT WINDOW SILL DTL - TYP.
SCALE: 1 1/2" = 1'-0"

Bid Architecture
PO Box 8235
Portland, ME 04104
207.498.0168
evan@bidarchitecture.com



PROJECT NO. 15019
PROJECT NAME EAST END LOFTS
PORTLAND, ME 04101

REVISIONS

1	
2	
3	
4	
5	

BUILDING PERMIT SET

DRAWN BY AEW

ISSUE DATE 11/3/15
SHEET SCALE 1 1/2" = 1'-0"

DETAILS

A

8.1