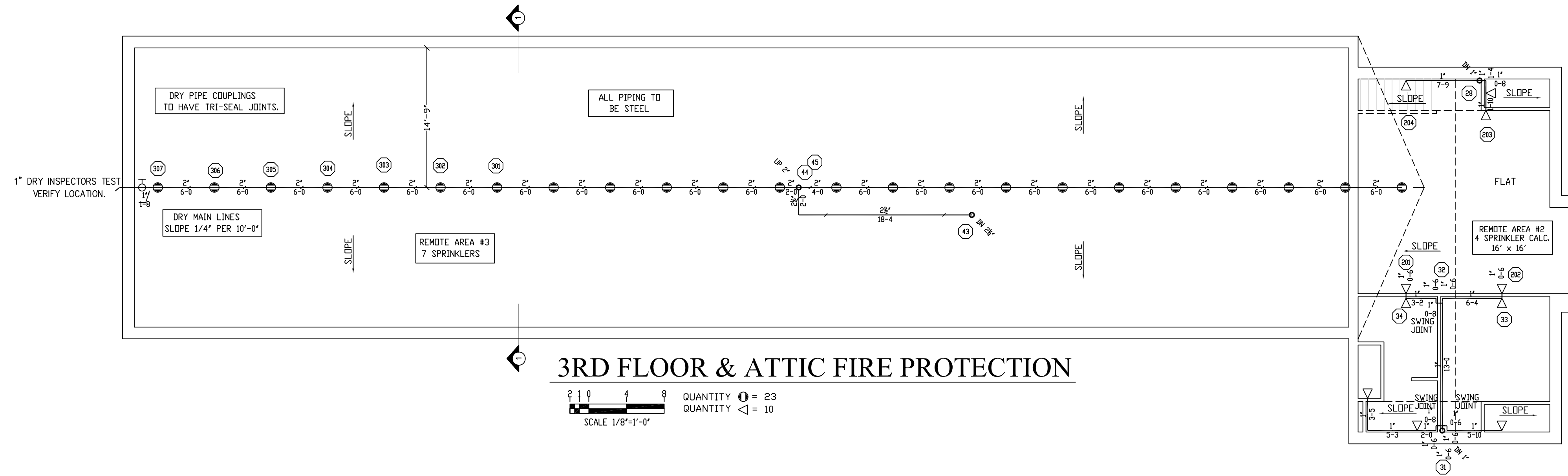
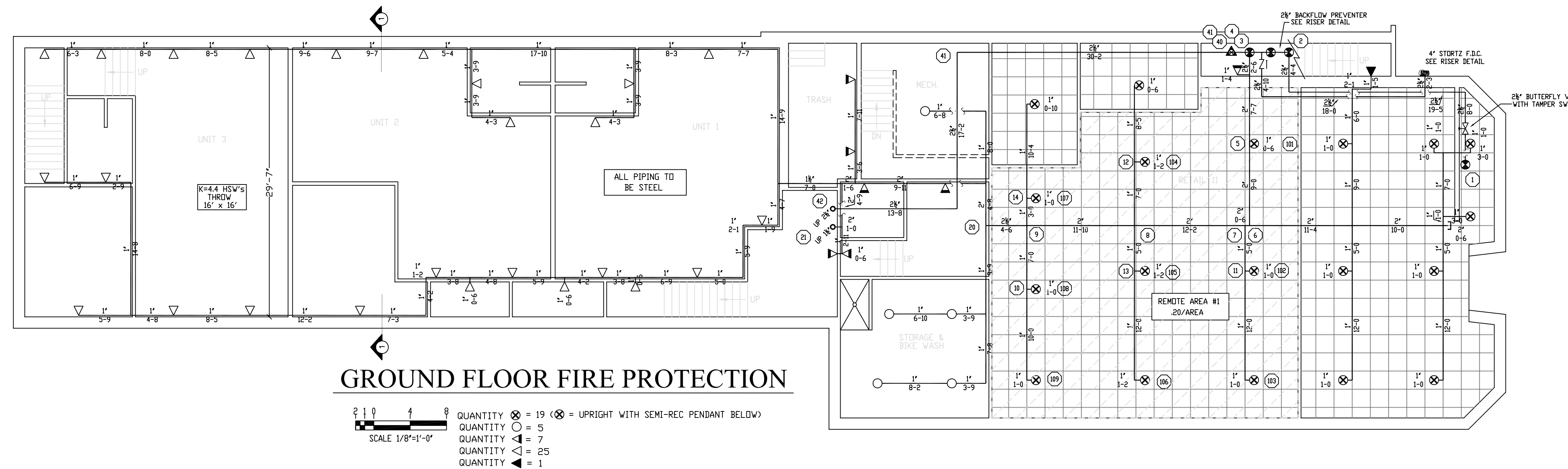
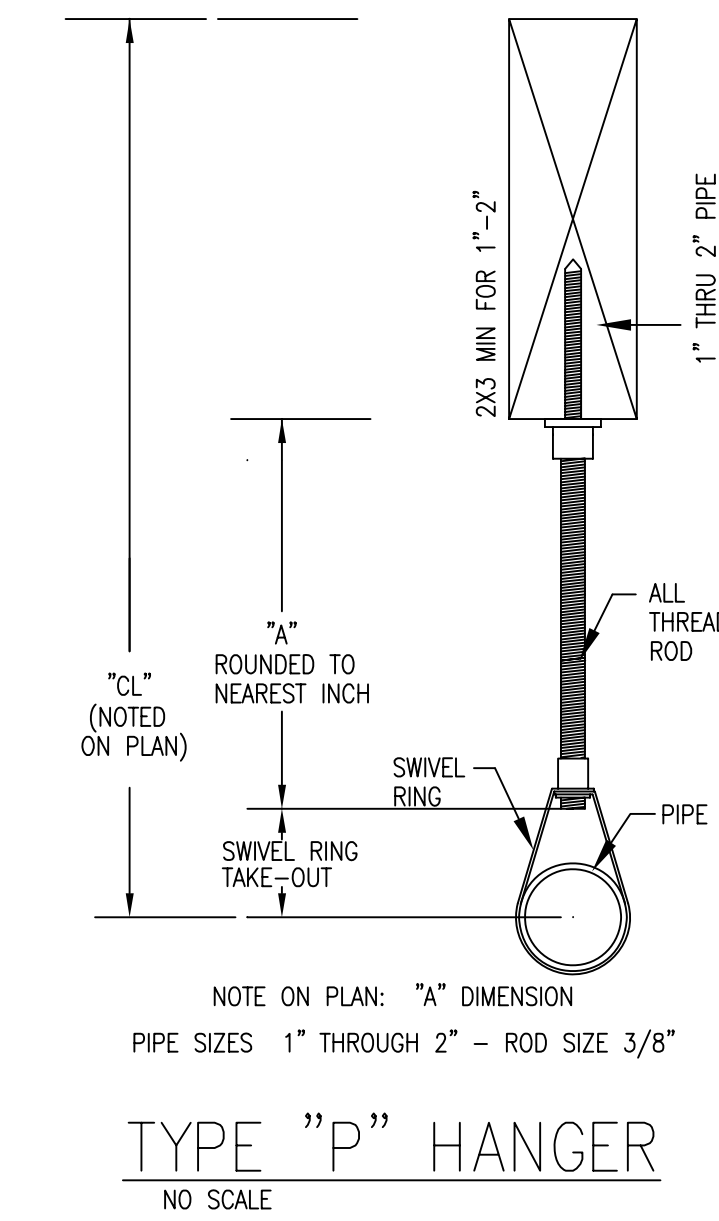
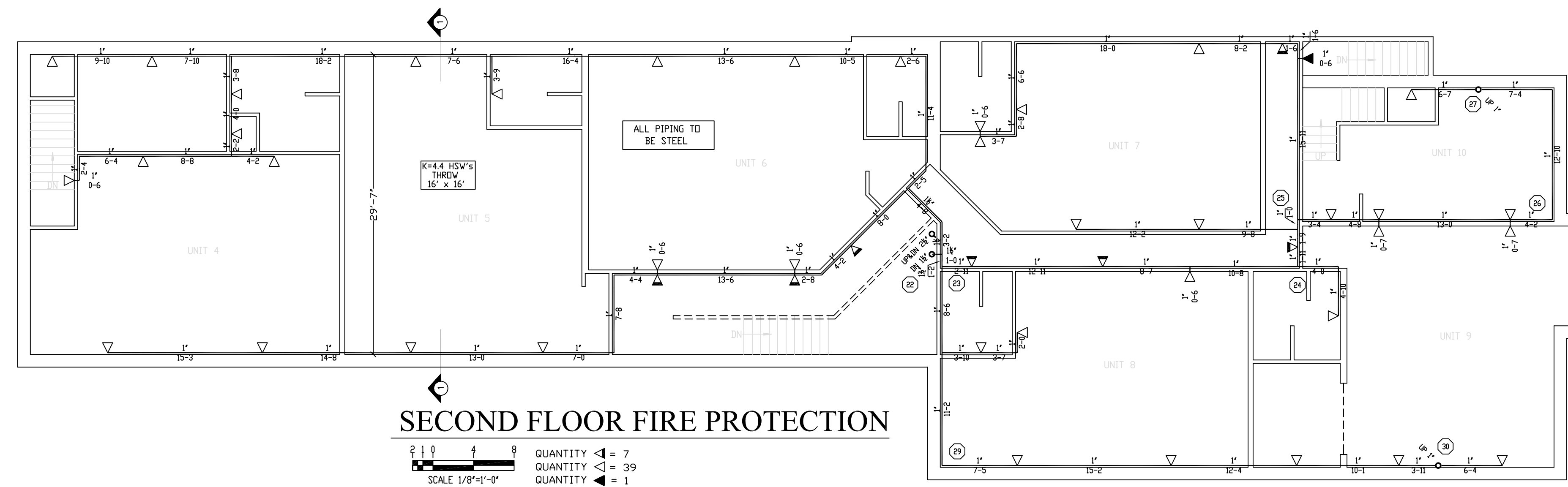


HYDRAULIC DESIGN DATA	
System # & Area	#1 - #3 ATTIC
No. of Sprinklers	7
Density	0.10 GPM
Designed Area	7 SPRINKS
Hose Allowance	100 GPM
Water Flow Rate	280 GPM
Residual Pressure at Base of Riser	79 PSI
Safety Factor at Base of Riser	7.08 PSI



HYDRAULIC DESIGN DATA	
System # & Area	#1 - #2 3RD FLOOR
No. of Sprinklers	4
Density	0.10 GPM
Designed Area	4 SPRINKS
Hose Allowance	N/A GPM
Water Flow Rate	65 GPM
Residual Pressure at Base of Riser	77 PSI
Safety Factor at Base of Riser	8.50 PSI



HYDRAULIC DESIGN DATA	
System # & Area	#1 - #1 GROUND FLOOR
No. of Sprinklers	9
Density	0.20 GPM
Designed Area	AREA
Hose Allowance	250 GPM
Water Flow Rate	502 GPM
Residual Pressure at Base of Riser	73 PSI
Safety Factor at Base of Riser	13.35 PSI

REVISIONS	NOTES	SPRINKLER TYPE	IDENTIFICATION NO.	MFG.	ESC.	MODEL	FINISH	ORIFICE	TEMP.	SYMBOL	QUANT.
	K=5.6 UPRIGHT & PENDANT SPRINKLER COVERAGE: 15'X15'	ATTIC SPRINKLER K= 5.6	TY3180	TYCO	N/A	BB1	BRASS	1/2"	212°	○	23
	K=5.6 SIDEWALL SPRINKLER COVERAGE: 14'X14'	QUICK RESP. UPRIGHT K= 5.6	TY3131	TYCO	N/A	TY-FRB	BRASS	1/2"	155°	○	24
	K=4.4 SIDEWALL SPRINKLER COVERAGE: 16'X16'	QUICK RESP. PENDANT K= 5.6	TY3231	TYCO	2 PIECE	TY-FRB	WHITE	1/2"	155°	○	19
		QUICK RESP. SIDEWALL K= 5.6	N/A	TYCO	N/A	TY-FRB	BRASS	1/2"	155°	○	14
		QUICK RESP. SIDEWALL K= 4.4	TY2334	TYCO	2 PIECE	LF31	WHITE	1/2"	155°	○	74
		DRY SIDEWALL K= 5.6	TY 3335	TYCO	N/A	DS-1	BRASS	1/2"	155°	○	2
		TOTAL SPRINKLERS THIS DRAWING								156	

STANDARD SYMBOLS		STANDARD SYMBOLS	
○	POST INDICATOR VALVE	○	ALARM CHECK VALVE
○	KEY VALVE	○	RISER W/ALARM VALVE
○	FIRE HYDRANT	○	RISER W/DELEG. FLOW SWITCH
○	FIRE DEPT. CONNECTION	○	RISER W/ELEC. FLOW SWITCH
○	O.S. & Y GATE VALVE	○	RISER W/DELUGE VALVE
○	SWING CHECK VALVE	○	WATER MOTOR BELL
○	NEW UNDERGROUND	○	ELECTRIC BELL
○	EXIST UNDERGROUND	○	FLUSH FIRE DEPT. CONNECTION

INSPECTIONS	
1.	
2.	
3.	
4.	
5.	
RESPONSIBLE MANAGING SUPERVISOR #348	
CONTRACTOR LICENSE #295	

EAST END LOFTS
273 CONGRESS STREET
PORTLAND, MAINE 04101

FIRE PROTECTION PLAN

FREEDOM FIRE PROTECTION, INC.
209 QUAKER RIDGE ROAD
CASCO, MAINE 04015

JOB No.	M0244
DATE	5/6/16
DRAWN BY	MJN
SCALE	AS NOTED
SHEET No.	FP-2 of 2