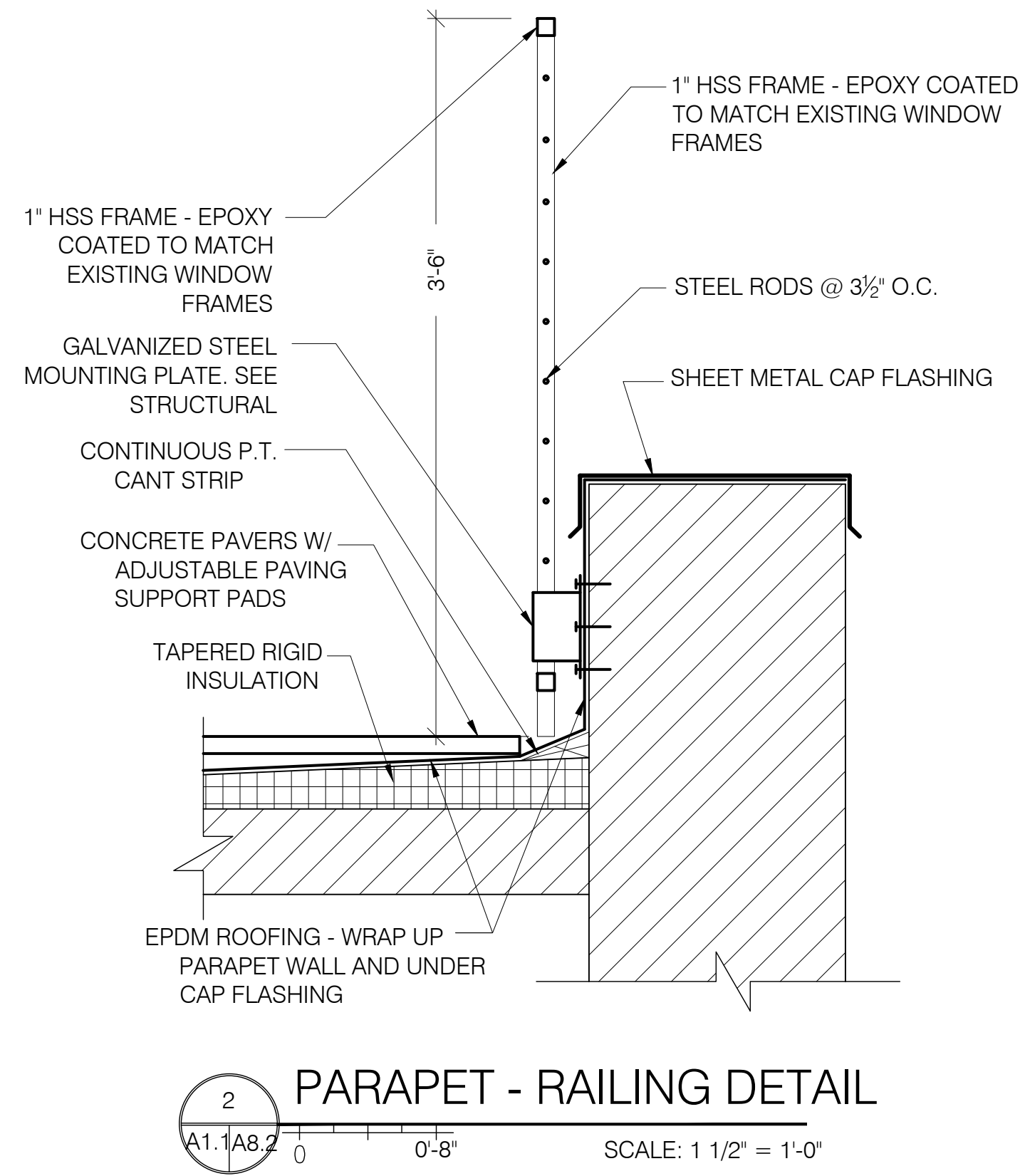
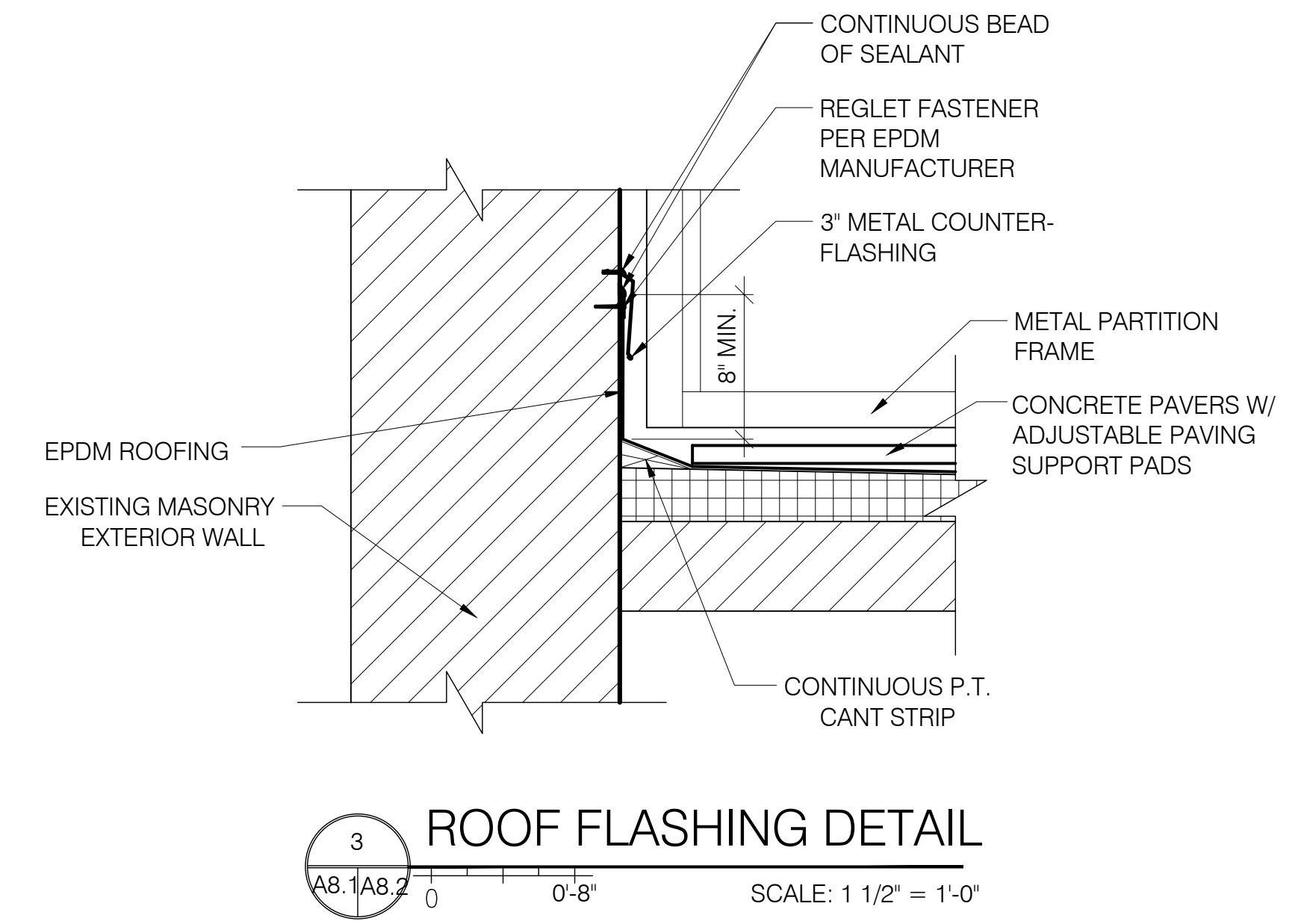


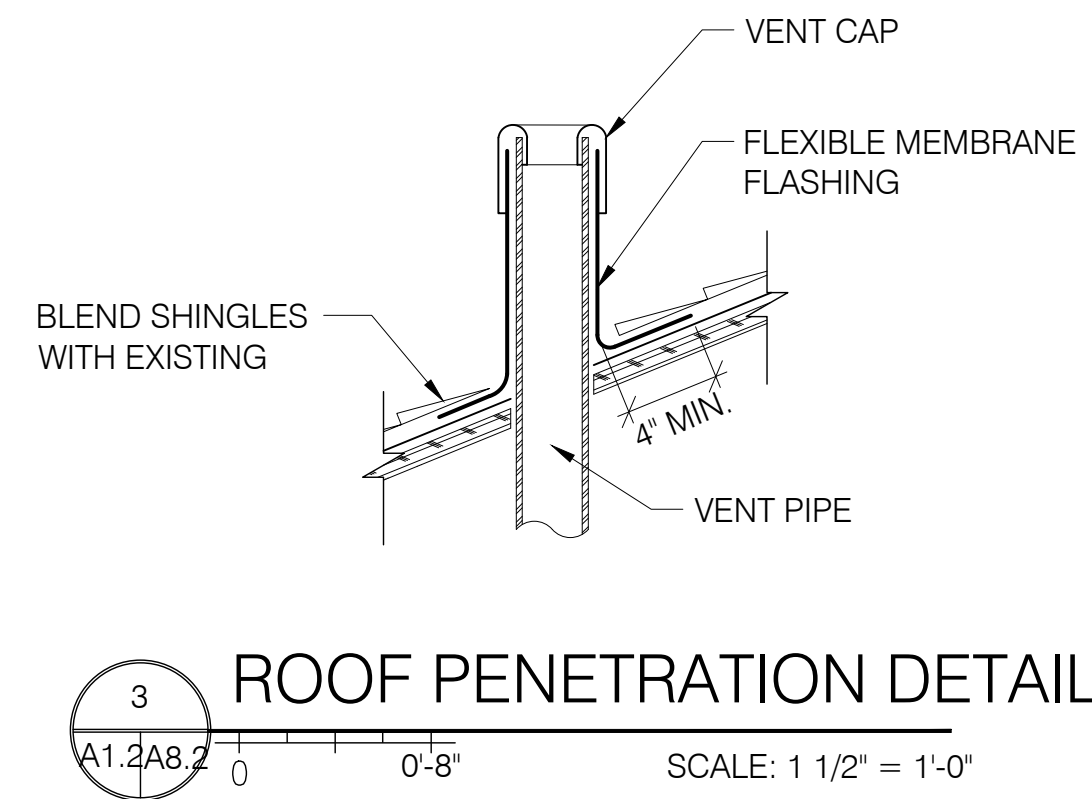
1 PATIO SECTION B-B
SCALE: 1/2" = 1'-0"



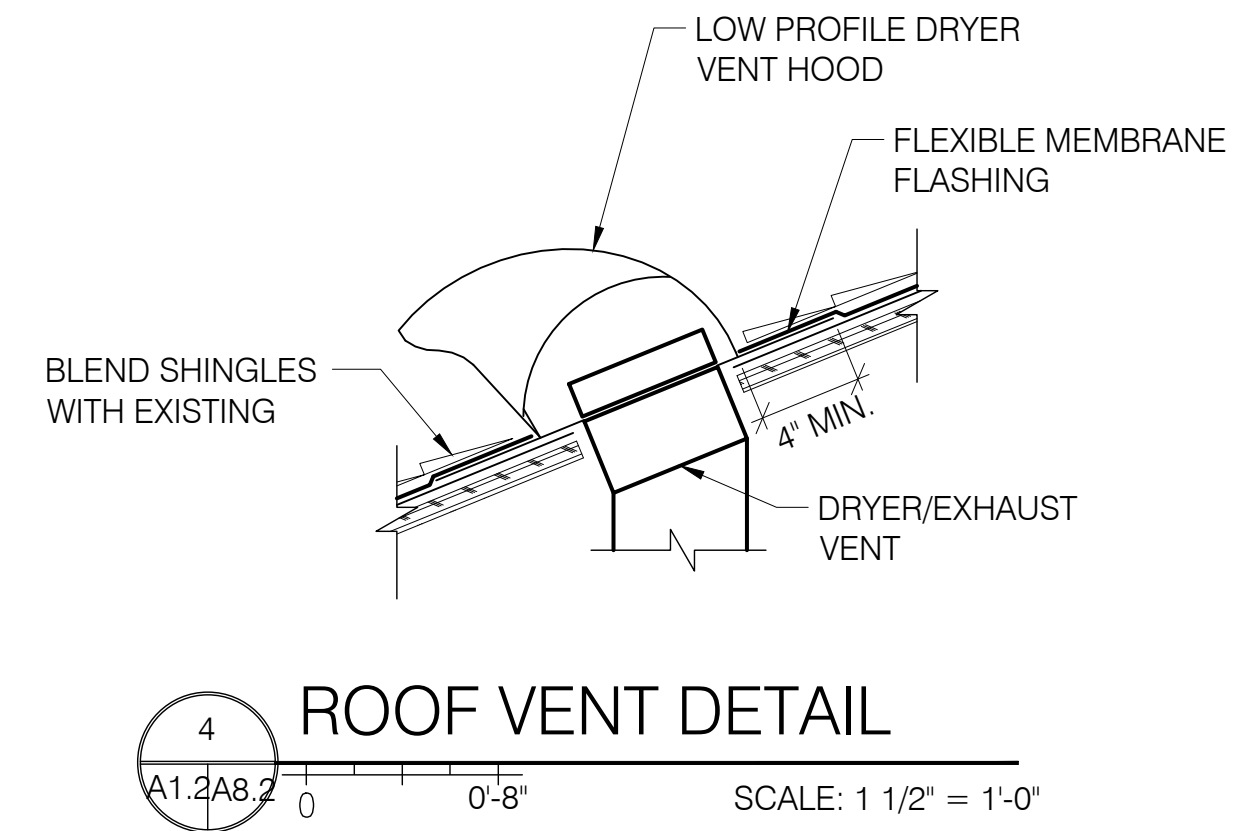
2 PARAPET - RAILING DETAIL
SCALE: 1 1/2" = 1'-0"



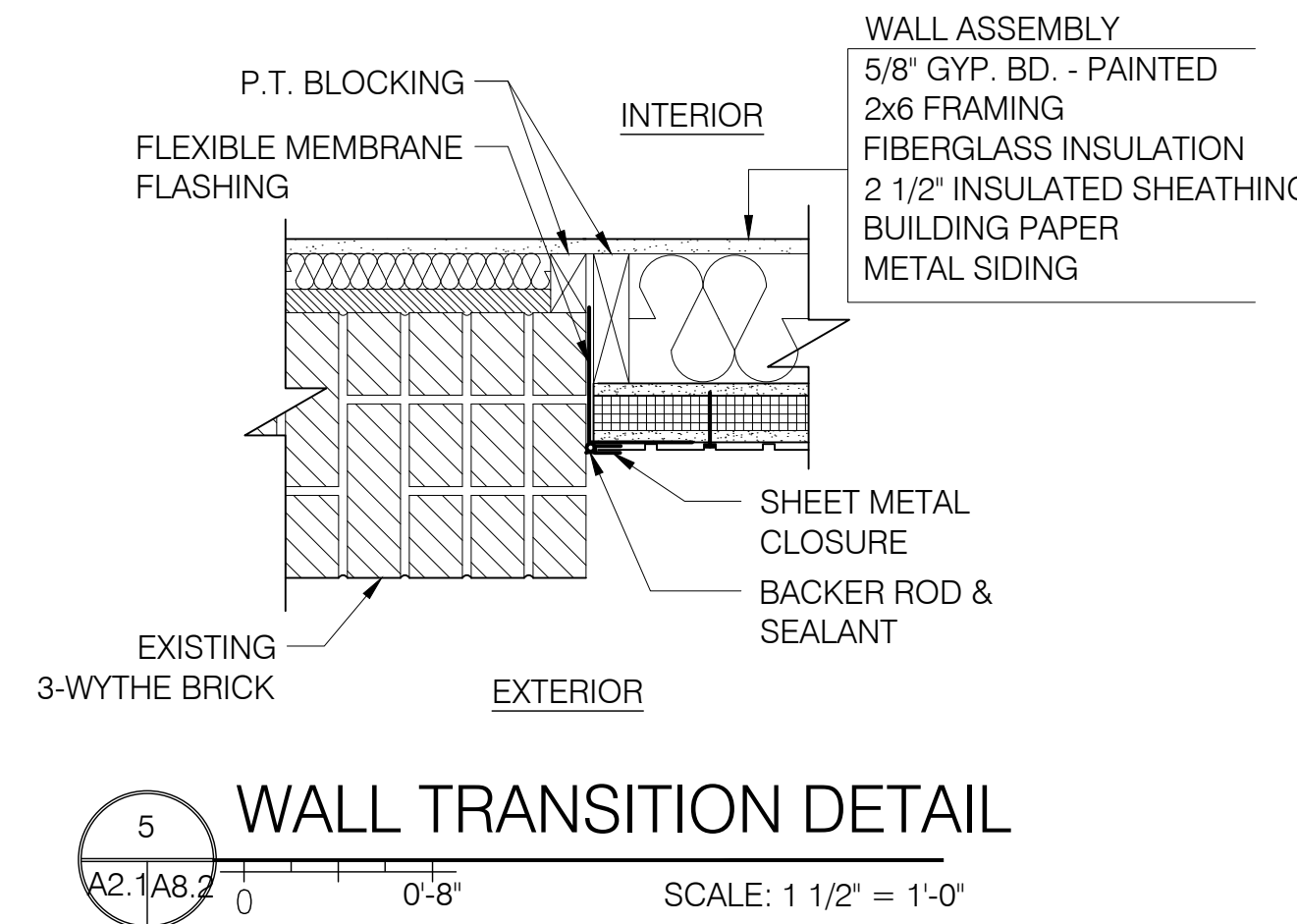
3 ROOF FLASHING DETAIL
SCALE: 1 1/2" = 1'-0"



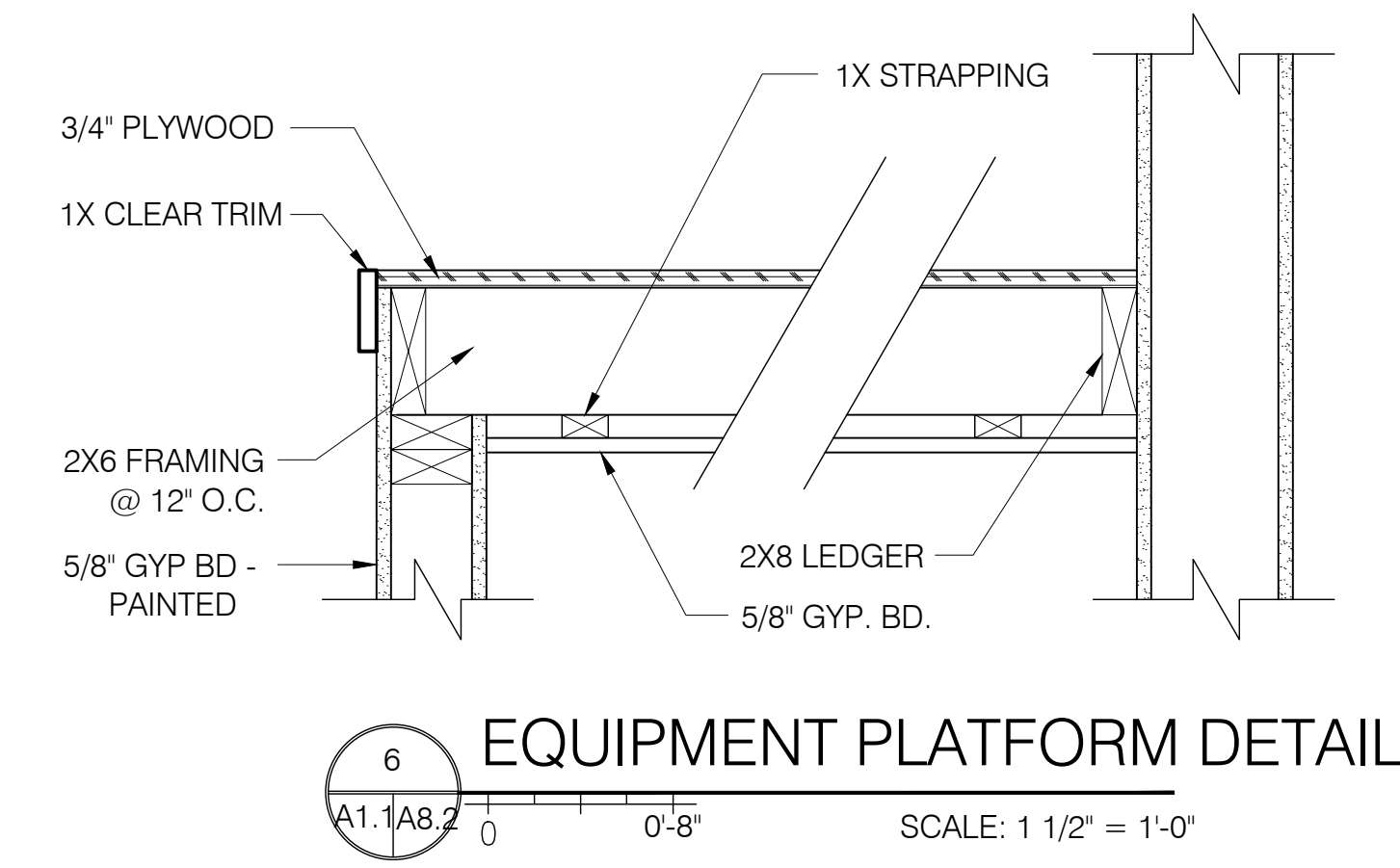
3 ROOF PENETRATION DETAIL
SCALE: 1 1/2" = 1'-0"



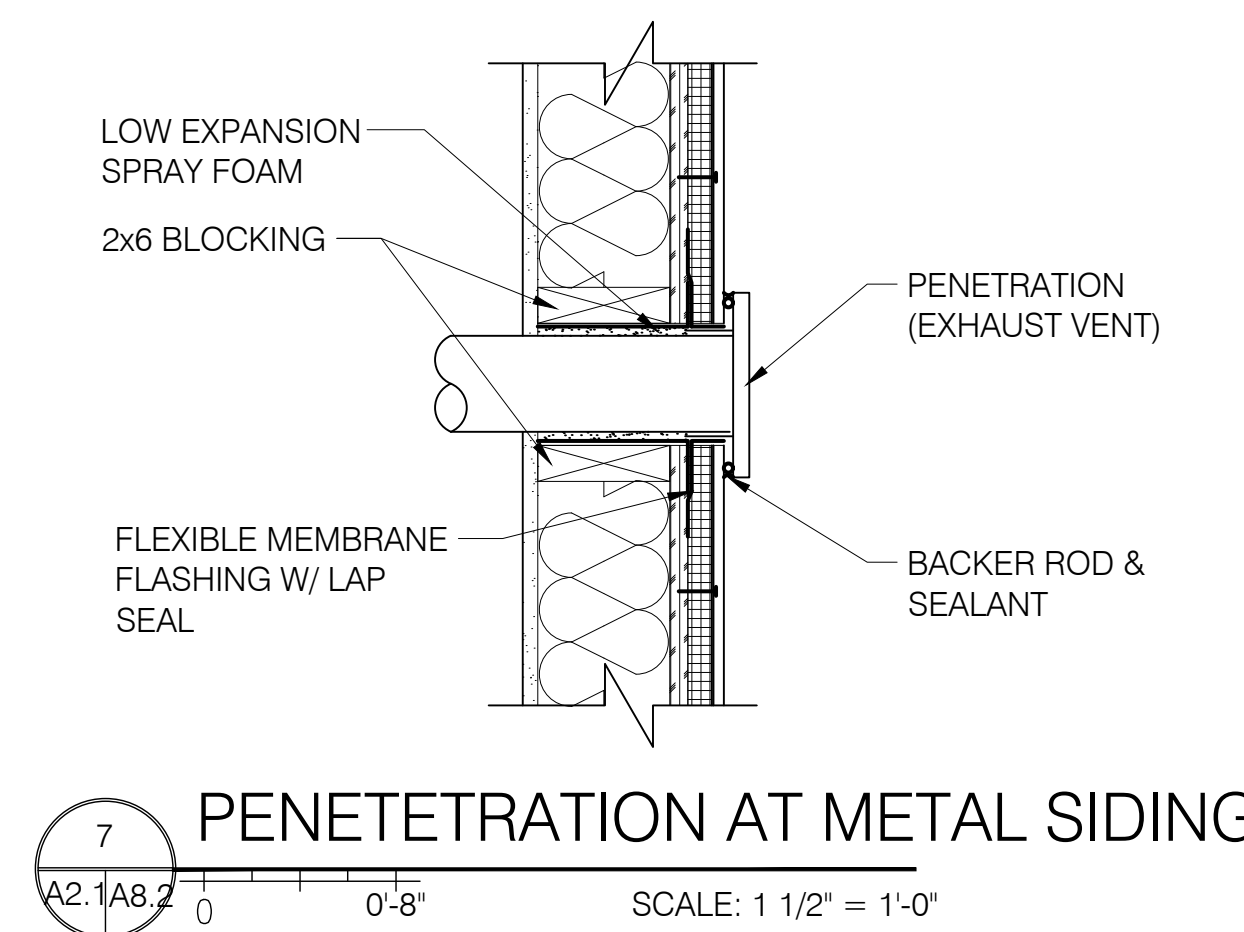
4 ROOF VENT DETAIL
SCALE: 1 1/2" = 1'-0"



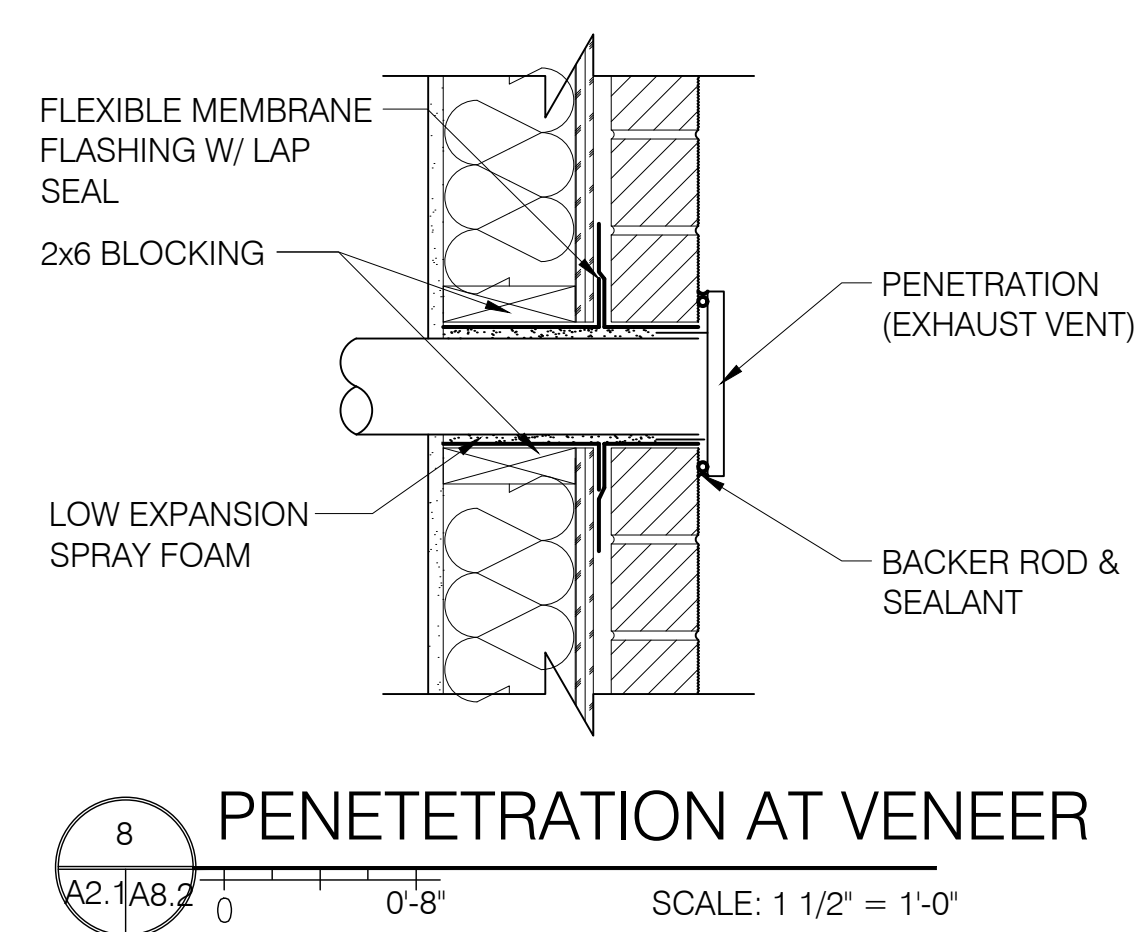
5 WALL TRANSITION DETAIL
SCALE: 1 1/2" = 1'-0"



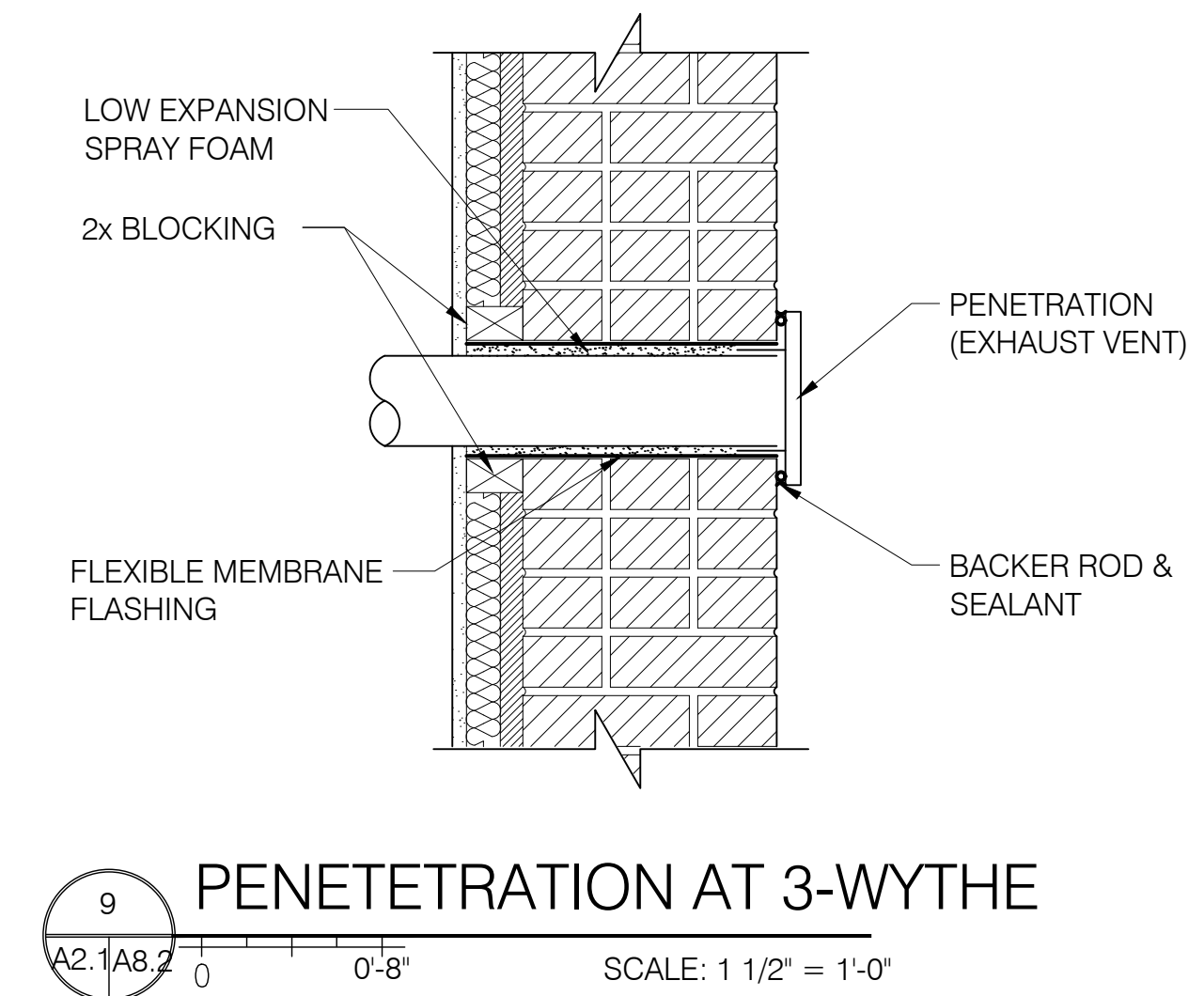
6 EQUIPMENT PLATFORM DETAIL
SCALE: 1 1/2" = 1'-0"



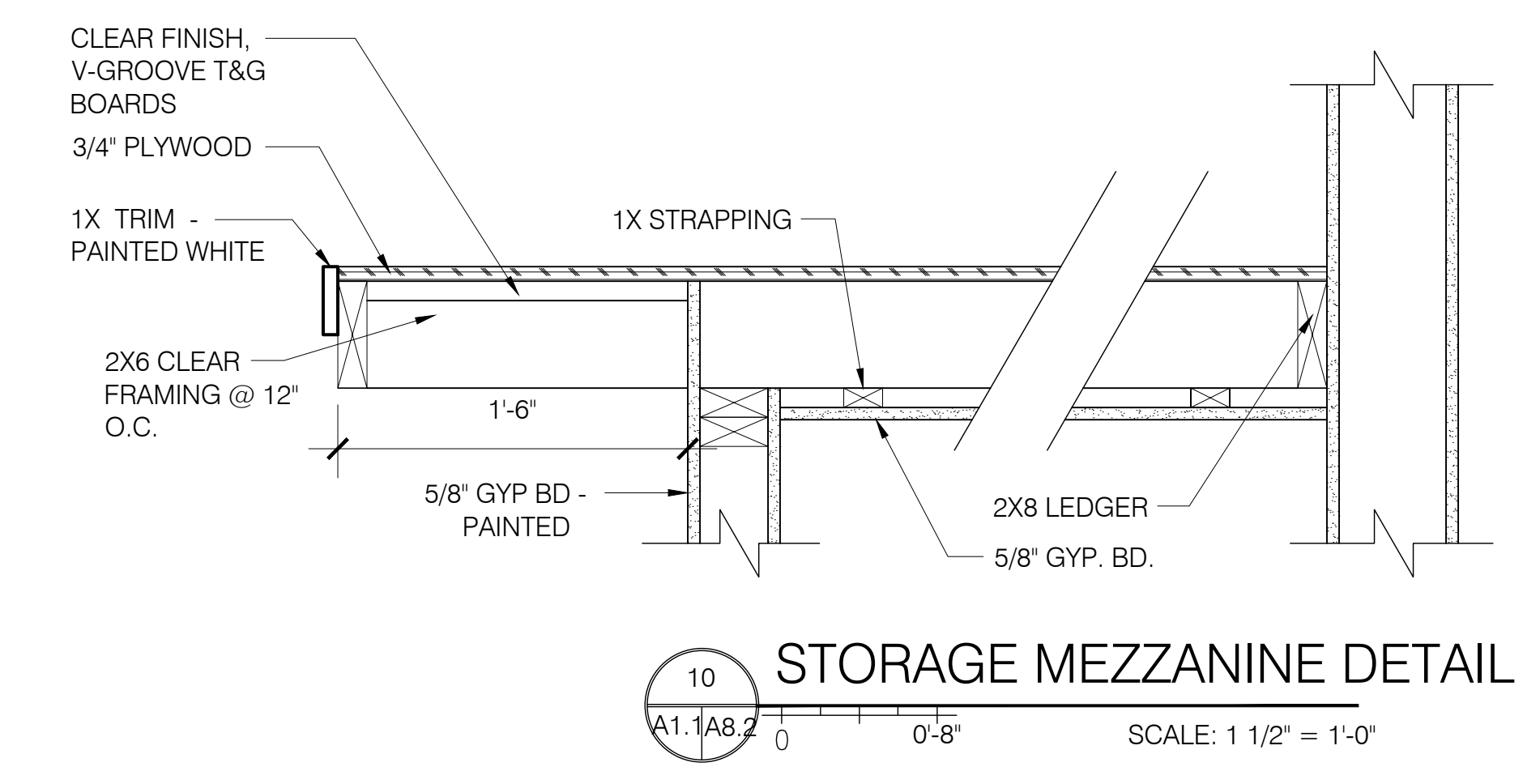
7 PENETRATION AT METAL SIDING
SCALE: 1 1/2" = 1'-0"



8 PENETRATION AT VENEER
SCALE: 1 1/2" = 1'-0"



9 PENETRATION AT 3-WYTHE
SCALE: 1 1/2" = 1'-0"



10 STORAGE MEZZANINE DETAIL
SCALE: 1 1/2" = 1'-0"