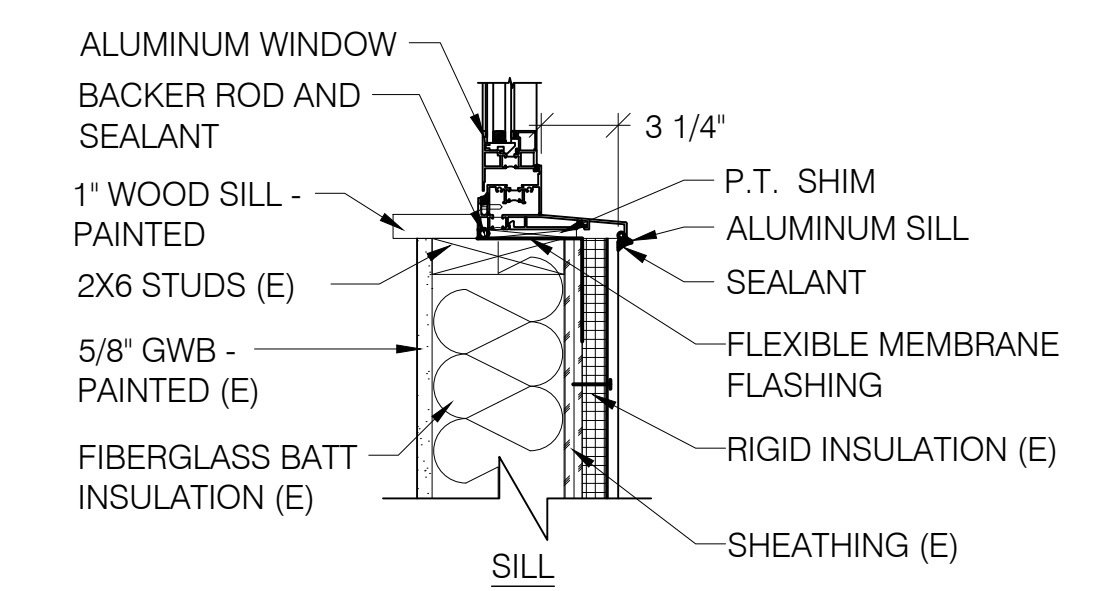
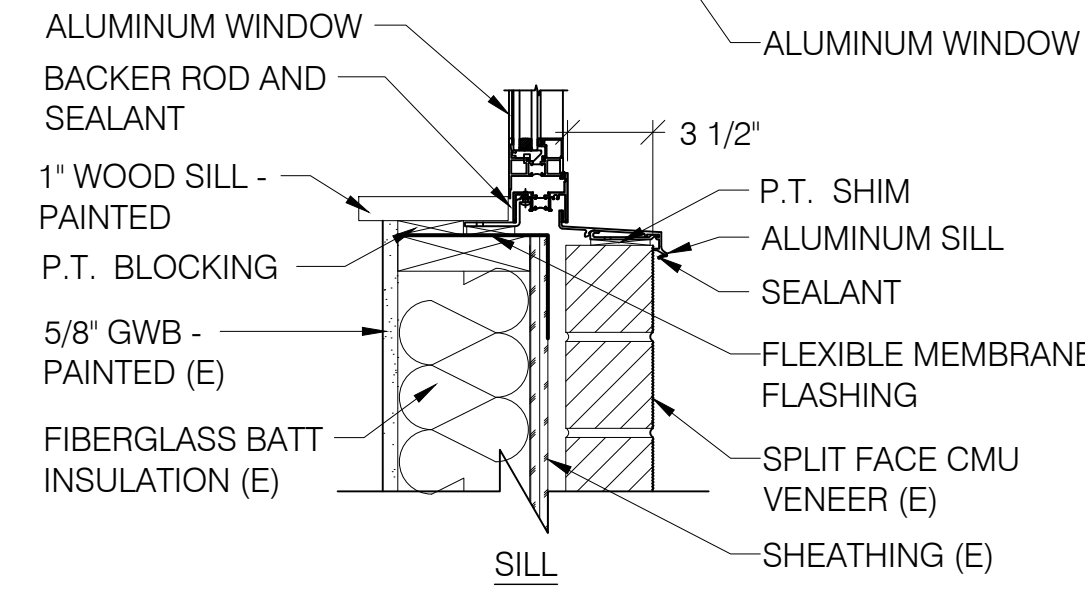
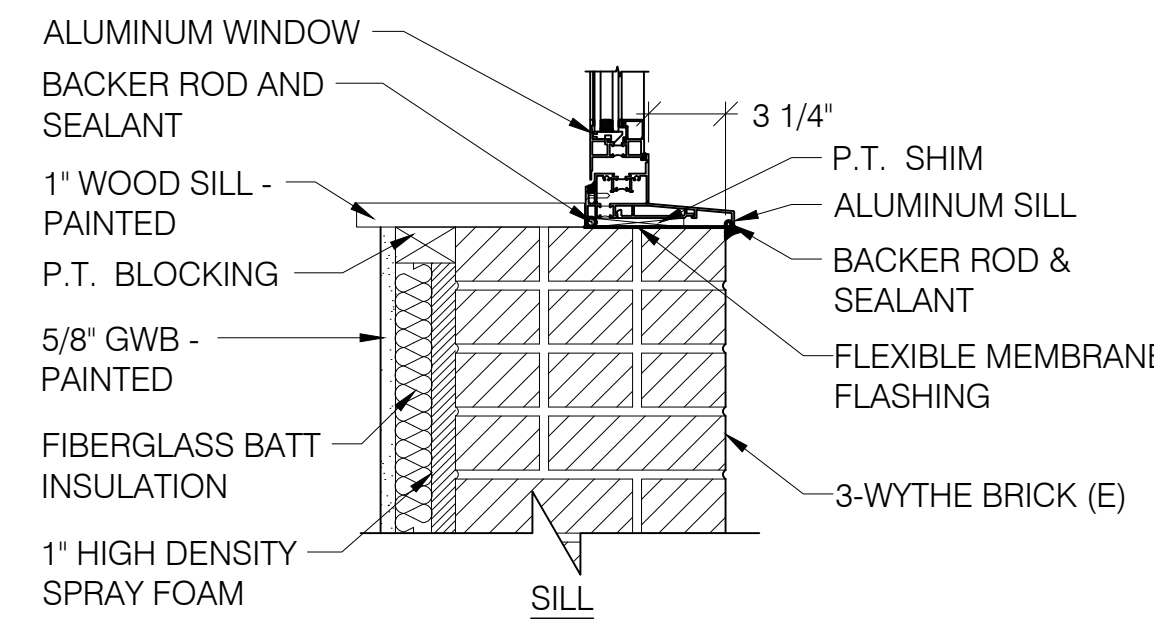
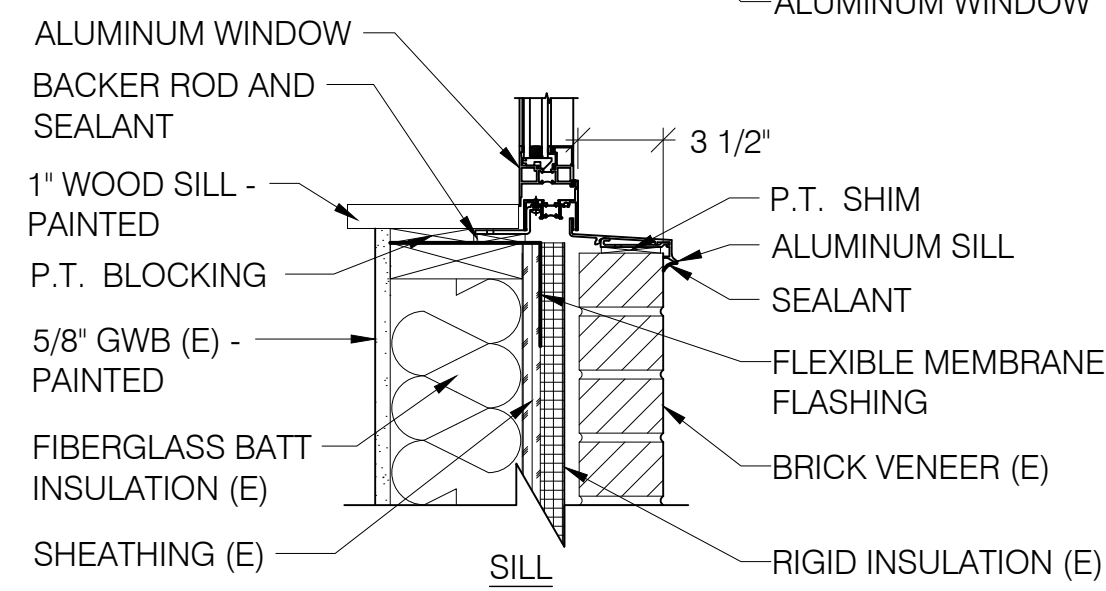
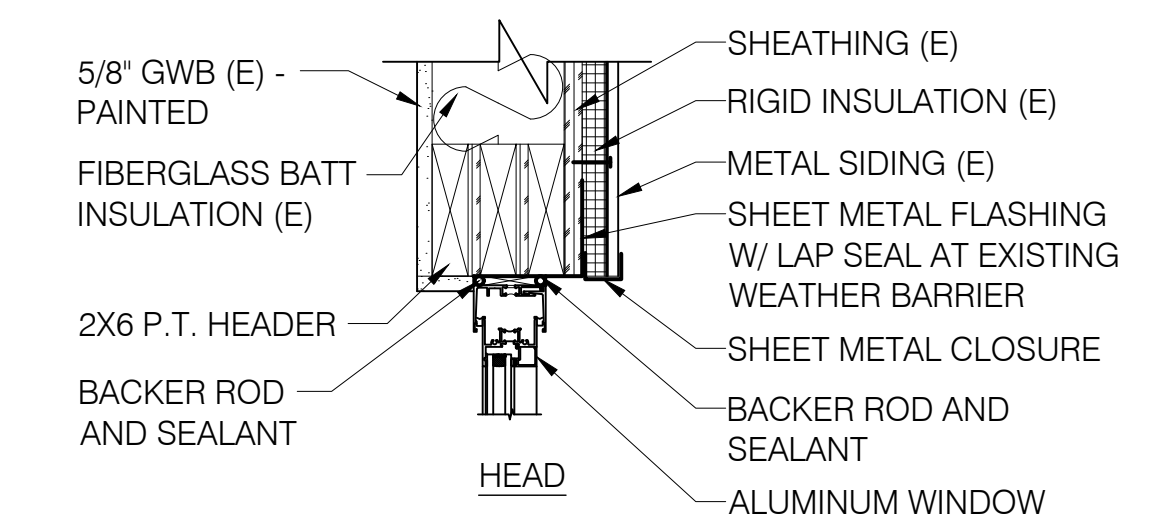
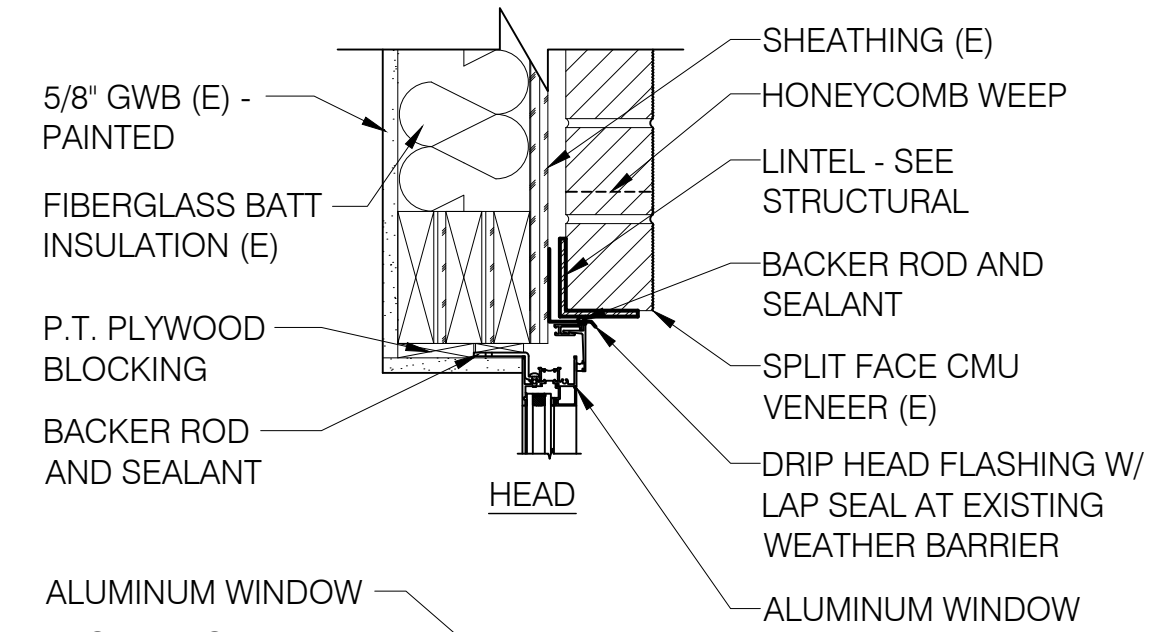
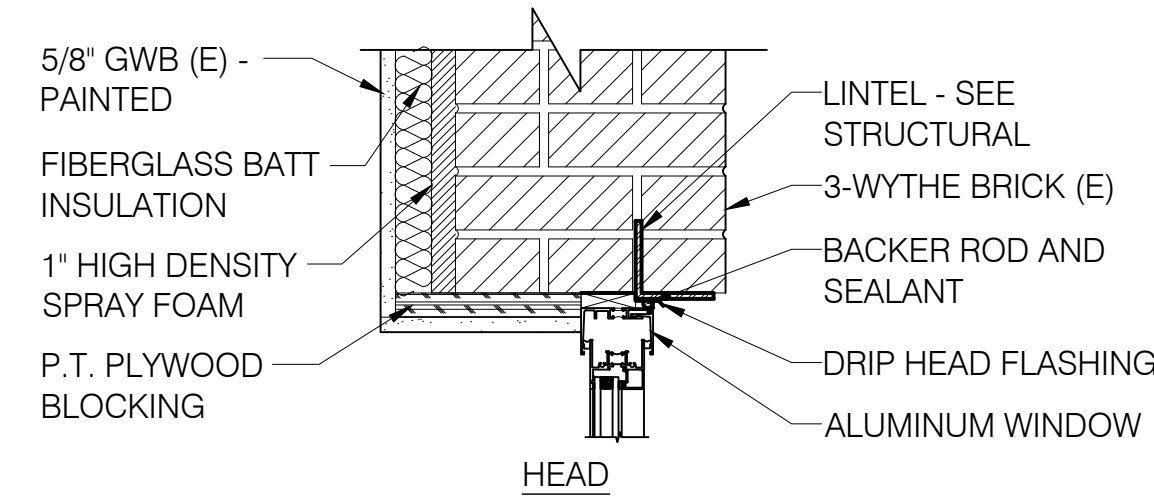
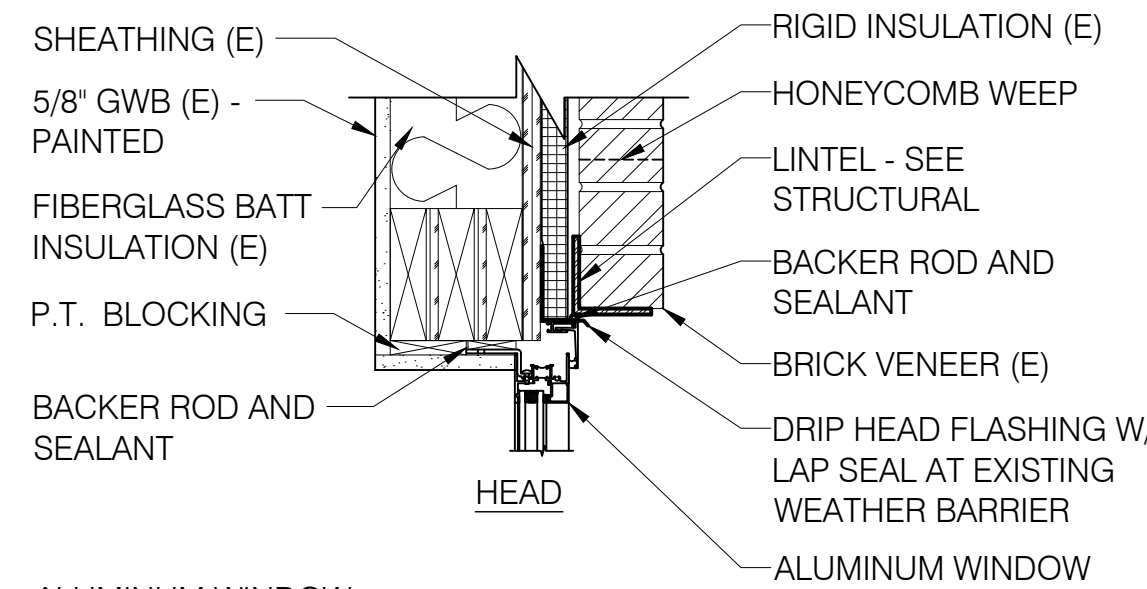
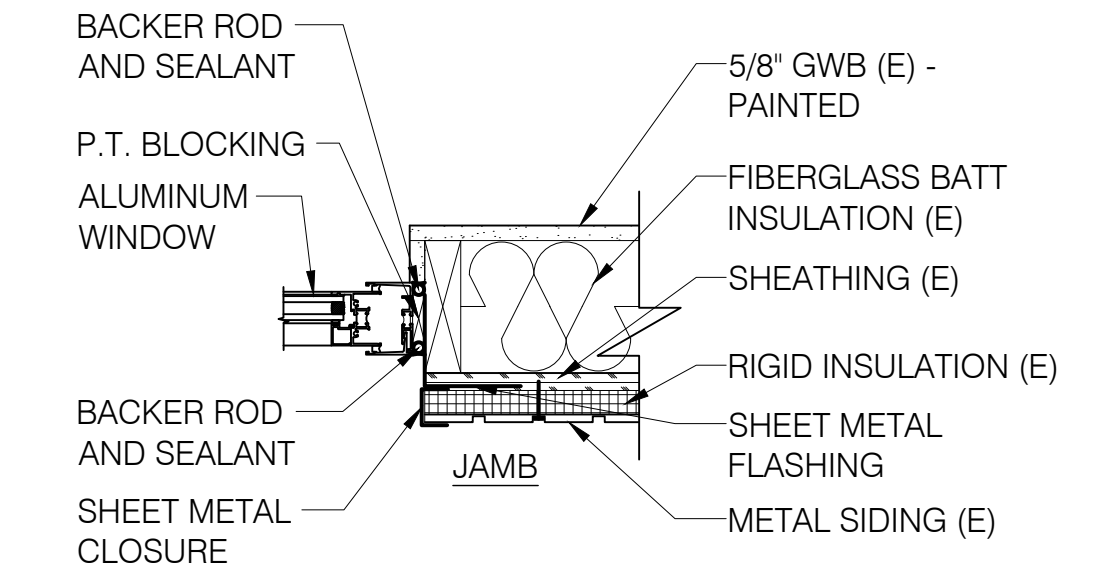
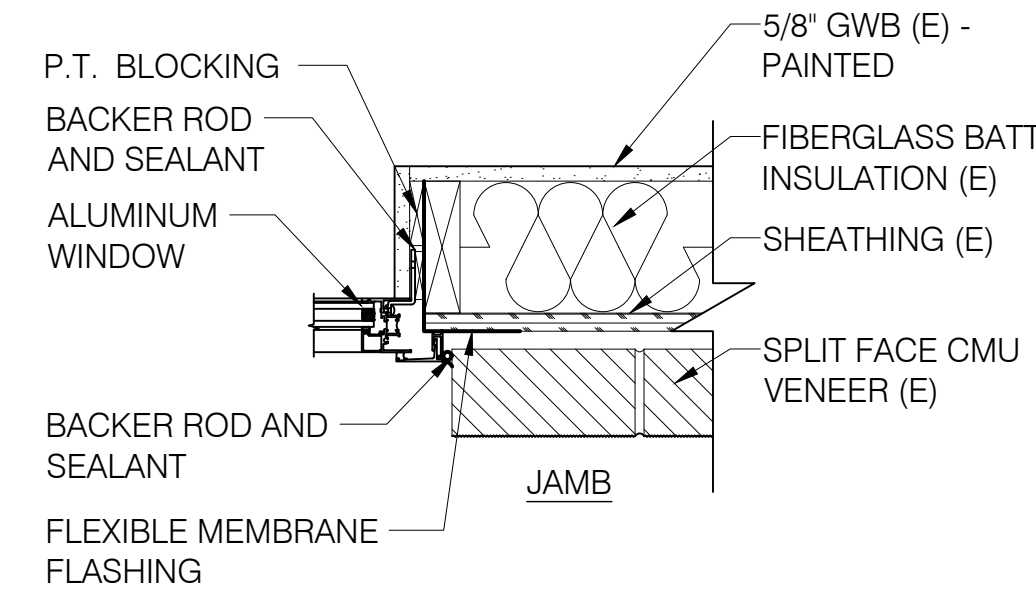
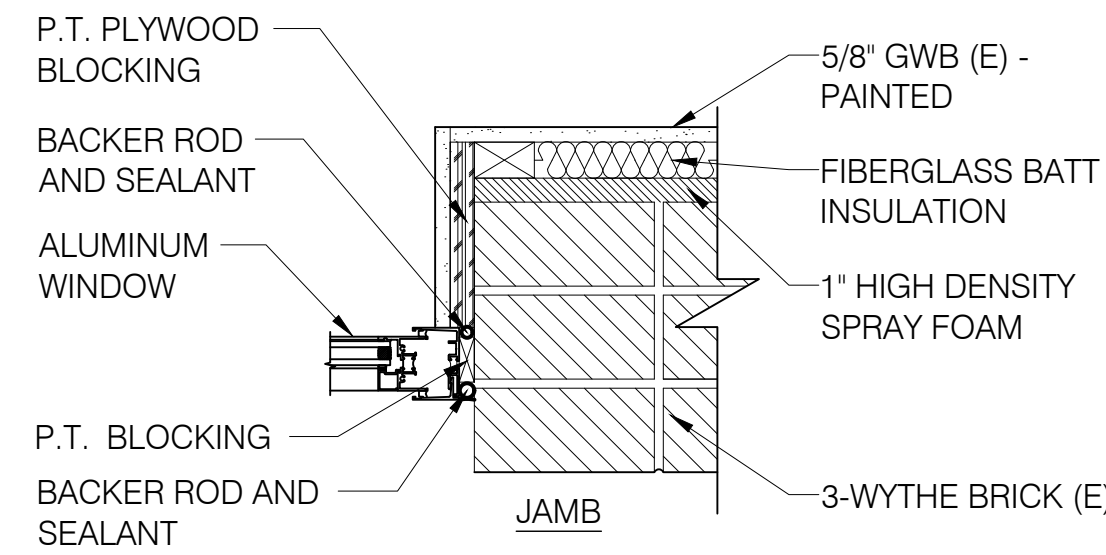
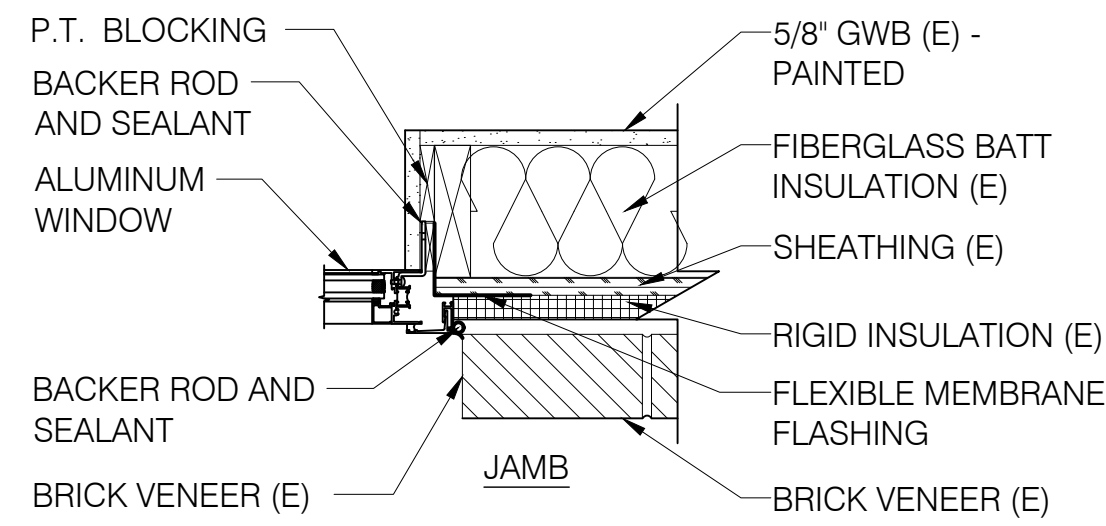


COPYRIGHT: Reuse or reproduction of the contents of this document is not permitted without written permission of Bild Architecture LLC

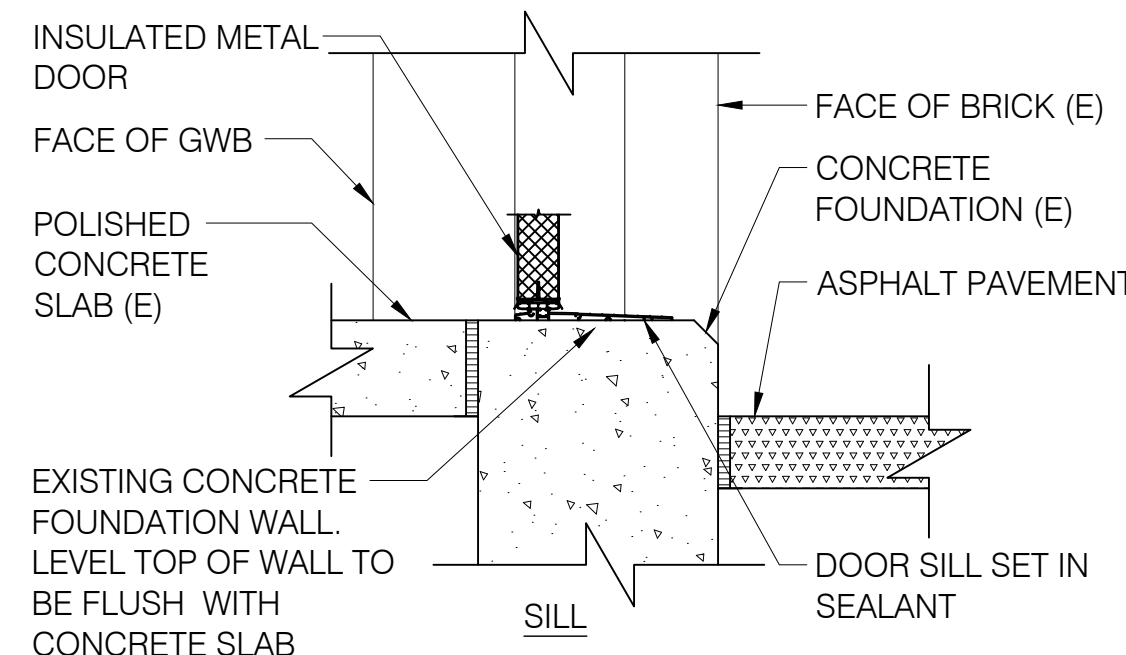
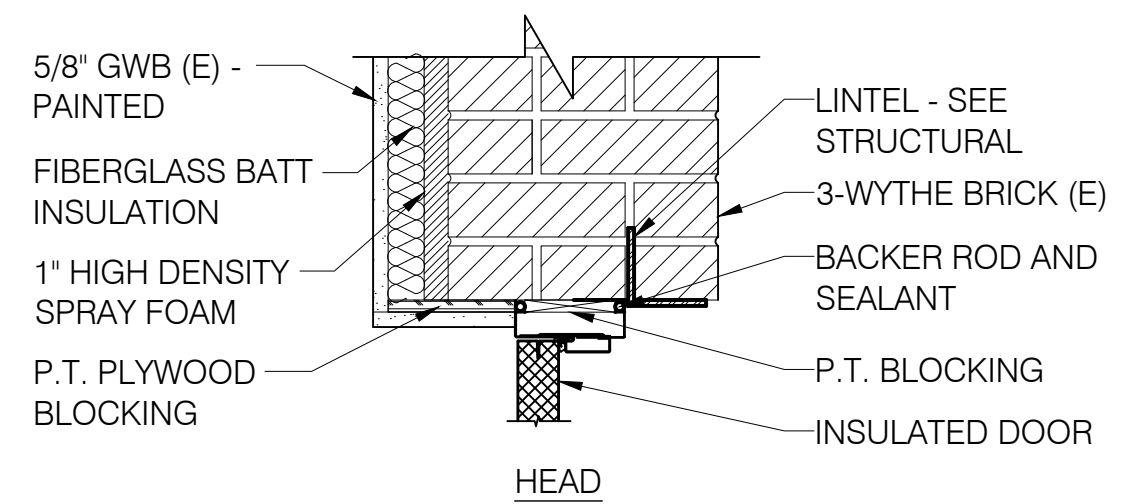


**1 WINDOW DETAILS @ BRICK VENEER**  
 SCALE: 1 1/2" = 1'-0"

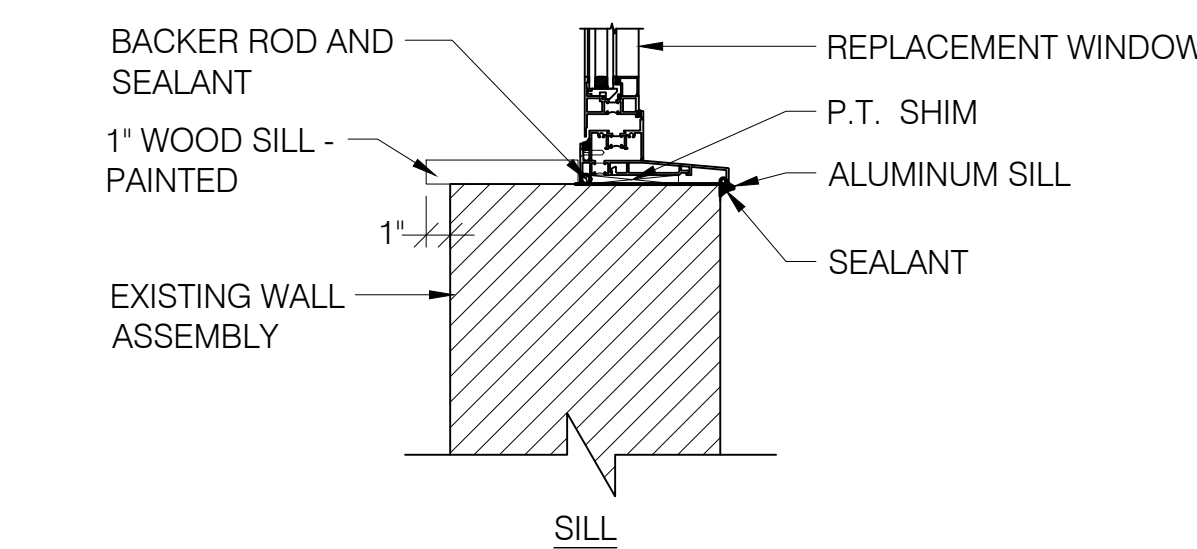
**2 WINDOW DETAILS @ 3 WYTHE BRICK**  
 SCALE: 1 1/2" = 1'-0"

**3 WINDOW DETAILS SPLIT FACE VENEER**  
 SCALE: 1 1/2" = 1'-0"

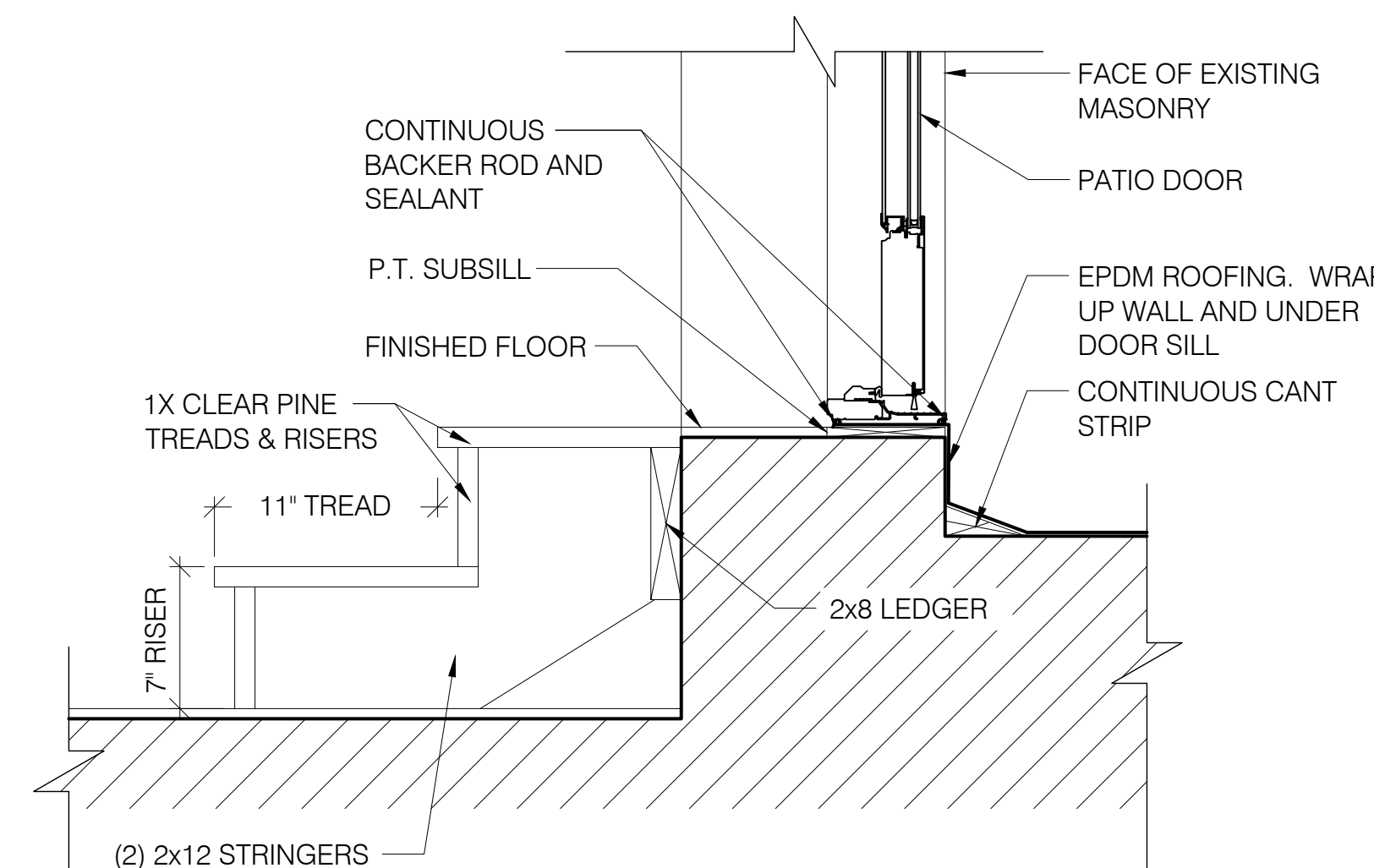
**4 WINDOW DETAILS @ METAL SIDING**  
 SCALE: 1 1/2" = 1'-0"



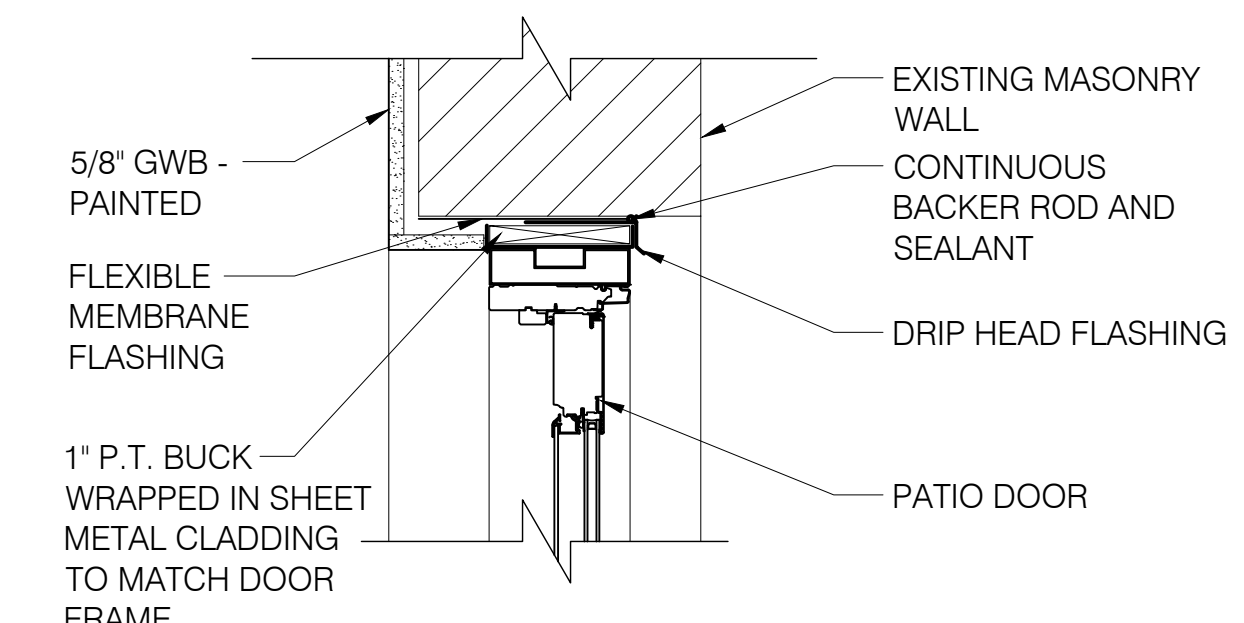
**5 DOOR DETAILS @ 3 WYTHE BRICK**  
 SCALE: 1 1/2" = 1'-0"



**6 REPLACEMENT WINDOW SILL DTL - TYP.**  
 SCALE: 1 1/2" = 1'-0"



**7 DOOR SILL @ PATIO**  
 SCALE: 1 1/2" = 1'-0"



**8 DOOR HEAD @ PATIO**  
 SCALE: 1 1/2" = 1'-0"