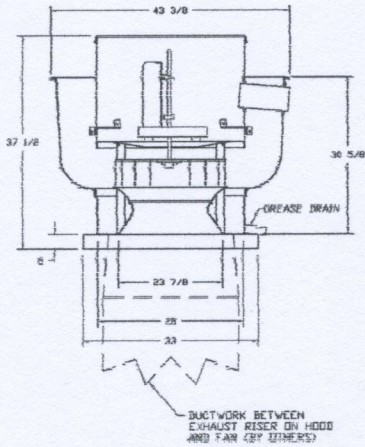


FAN #1 NCA24HPFA - EXHAUST FAN



**FEATURES:**

- ROOF MOUNTED FANS
- RESTAURANT MODEL
- 18.705 AND 18.762
- ANCA SOUND AND AIR CERTIFIED
- WIRING FROM MOTOR TO DISCONNECT SWITCH
- WEATHERPROOF DISCONNECT
- HIGH HEAT OPERATION 500°F (260°C)
- GREASE CLASSIFICATION TESTING

**NORMAL TEMPERATURE TEST**  
 EXHAUST FAN MUST OPERATE CONTINUOUSLY WHILE EXHAUSTING AIR AT 300°F (149°C) UNTIL ALL FAN PARTS HAVE REACHED THERMAL EQUILIBRIUM, AND WITHOUT ANY DEGRADATING EFFECTS TO THE FAN WHICH WOULD CAUSE UNSAFE OPERATION.

**ADDITIONAL FLARE-UP TEST**  
 EXHAUST FAN MUST OPERATE CONTINUOUSLY WHILE EXHAUSTING BURNING GREASE VAPORS AT 500°F (260°C) FOR A PERIOD OF 15 MINUTES WITHOUT THE FAN BECOMING DAMAGED TO ANY EXTENT THAT COULD CAUSE AN UNSAFE CONDITION.

**OPTIONS**

- GREASE BOX**
- 3 YEAR EXTENDED MOTOR WARRANTY
- FAN BASE CERAMIC SEAL - SHIP LOOSE - FOR GREASE DUCTS
- HINGE KIT (HK) - SHIPS LOOSE FOR CURB SUPPLIED BY OTHERS

CUSTOMER APPROVAL TO MANUFACTURE:

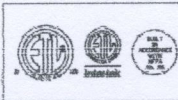
Approved as Noted

Approved with NO Exception Taken

Revised and Rebuilt

SIGNATURE \_\_\_\_\_ Date \_\_\_\_\_

Your Title \_\_\_\_\_ Date \_\_\_\_\_



**CAPTIVEAIRE**

JOB: Uncle Billy BBQ r1	
LOCATION: POLAND, ME.	
DATE: 6/21/2017	JOB #: 3121910
DWG #: 7	DRAWN BY: BFC-21
REV.	SCALE: 3/8" = 1'-0"